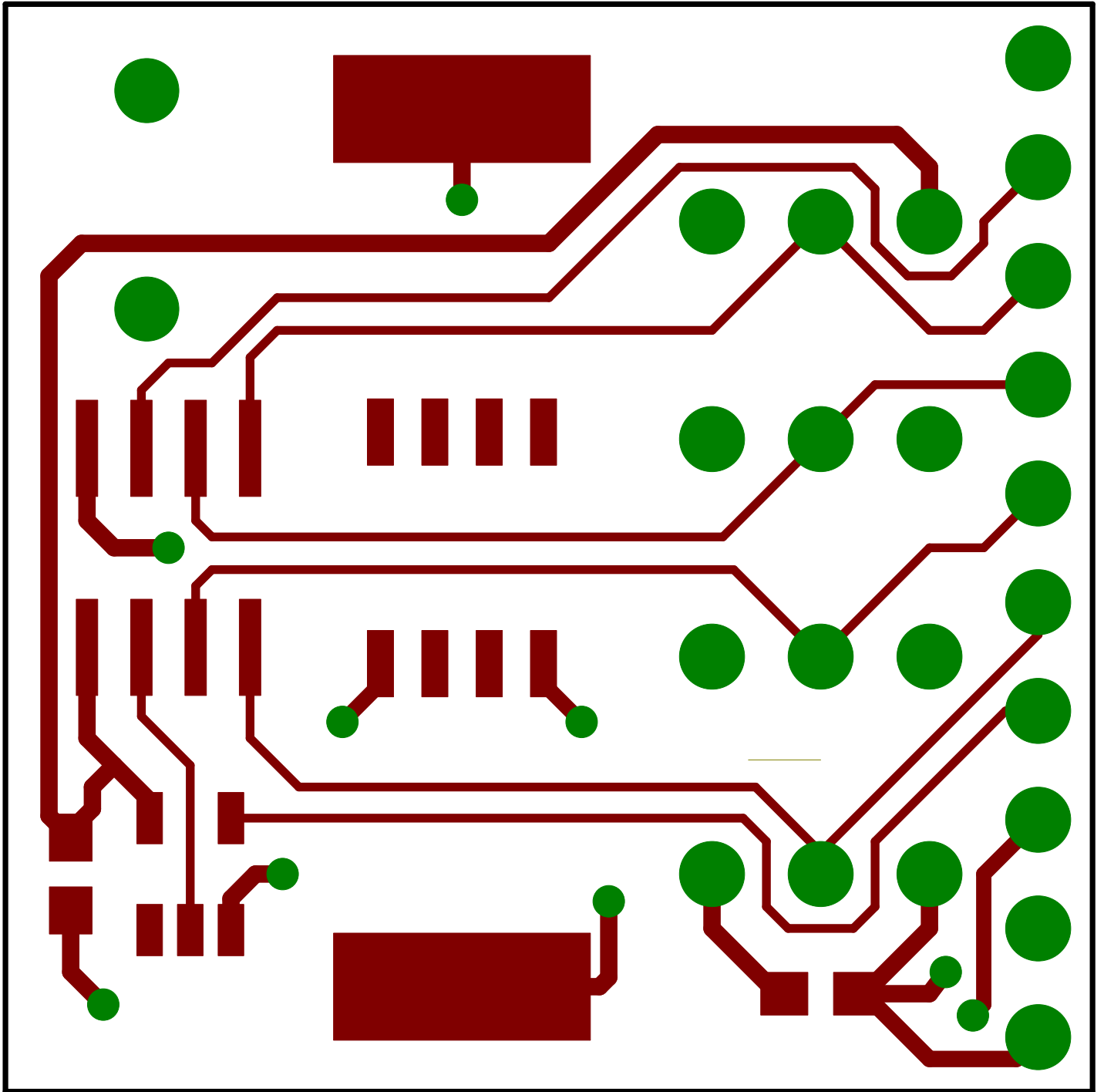
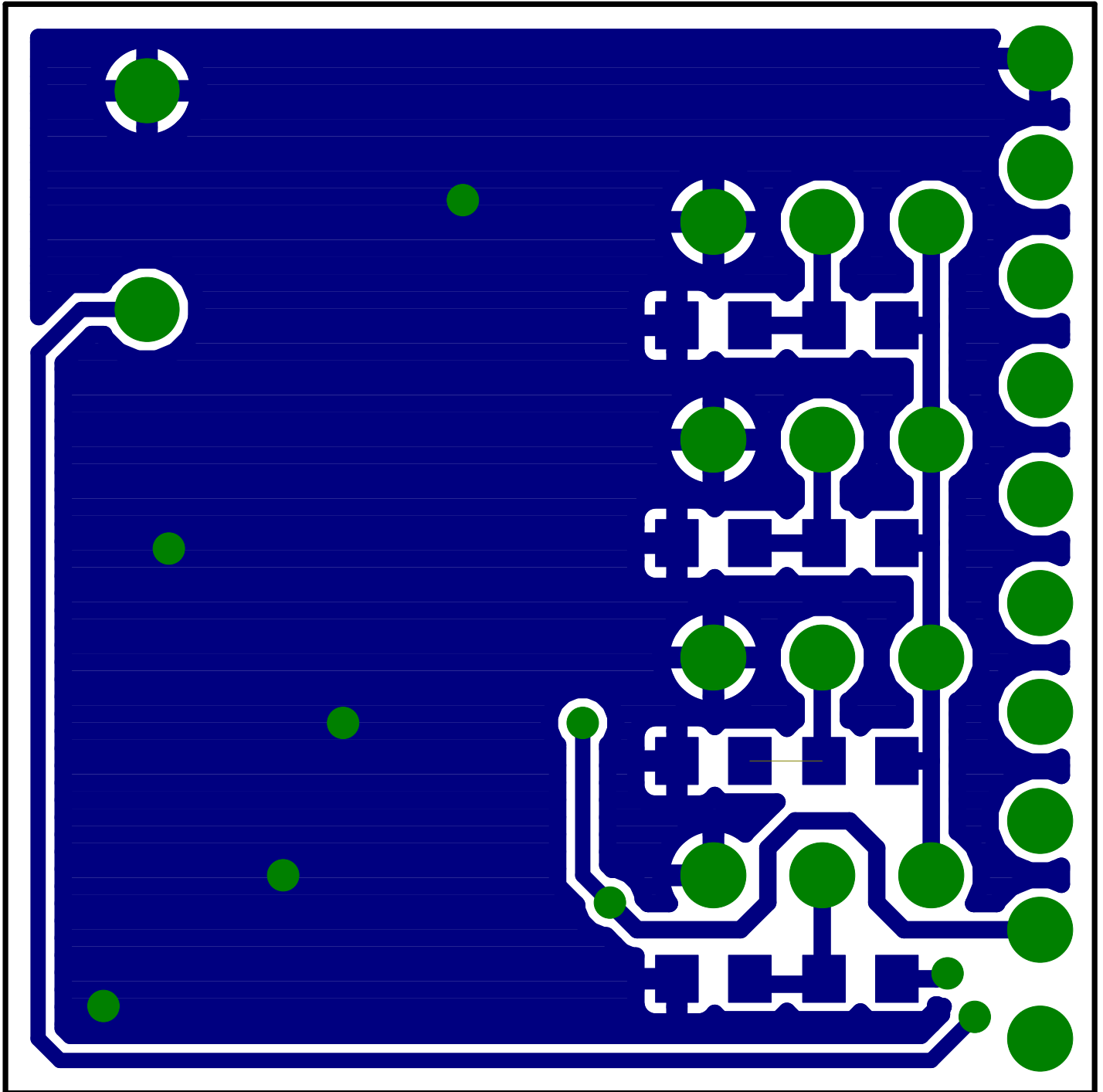
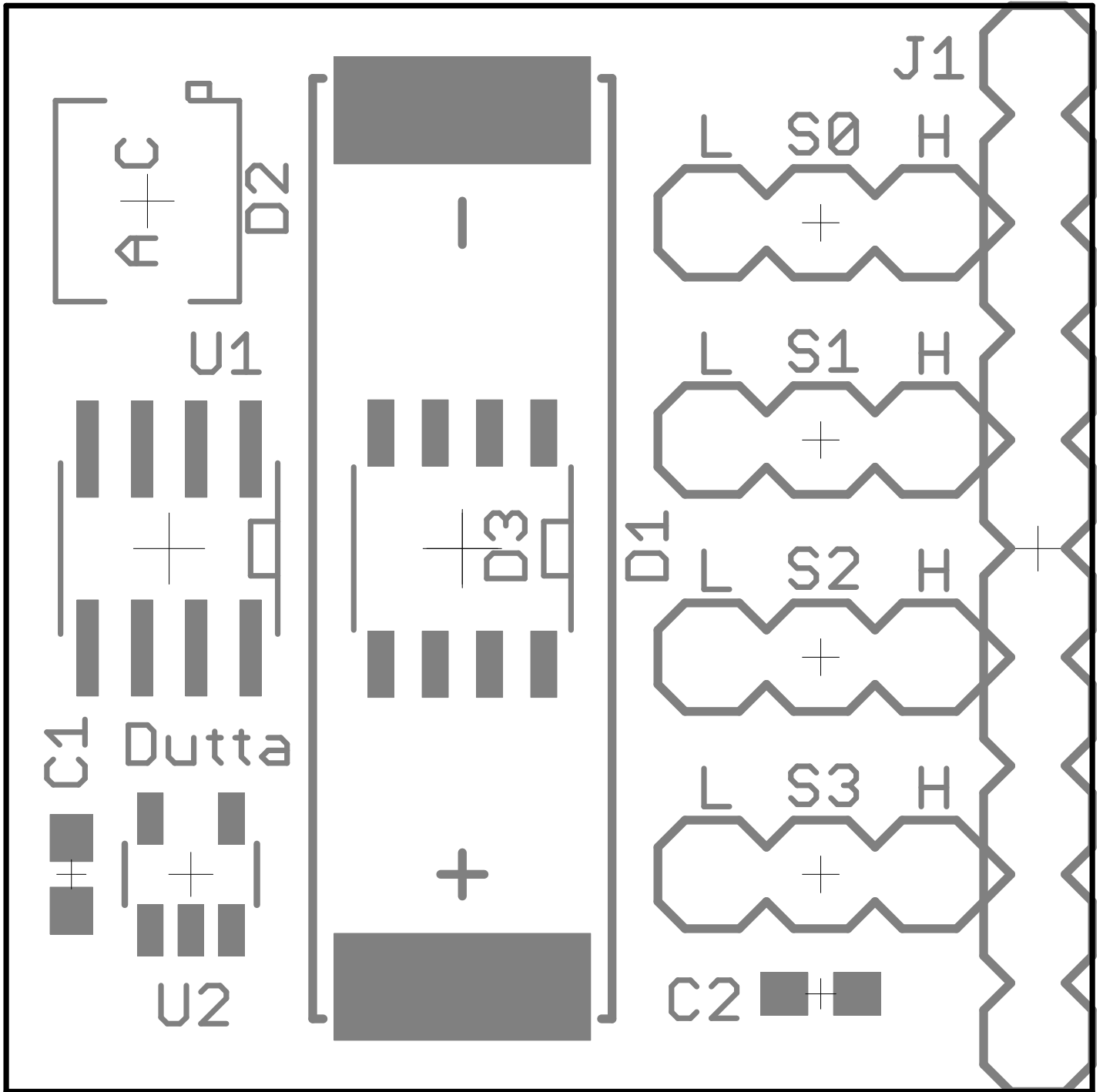


Top Copper Layer



Bottom Copper Layer





GND

\overline{OE}

TSL230RD BREAKOUT
Rev A 2011-03-19

S0



S1

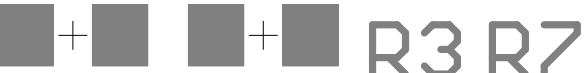
S2



S3



OUT
D2

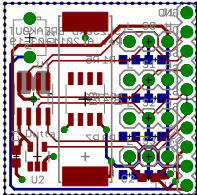


D1

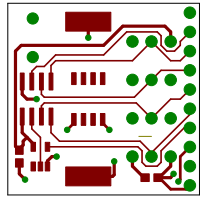


VCC

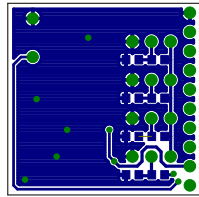
Top and Bottom Layers 1:1 Scale



Top Layer 1:1 Scale



Bottom Copper Layer 1:1 Scale



Qty	Value	Device	Parts			
4		M03PTH	S0, S1,	S2,	S3	
4		R-US_R0603	R1, R2,	R3,	R4,	
4		R-US_R0603	R5,	R6,	R7,	R8
	10.1u	C-USC0603	C2			
	11.0u	C-USC0603	C1			
	1BPW34	BPW34	D2			
	1CPC1831N	CPC1831N	D3			
	1M100.1	M100.1	J1			
	1SN74LVC1G04	SN74LVC1G04	U2			
	1TSL230RD	TSL230RD	U1			
	1XOB17-04X3	XOB17-04X3	D1			

CONN HEADER VERT 3POS .100 TIN
RES 100K OHM 1/10W 1% 0603 SMD
RES 1.00M OHM 1/10W 1% 0603 SMI
CAP CERAMIC 1UF 10V X5R 0603
CAP .1UF 16V CERAMIC X7R 0603

500 609-3464-ND
200 RHM100KHCT-ND
200 RHM1.00MHCT-ND
100 445-1321-1-ND
500 445-1317-1-ND

CONN HEADER 10POS .100 STR 30AL
IC SINGLE INVERTER-GATE SOT-23-5

100 609-3250-ND
100 296-11599-1-ND

0.0622
0.02385
0.02385

0.21
0.25