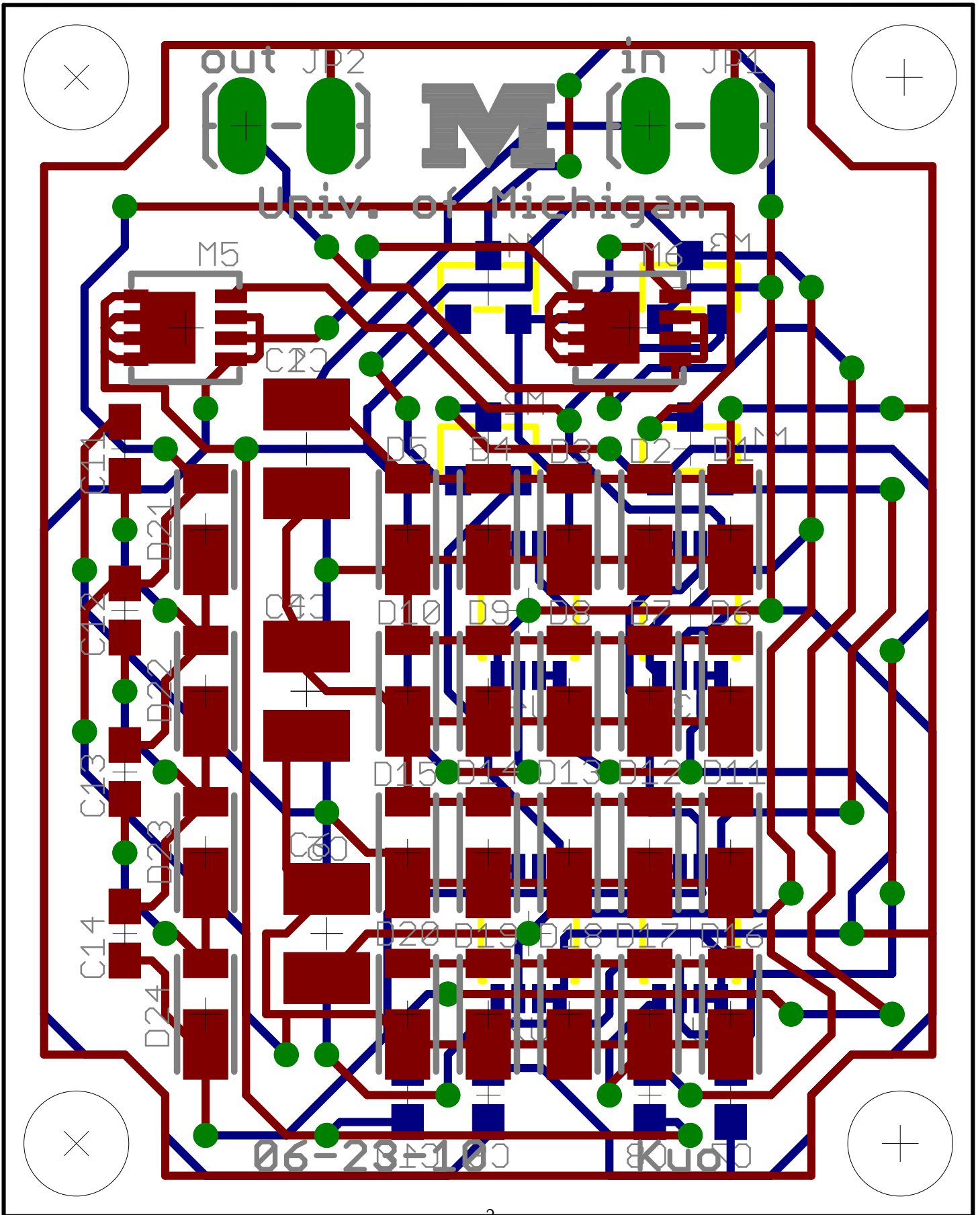
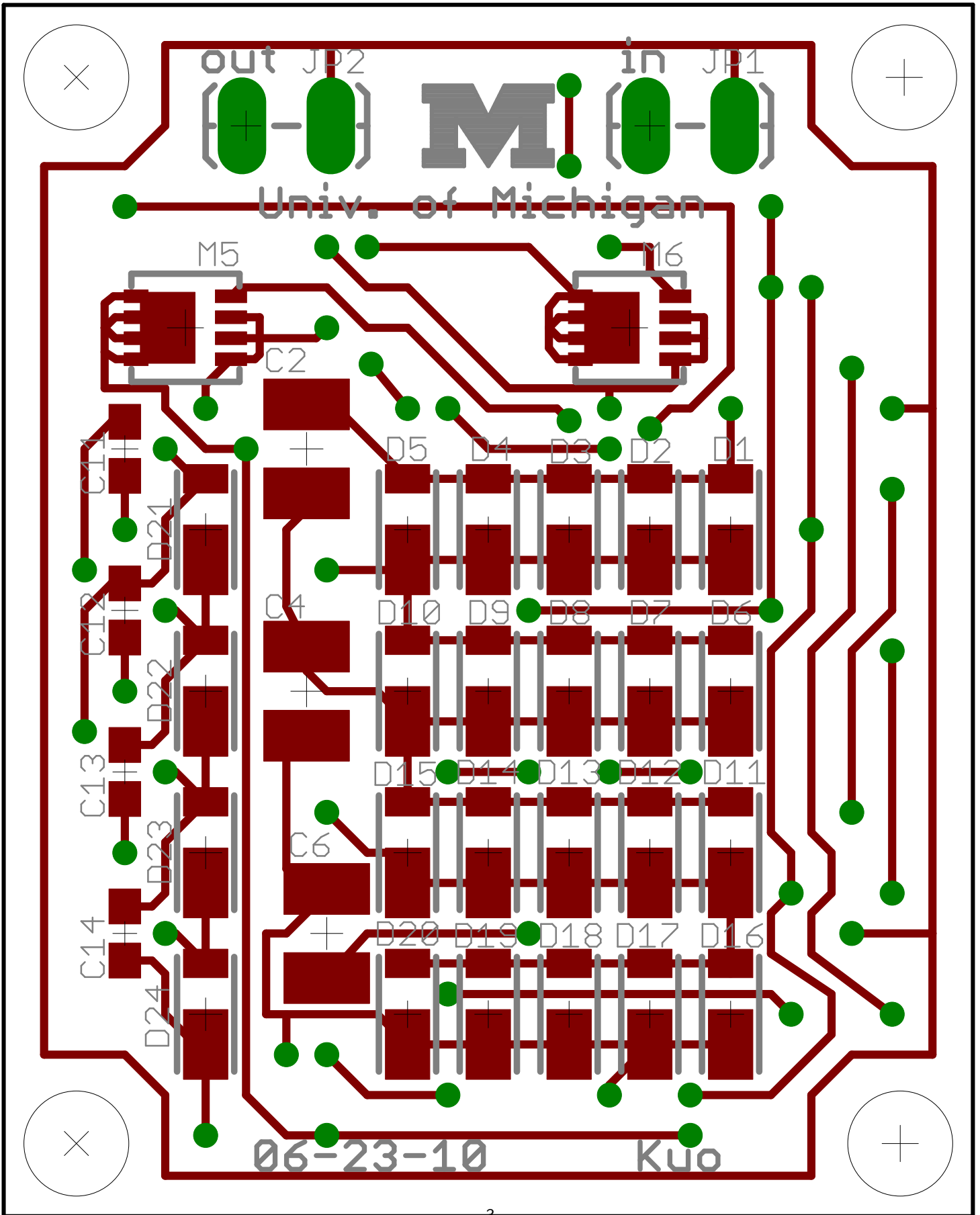


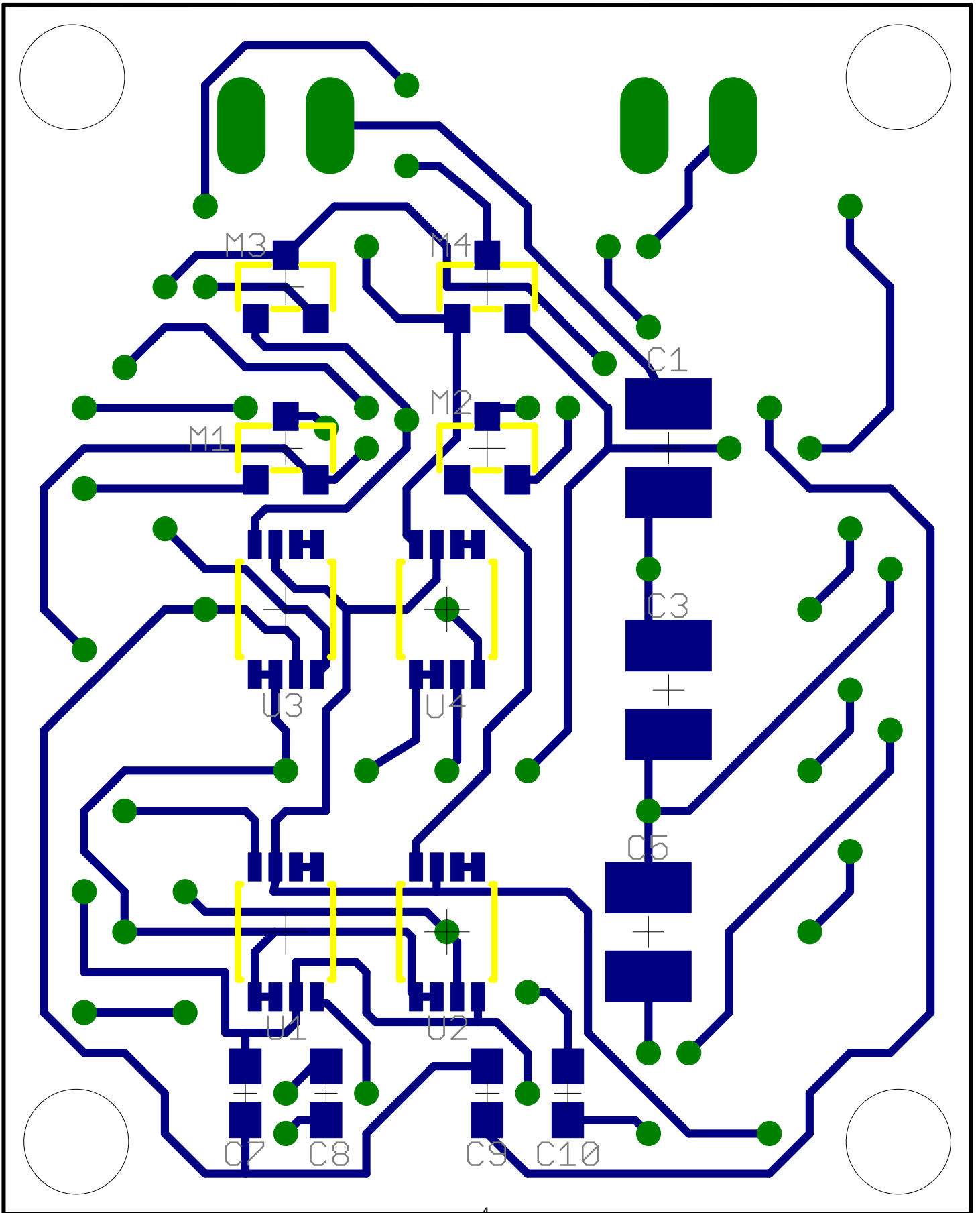
○ ○ ○ ○

Energy Harvester	
TITLE: sch1	
Document Number:	REV:
Date: 1/9/14 1:30 AM	Sheet: 1/1

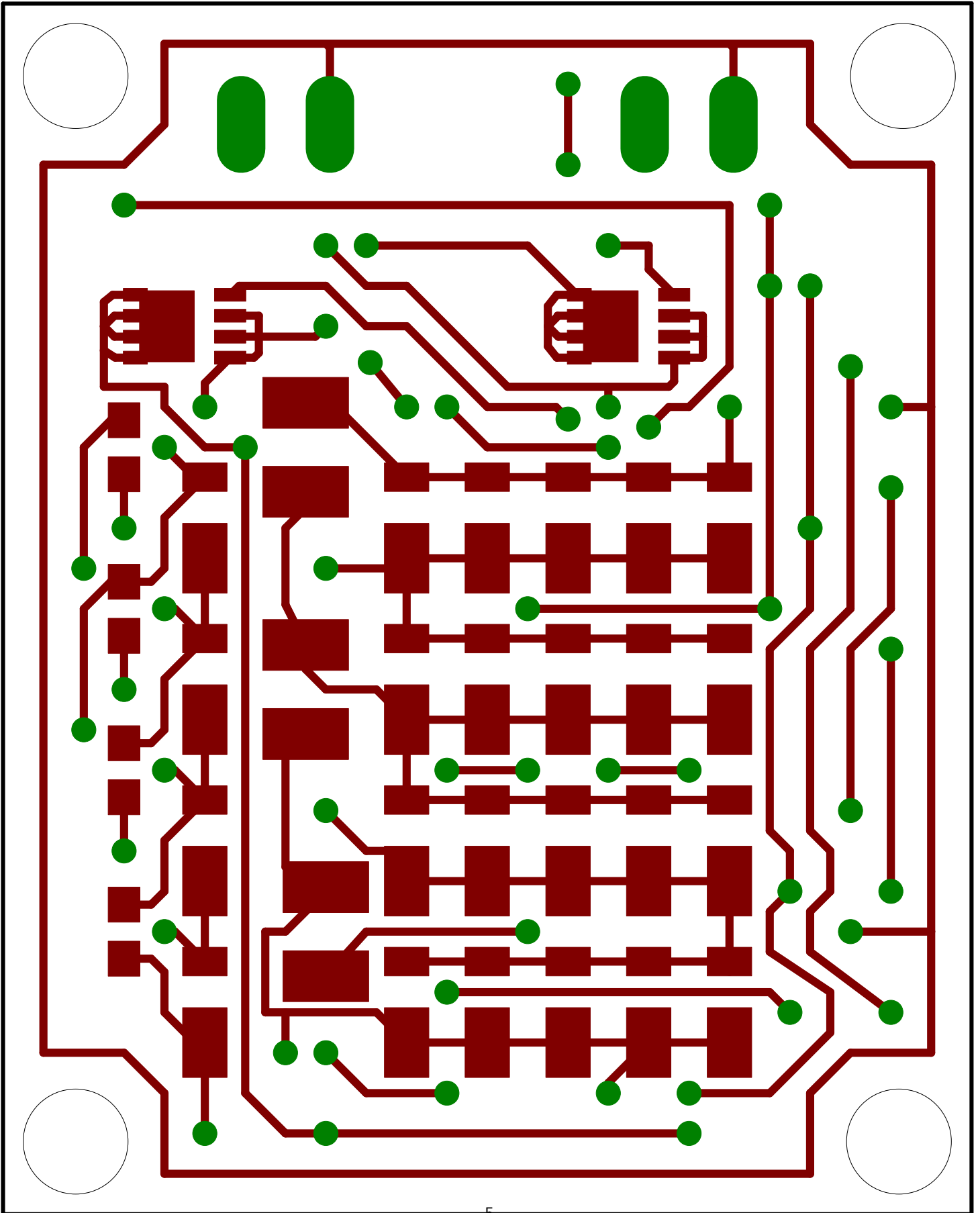




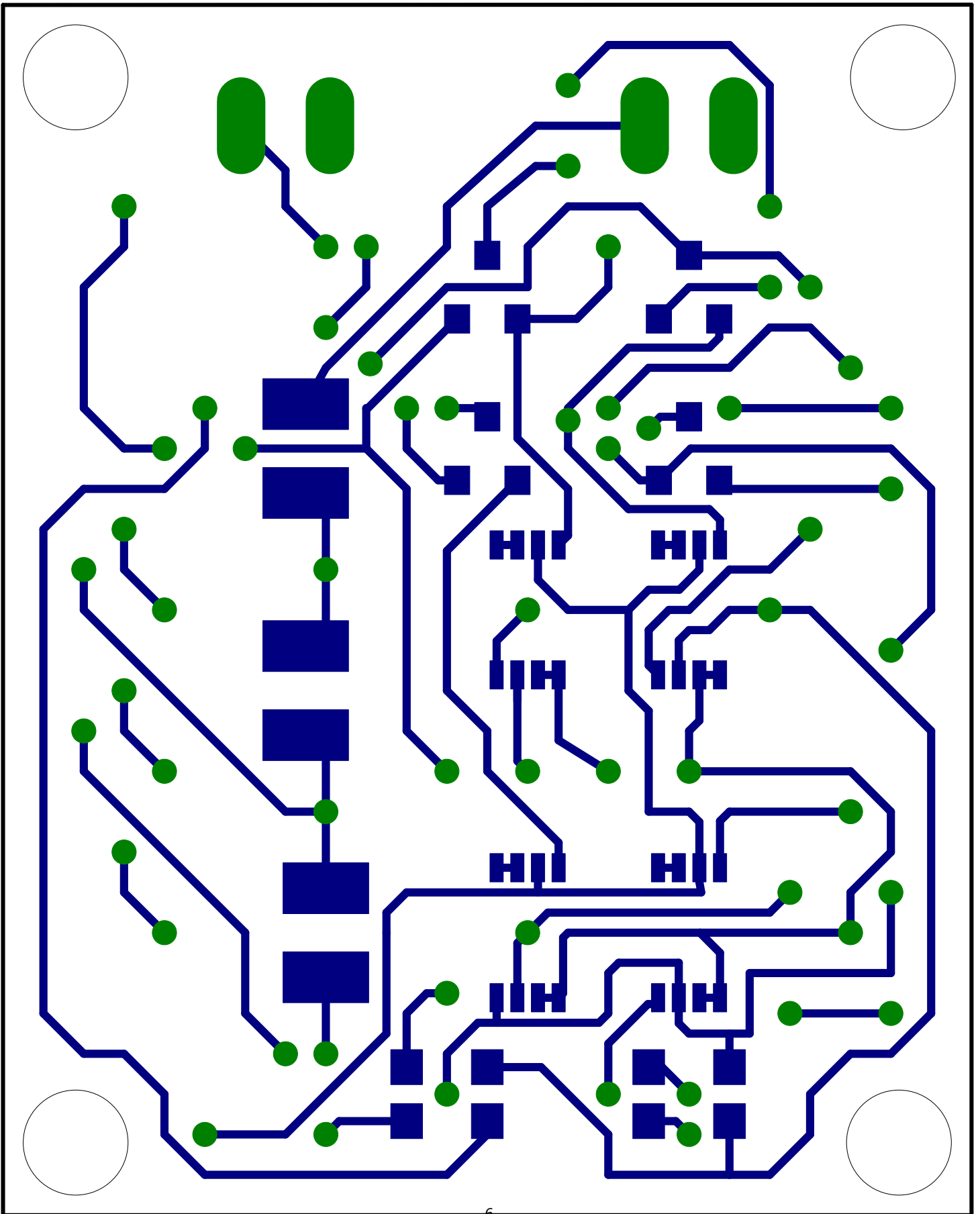
Bottom Layer

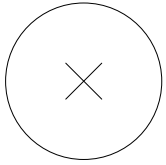


Top Copper Layer

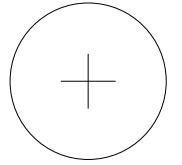


Bottom Copper Layer

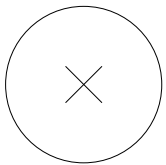
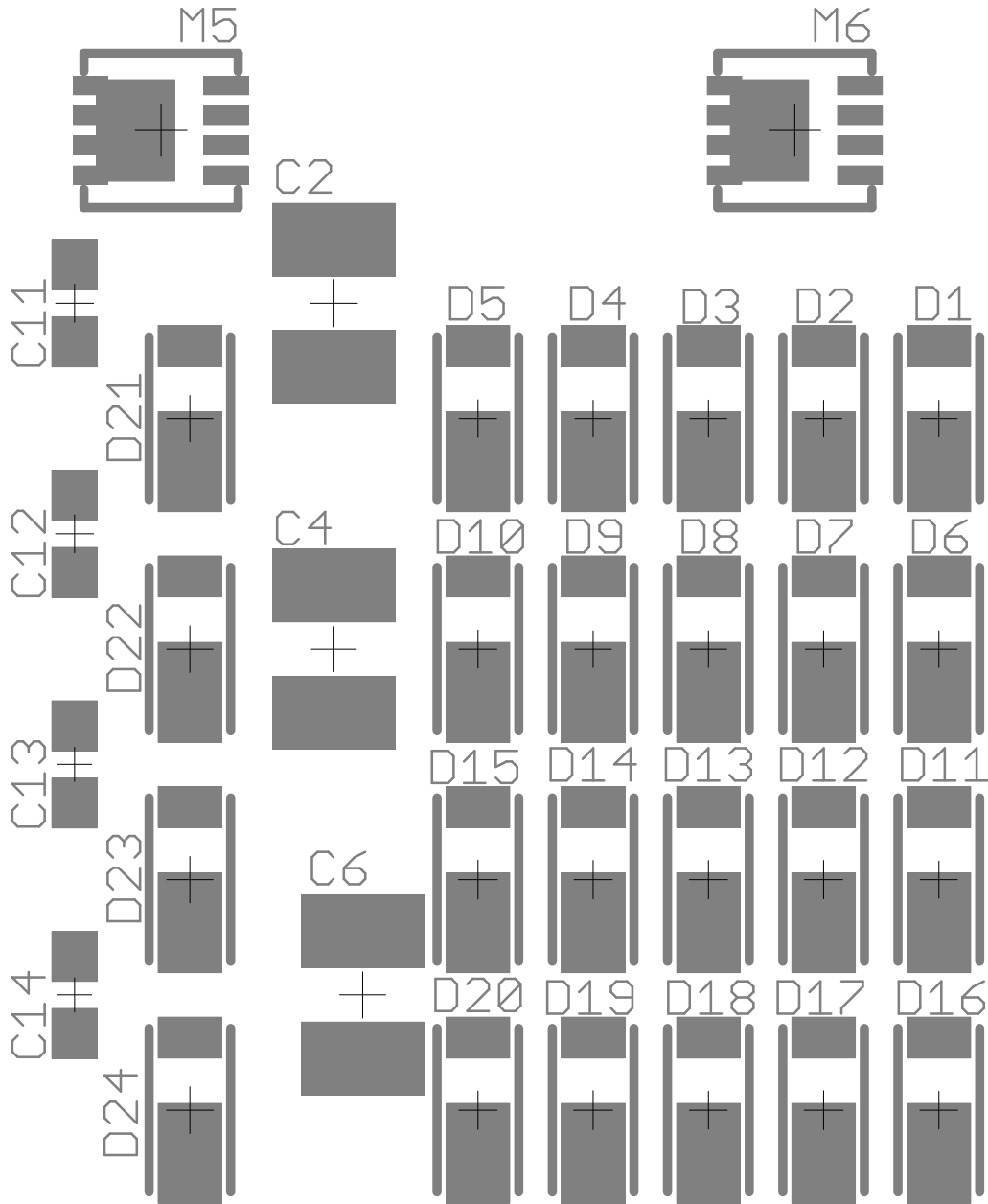




out JP2 in JP1
{ + - } **M** { + - }

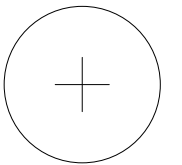


Univ. of Michigan

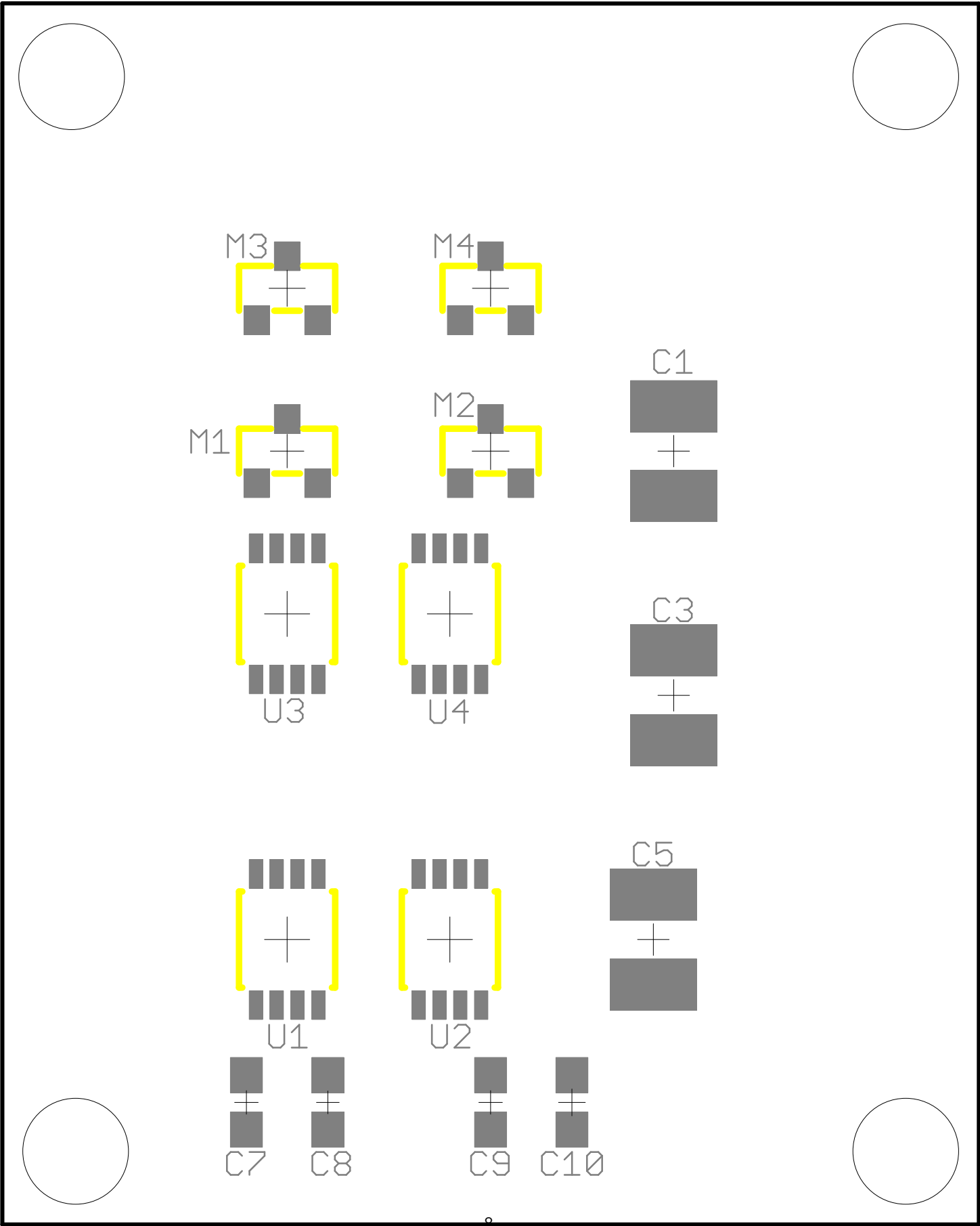


06-23-10

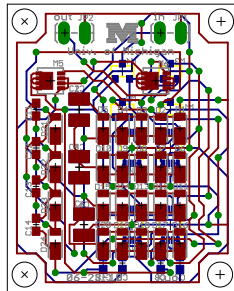
Kuo



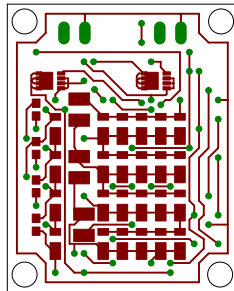
Bottom Paste Layer with Silkscreen



Top and Bottom Layers 1:1 Scale



Top Layer 1:1 Scale



Bottom Copper Layer 1:1 Scale

