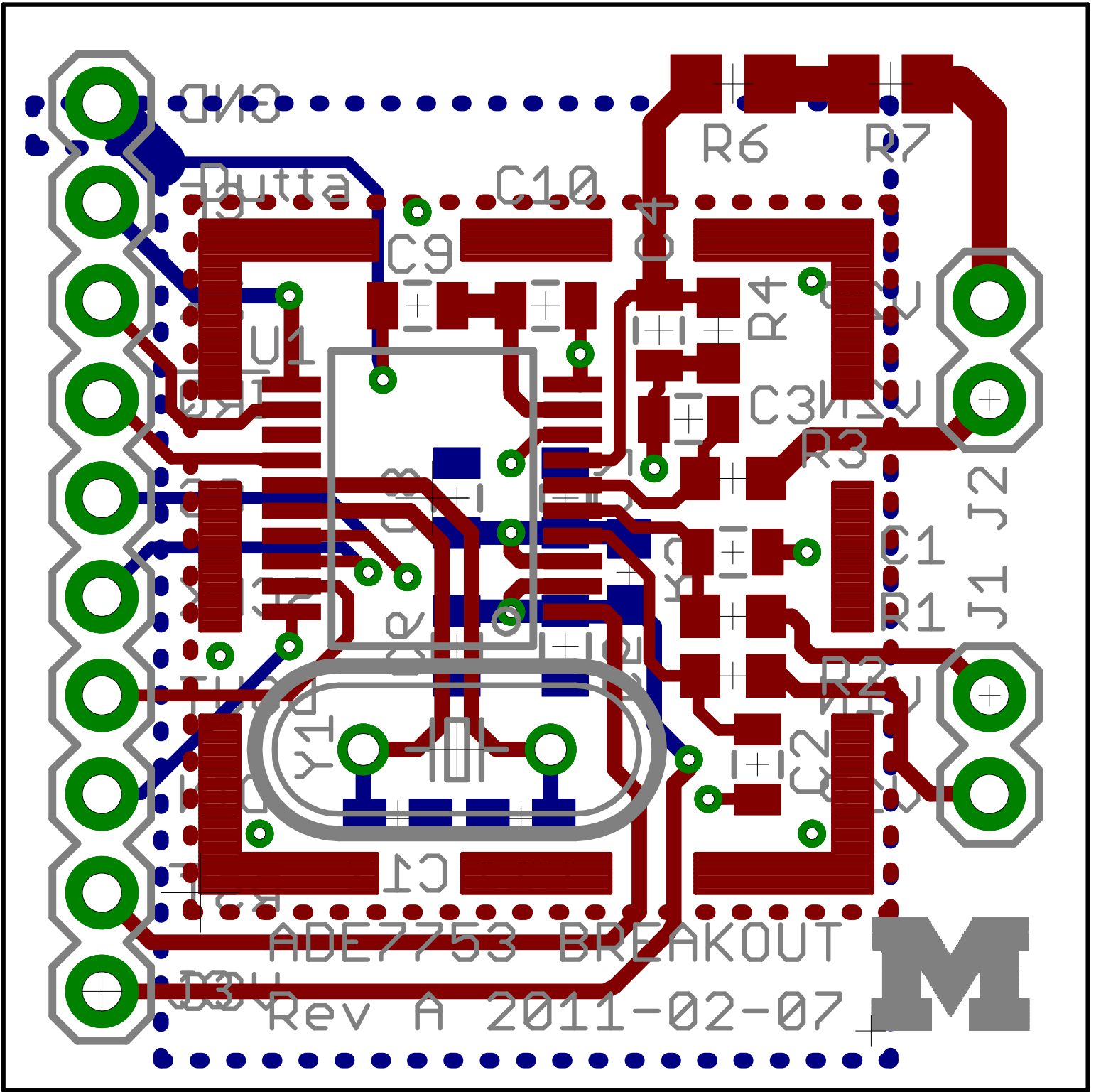
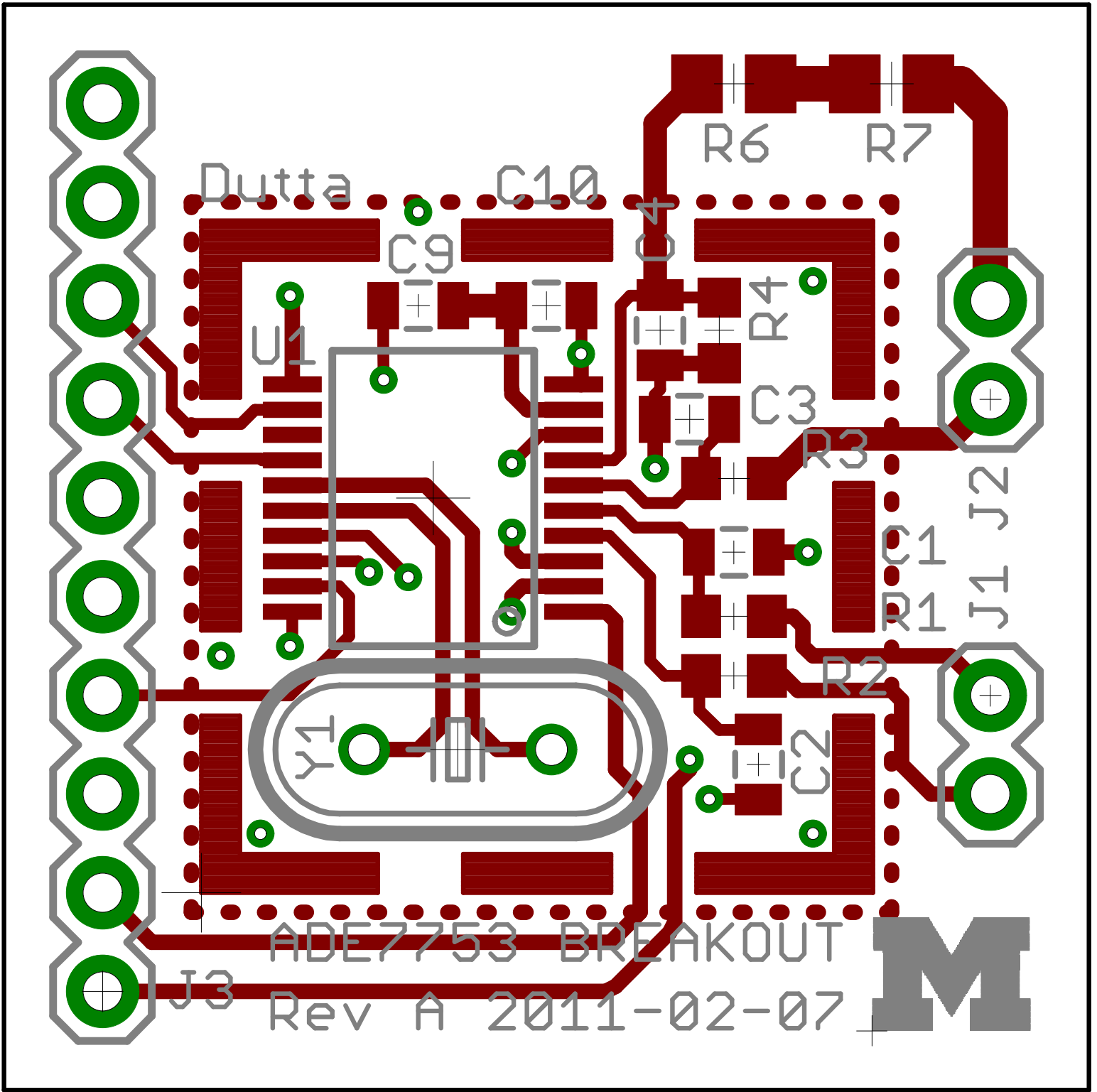
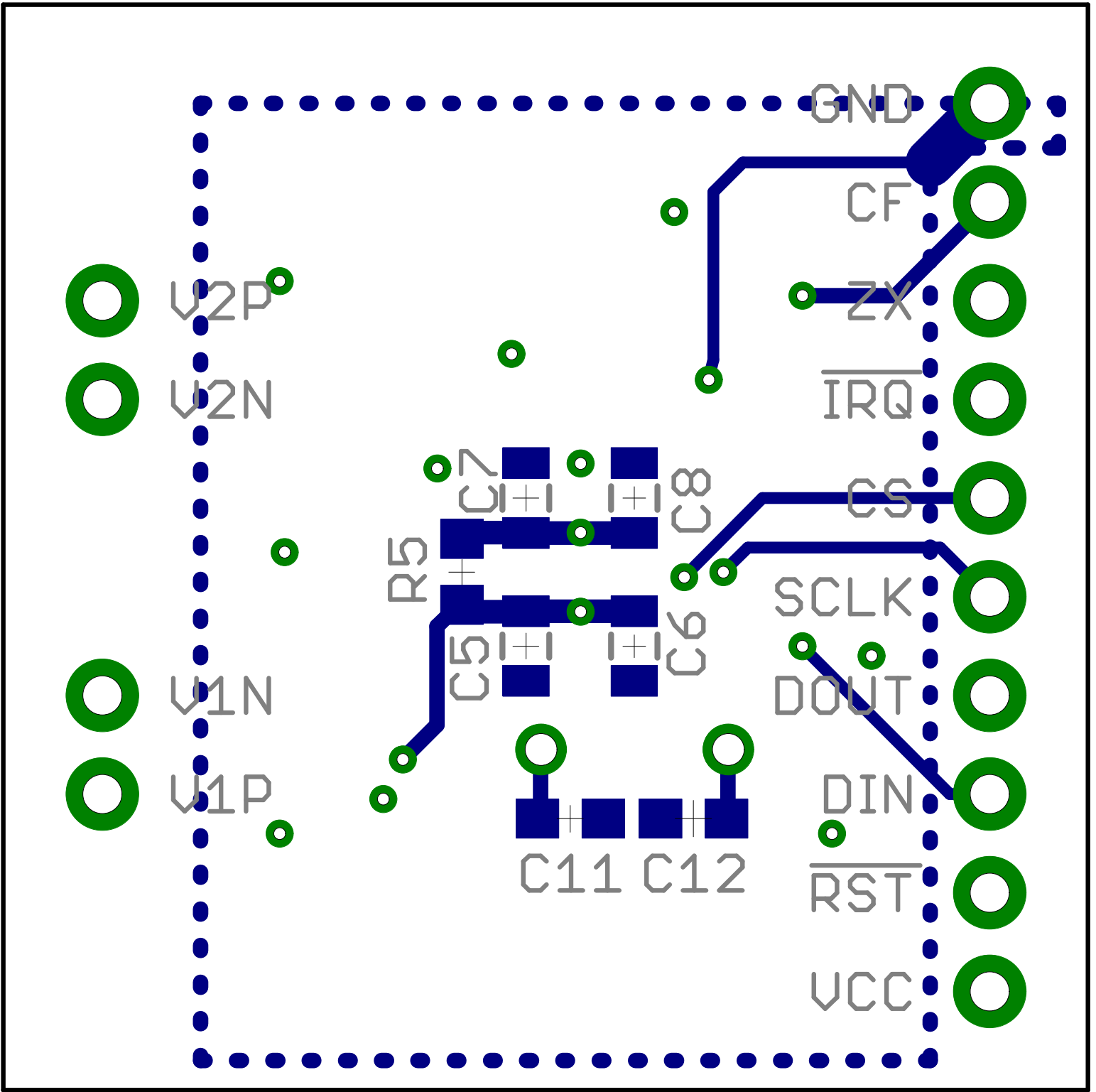
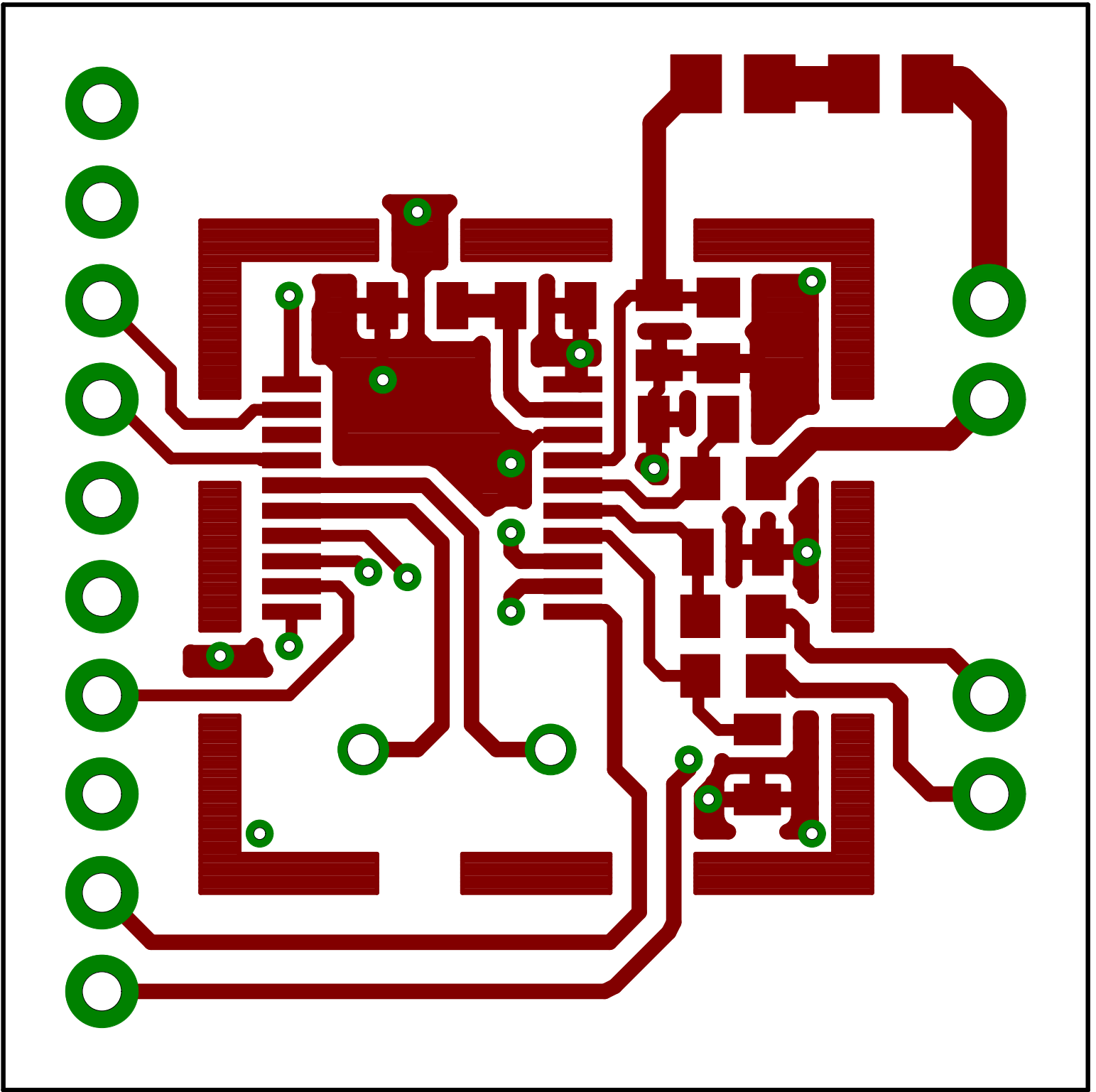


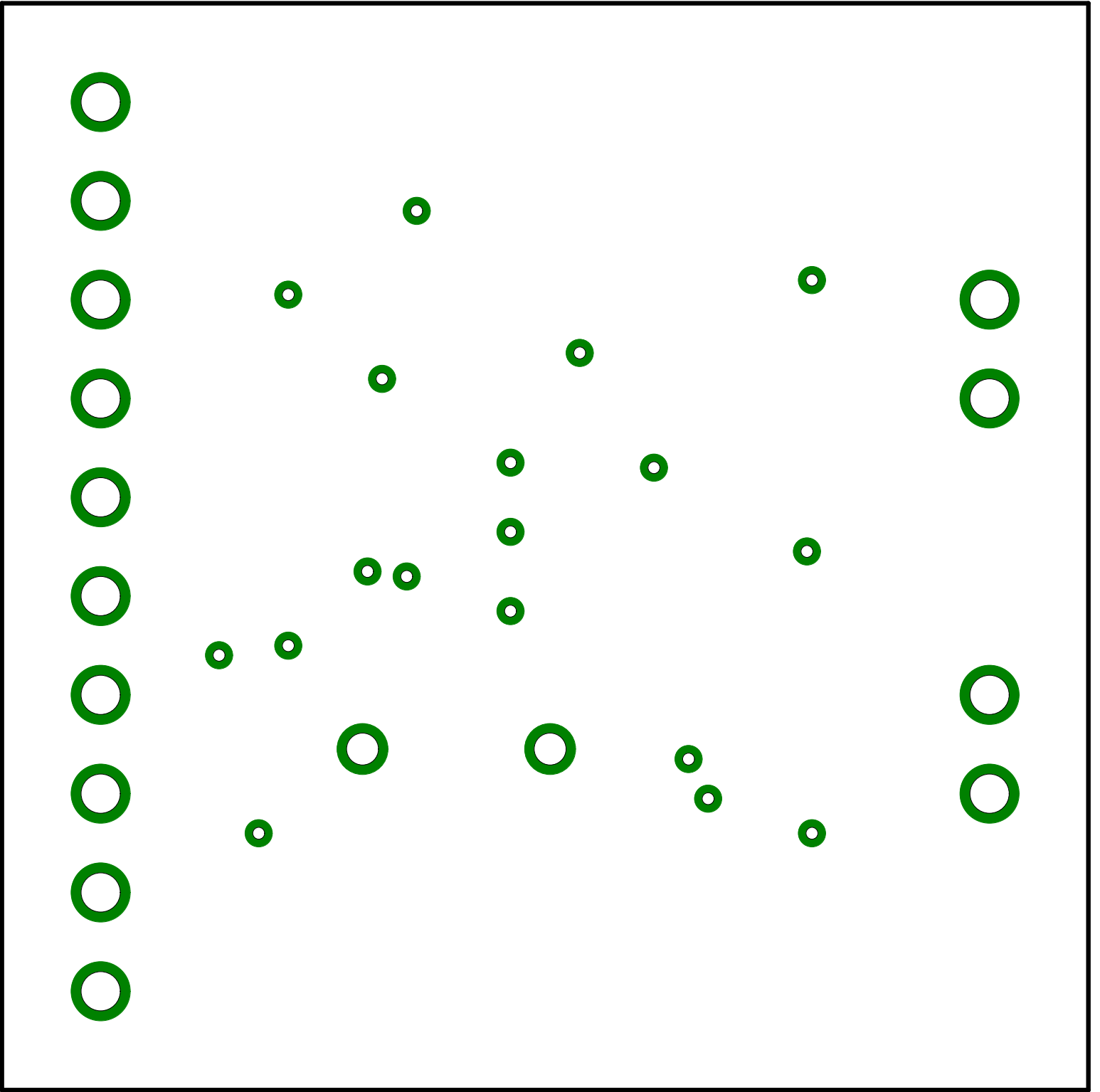
|                           |  |            |
|---------------------------|--|------------|
| <b>M</b> ADE7753 Breakout |  | REV:<br>a  |
| Author: Prabal Dutta      |  |            |
| Date: 1/3/14 12:45 PM     |  | Sheet: 1/1 |

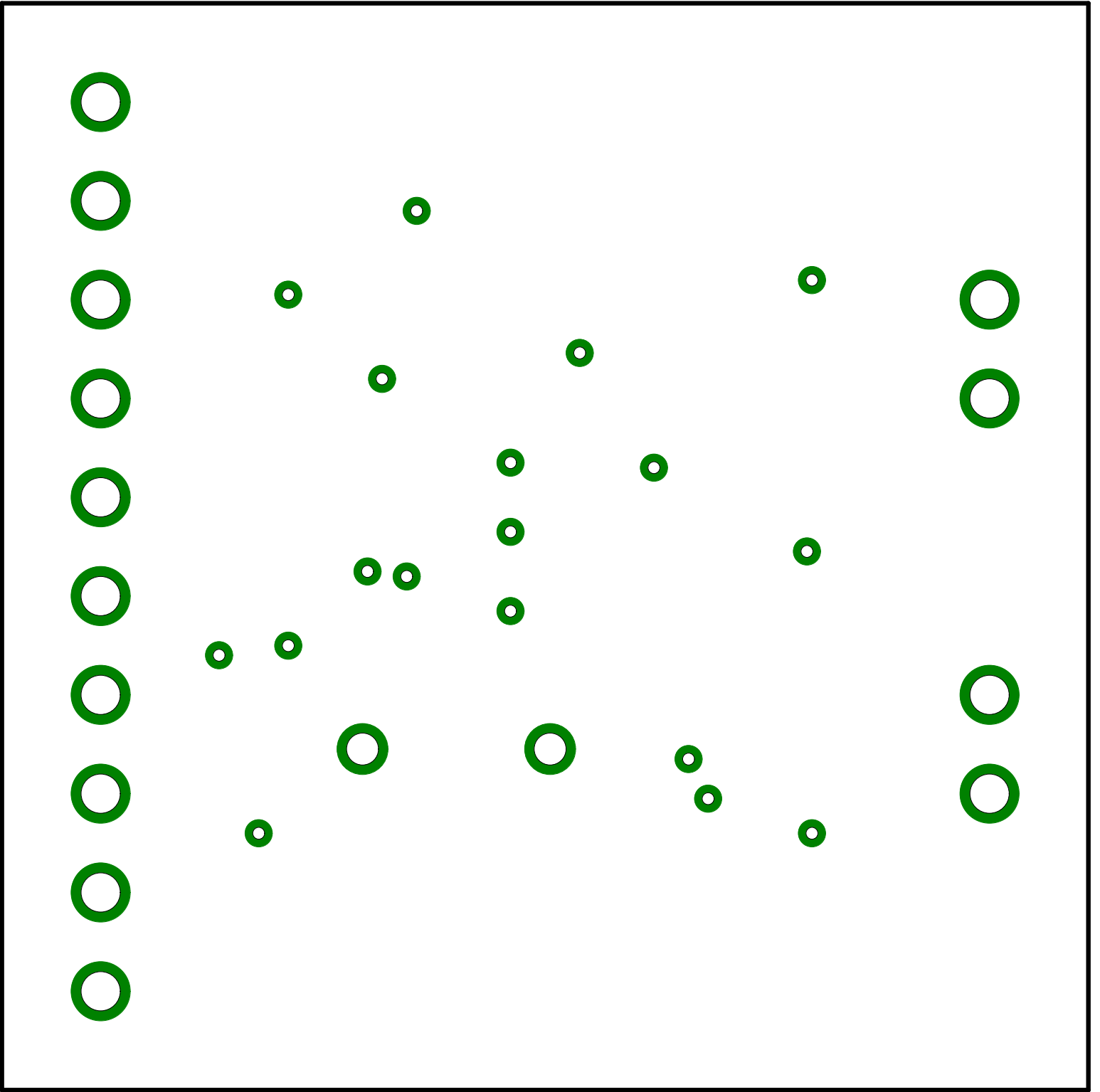




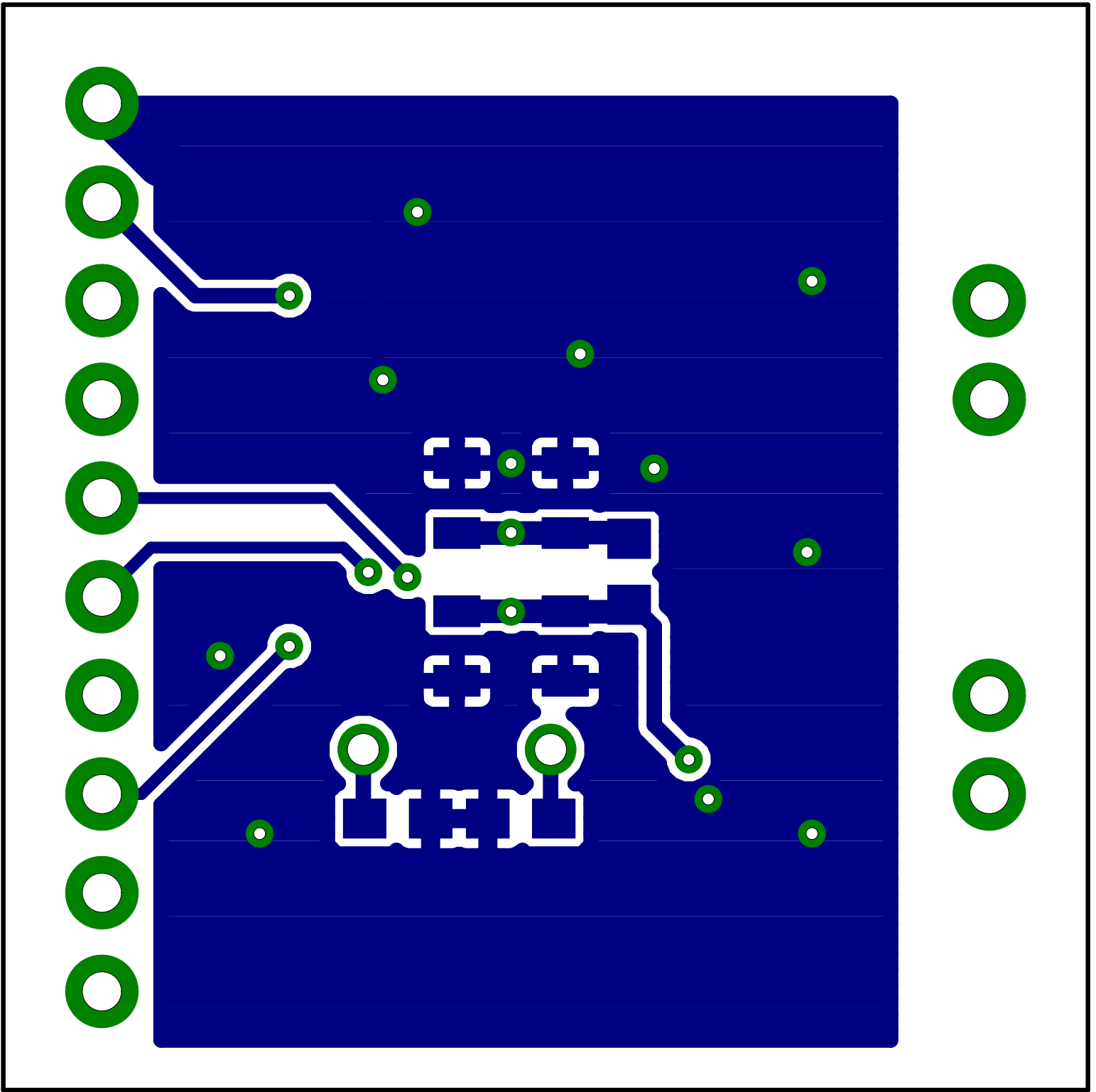




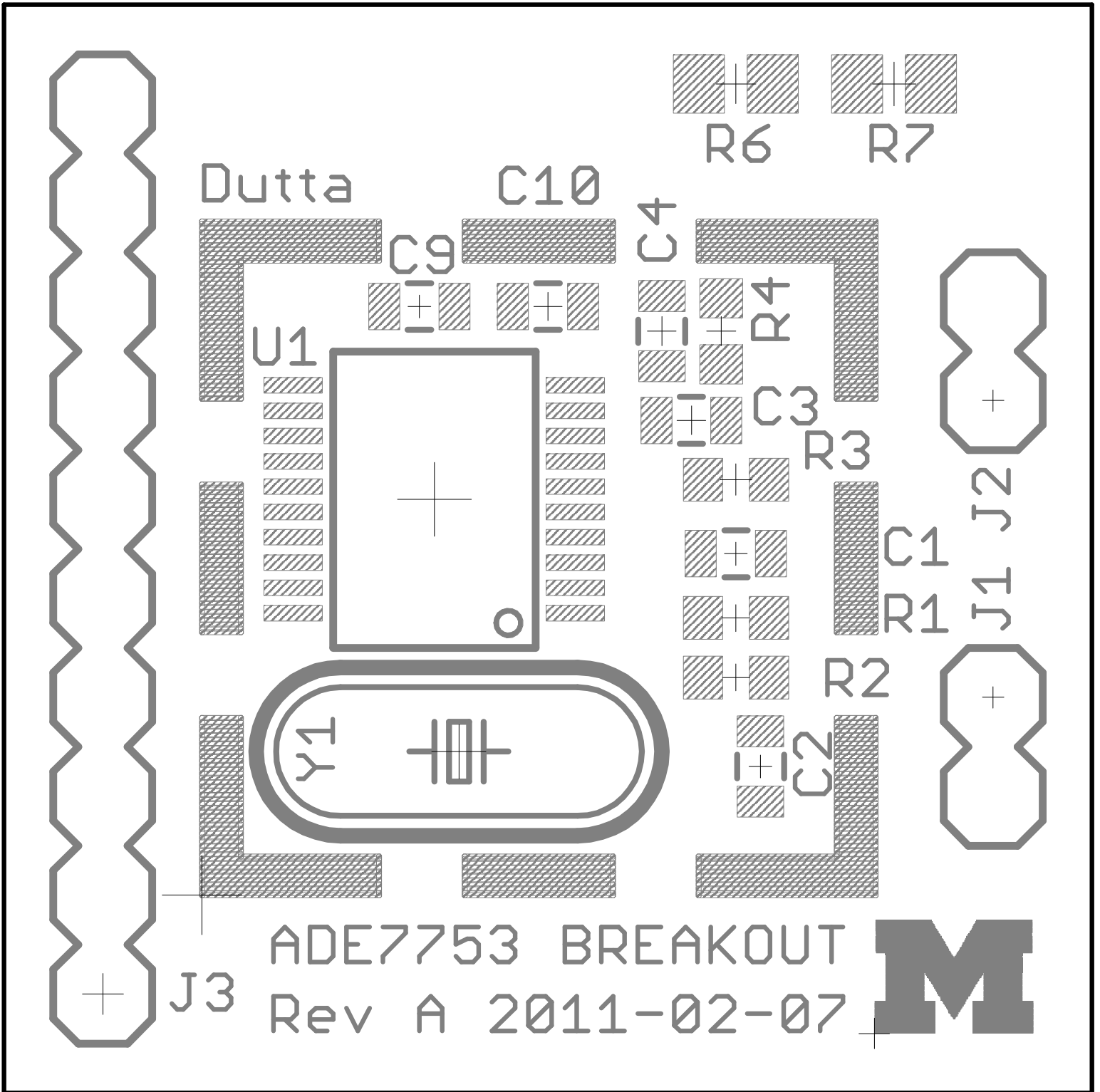


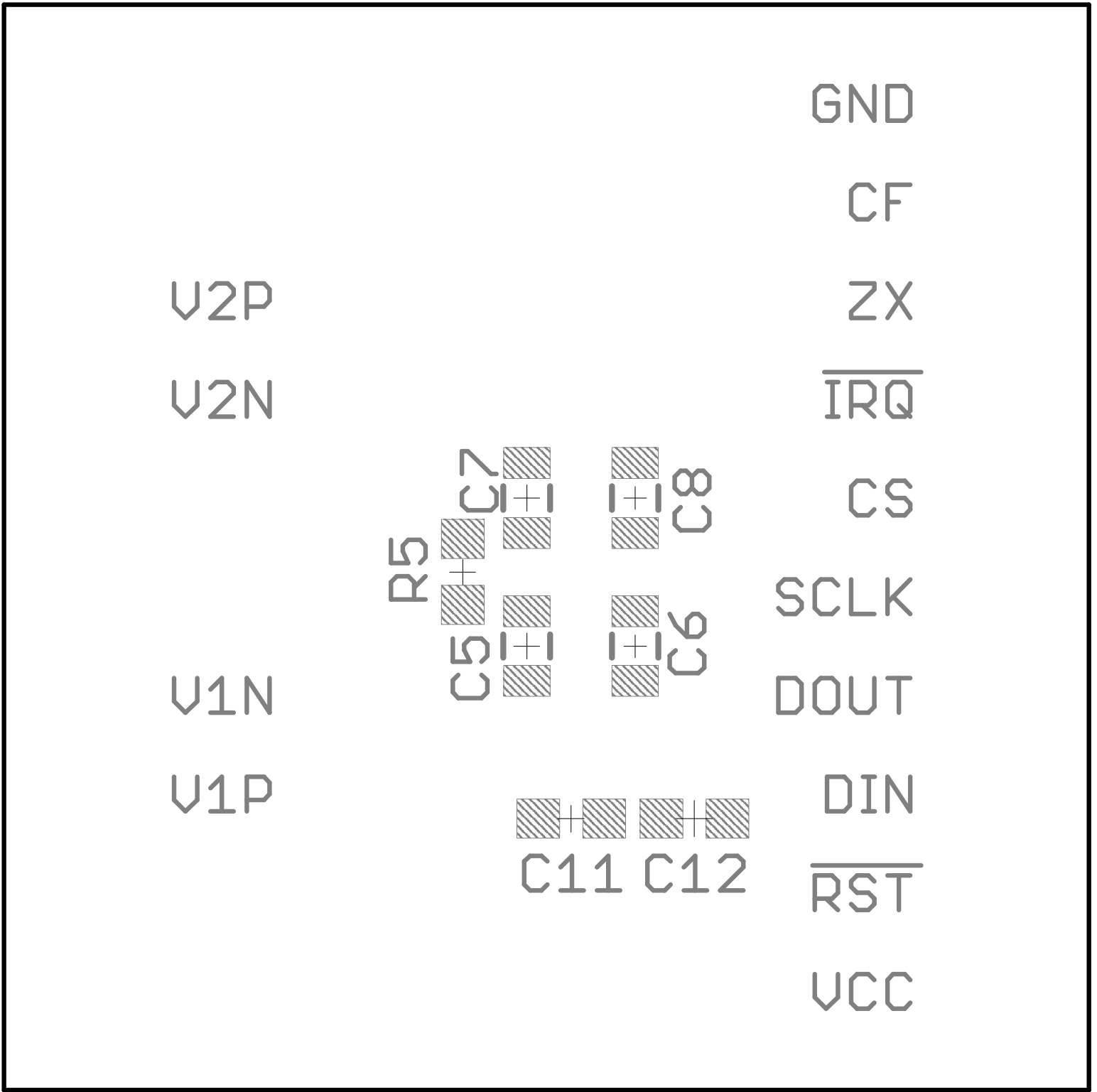


Bottom Copper Layer

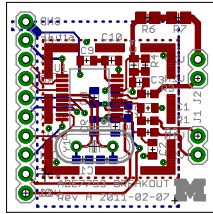




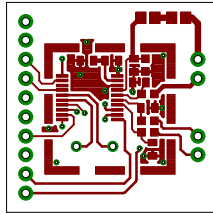




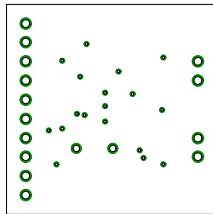
Top and Bottom Layers 1:1 Scale



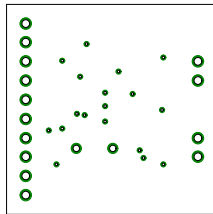
Top Layer 1:1 Scale



Layer 2 Copper 1:1 Scale



Layer 3 Copper 1:1 Scale



Bottom Copper Layer 1:1 Scale

