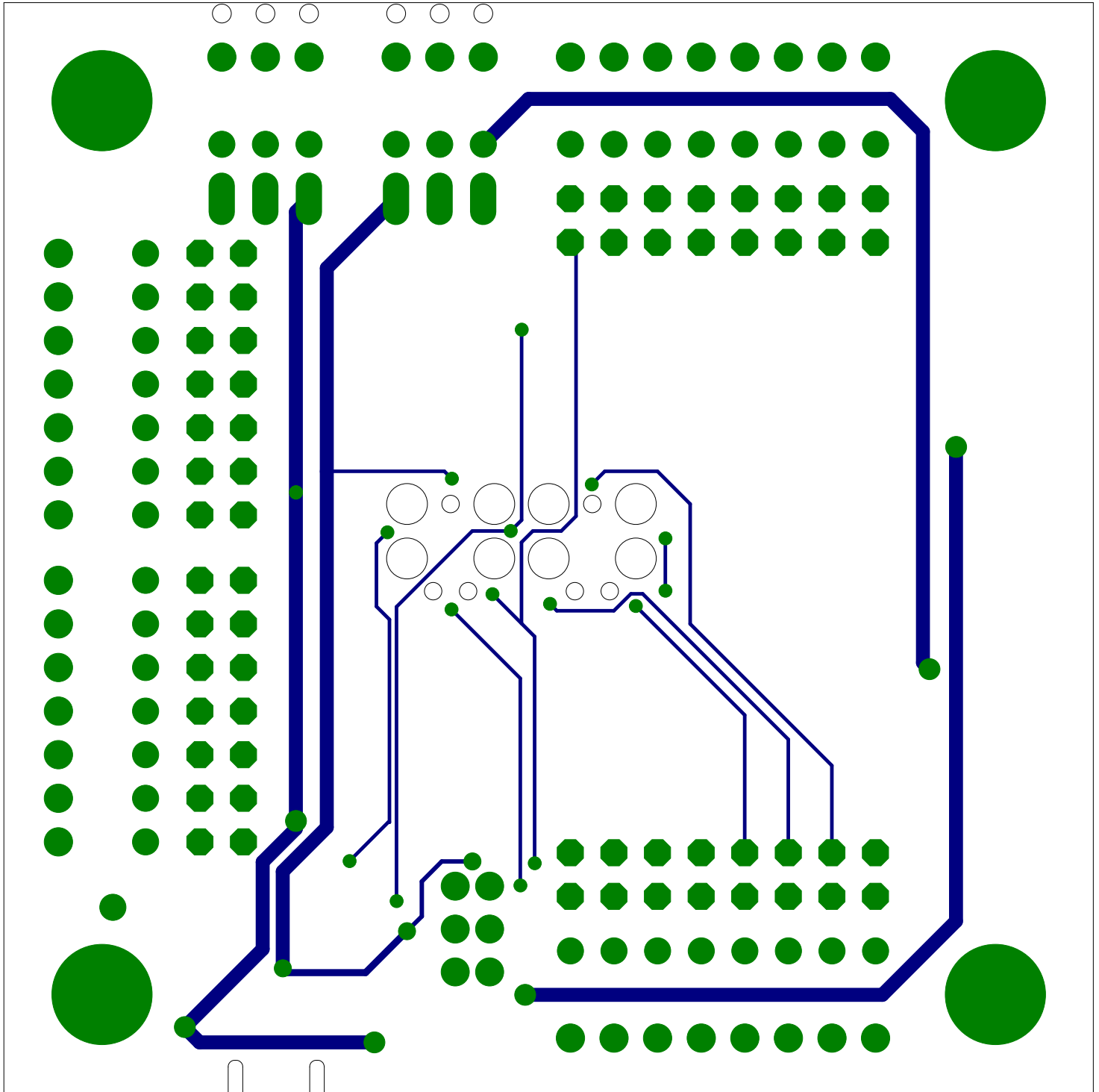
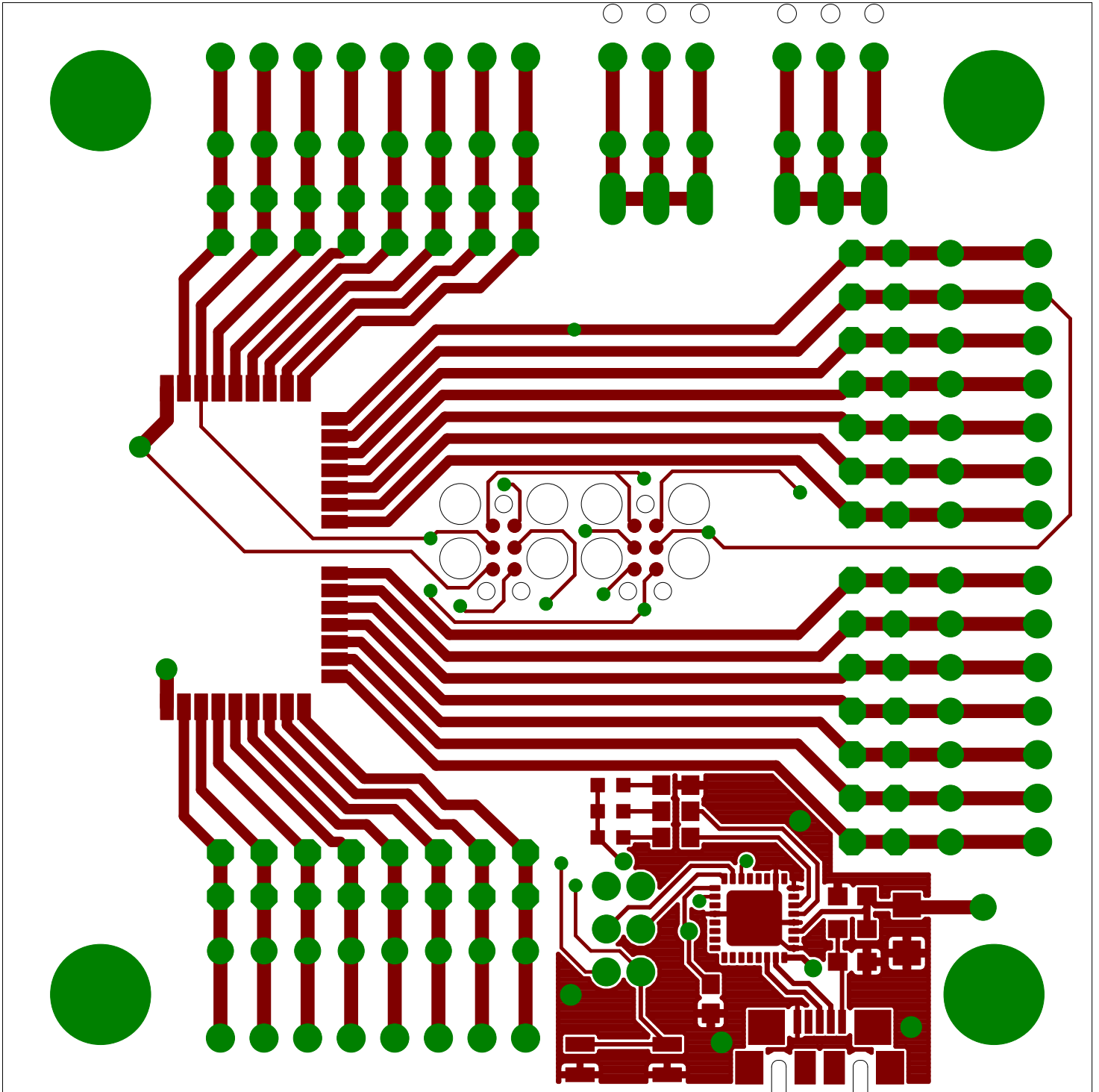


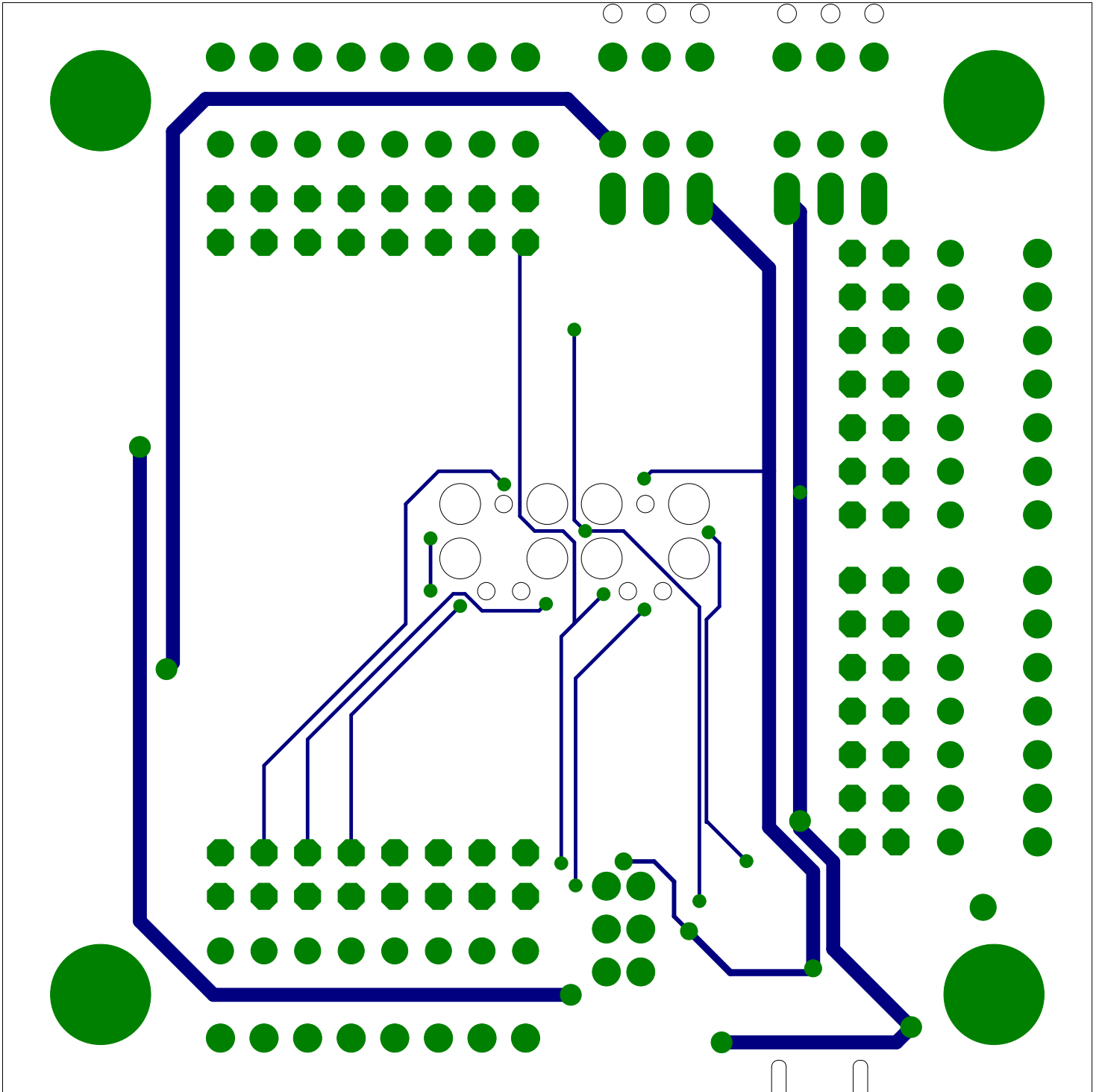
Bottom Layer

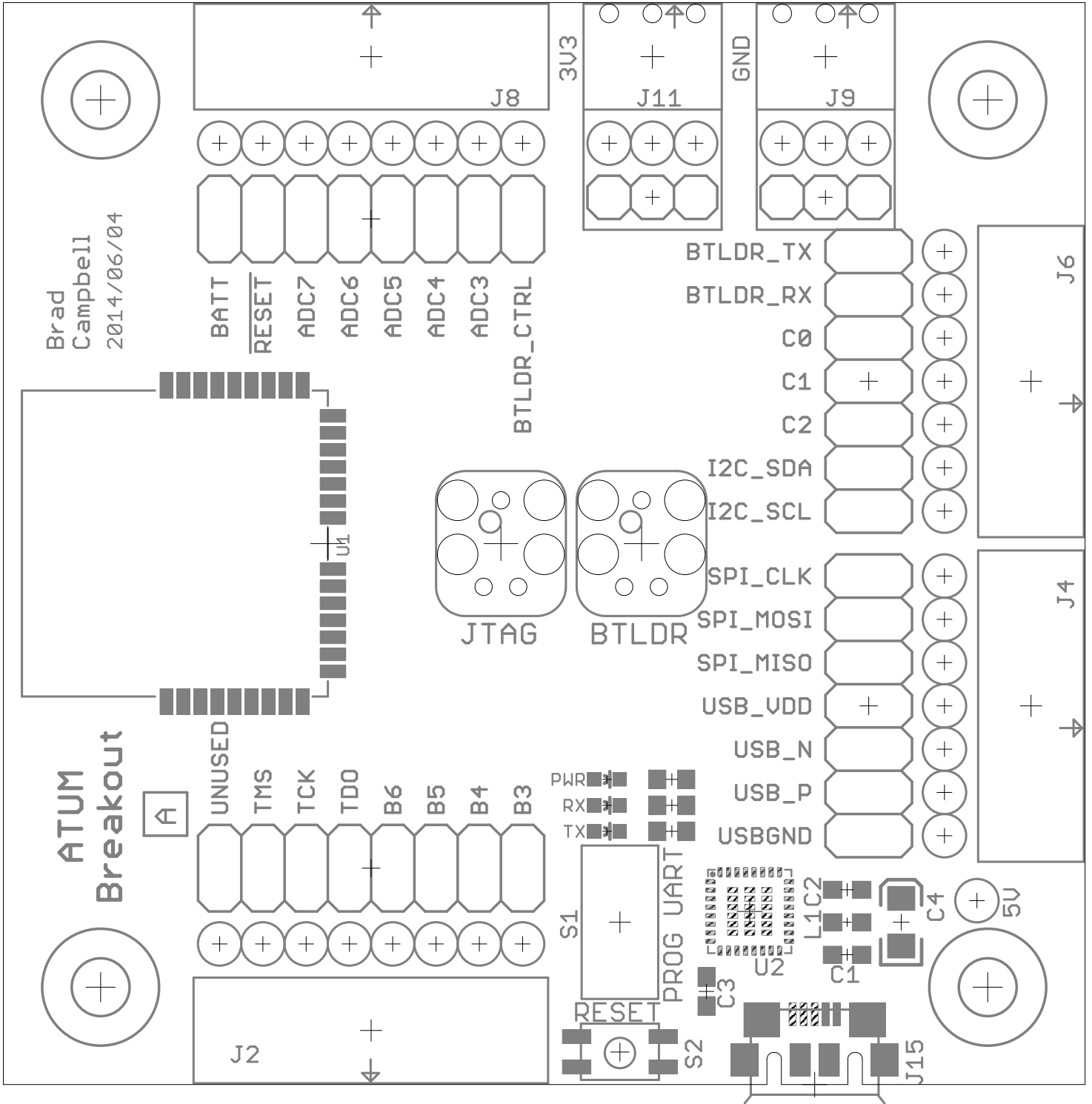


Top Copper Layer

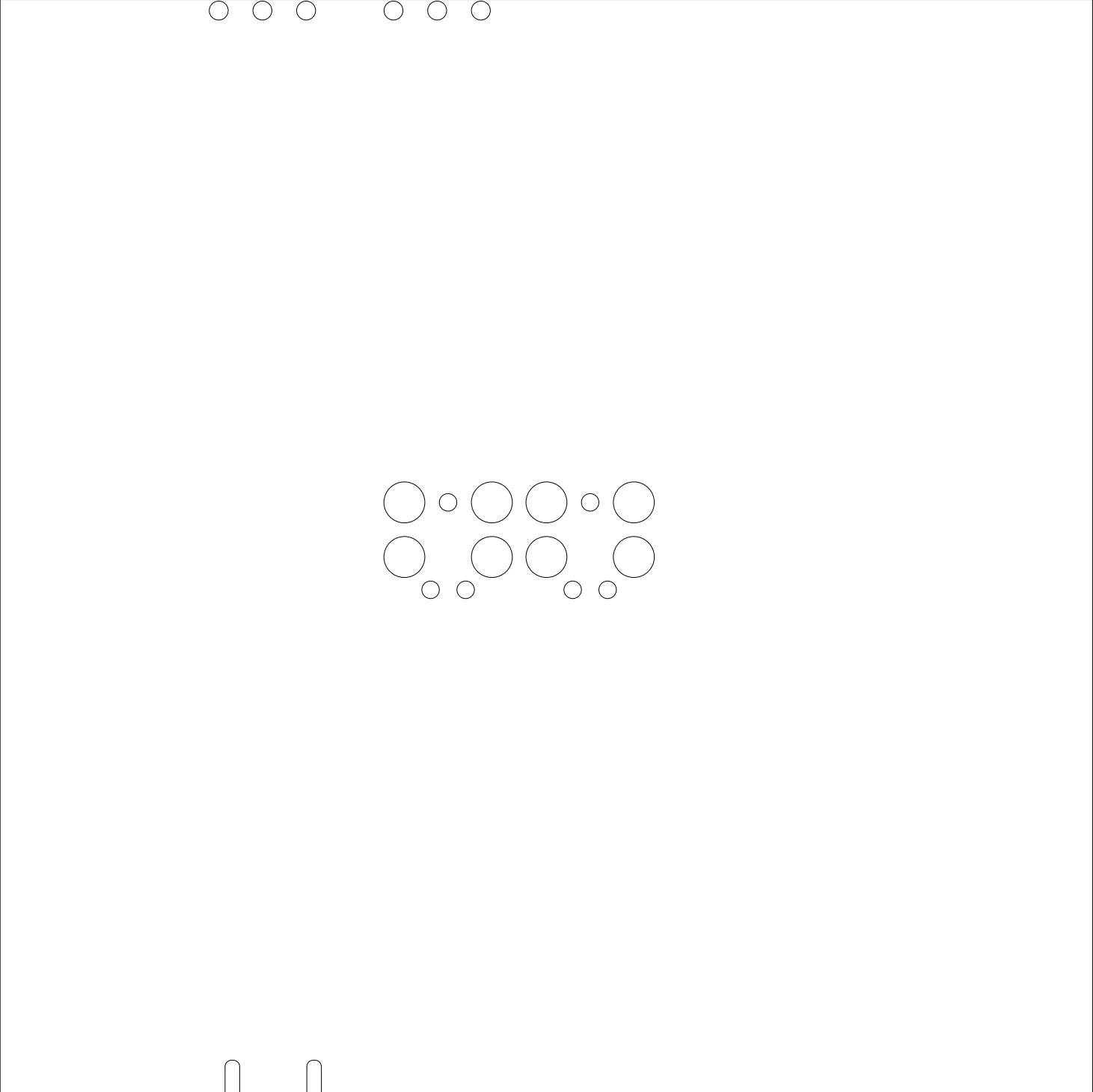


Bottom Copper Layer

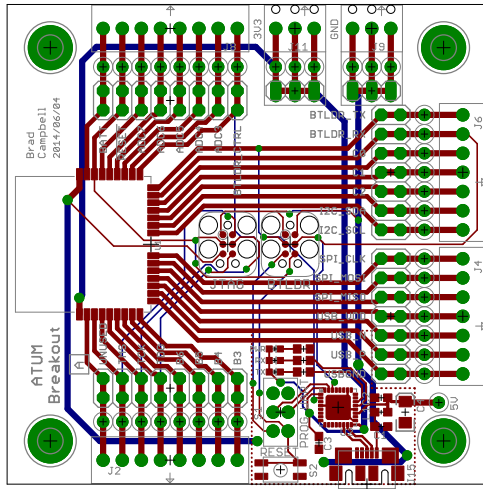




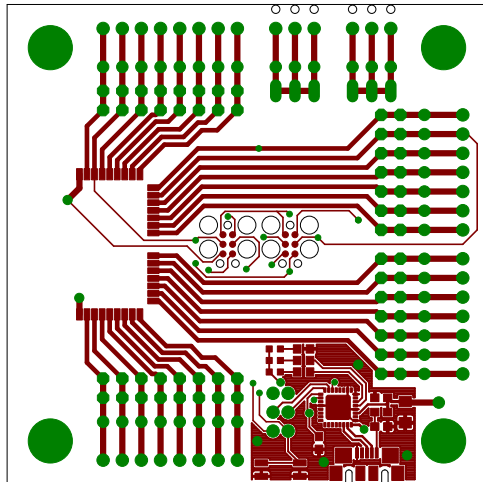
Bottom Paste Layer with Silkscreen



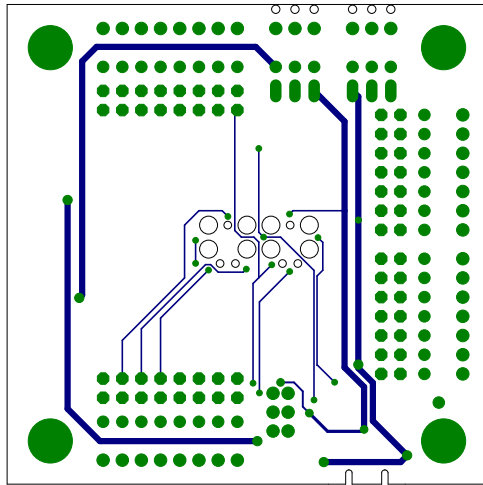
Top and Bottom Layers 1:1 Scale



Top Layer 1:1 Scale



Bottom Copper Layer 1:1 Scale



Sheet1

Qty	Value	Device
	3 0.1u	C-EUC0603
	1 10u	CAP_POL1206
	1 BLUE	LED0603
	1 RED	LED0603
	1 GREEN	LED0603
	2	PINHD-2X8
	2 SCREW-TERMINAL_8_0.100	SCREW-TERMINAL_8_0.100
	2	PINHD-2X7
	2 SCREW-TERMINAL_7_0.100	SCREW-TERMINAL_7_0.100
	2 SCREW-TERMINAL_3_0.100	SCREW-TERMINAL_3_0.100
	2	PINHD-1X3
	1 MICRO_USB_B_HIROSE_ZX62R-B-5P	MICRO_USB_B_HIROSE_ZX62R-B-5P
	1	INDUCTOR0603
	3 470	R-US_R0603
	1 SSA22/DPDT	SSA22/DPDT
	1 EVQP2	EVQP2
	37 TEST_POINT_0.040IN	TEST_POINT_0.040IN
	1 ATUM	ATUM
	1 FT232RQ	FT232RQ

Sheet1

Package	Parts	Description
C0603	C1, C2, C3	CAPACITOR, European symbol
EIA3216	C4	Capacitor Polarized
LED-0603	D1	LEDs
LED-0603	D2	LEDs
LED-0603	D3	LEDs
2X08	J1, J7	PIN HEADER
CONN_BLOCK_8	J2, J8	8x 0.100 in screw terminal block
2X07	J3, J5	PIN HEADER
CONN_BLOCK_7	J4, J6	7x 0.100 in screw terminal block
CONN_BLOCK_3	J9, J11	3x 0.100 in screw terminal block
1X03	J10, J12	PIN HEADER
USB_MICRO_B-HIROSE-ZX62R-B-5P	J15	USB Micro B Connector
L0603	L1	Inductors
R0603	R1, R2, R3	RESISTOR, American symbol
SSA22/DPDT	S1	SW SLIDE DPDT 2POS SSA SER 30V
EVQP2	S2	
TESTPOINT_0.040IN	TP1-TP37	0.040in Test Point
ATUM	U1	Atum sensorboard prototyping module.
QFN32	U2	FTDI USB

Sheet1

DIGIKEY	MOUSER	NEWARK
445-1316-1-ND	810-C1608X7R1E104K	
478-1655-1-ND	581-TAJA106K016R	
609-3364-ND	649-68602-116HLF	20M2833
277-1279-ND	651-1725711	71C4111
609-3491-ND	649-67996-114HLF	30M1973
277-1278-ND	651-1725708	14X4980
277-1274-ND	651-1725669	71C4108
609-3461-ND	649-68000-103HLF	88K1775
H11574CT-ND	798-ZX62R-B-5P	69W0714
240-2373-1-ND	875-MI0603K300R-10	
450-1604-ND	506-SSA22	50F5561
P11084SCT-ND	667-EVQ-P2K02Q	
5001K-ND	534-5001	
768-1008-1-ND	895-FT232RQ	91K9919