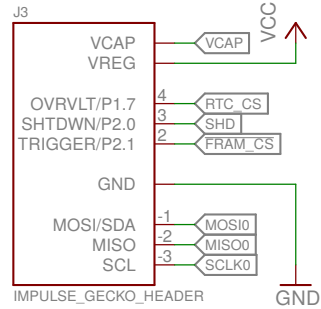
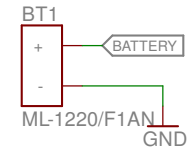




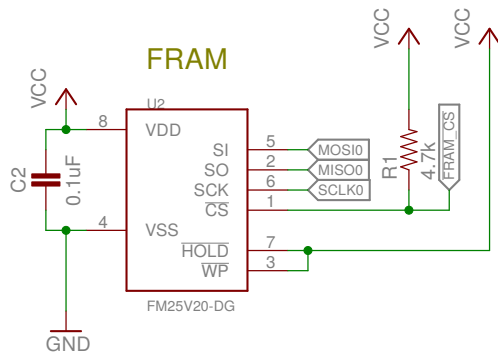
### Impulse Connection



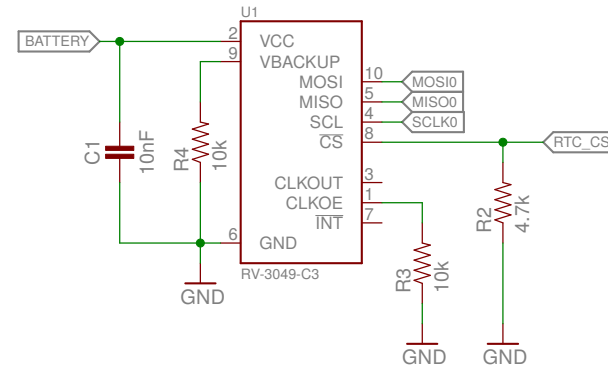
### Battery



### FRAM



### RTC

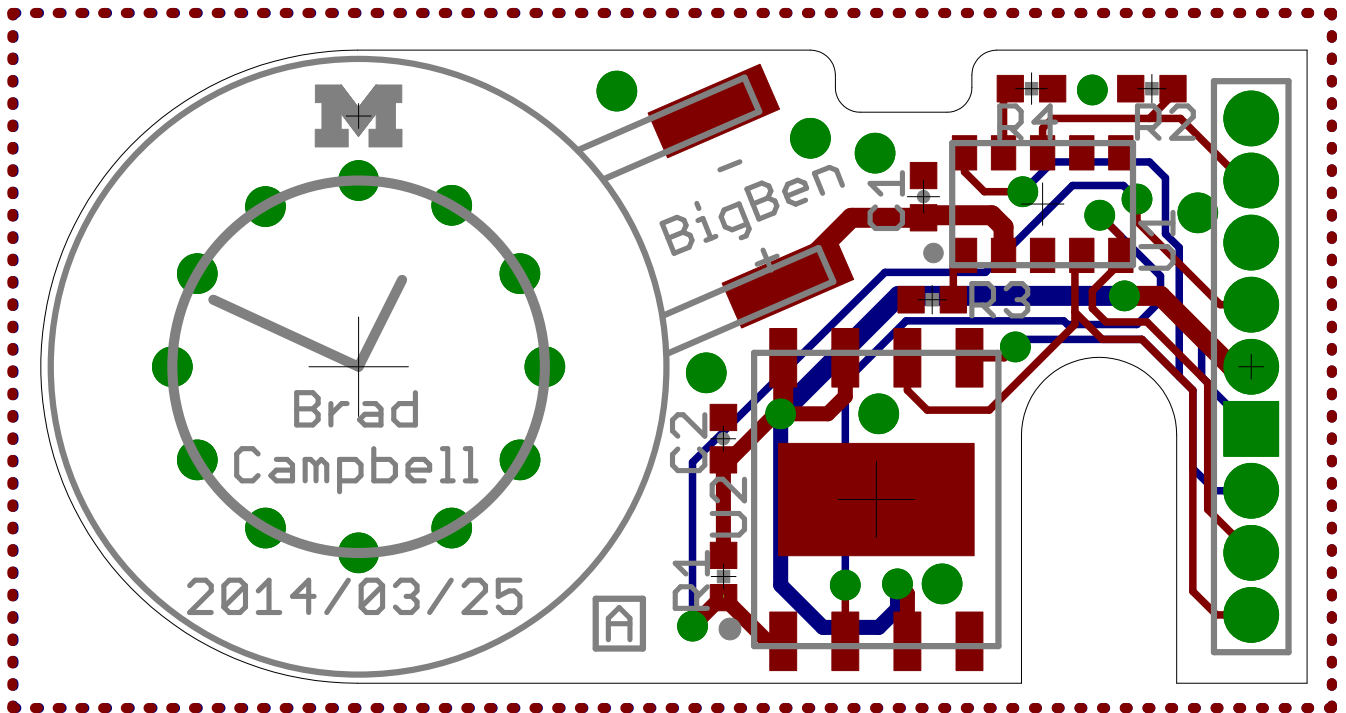


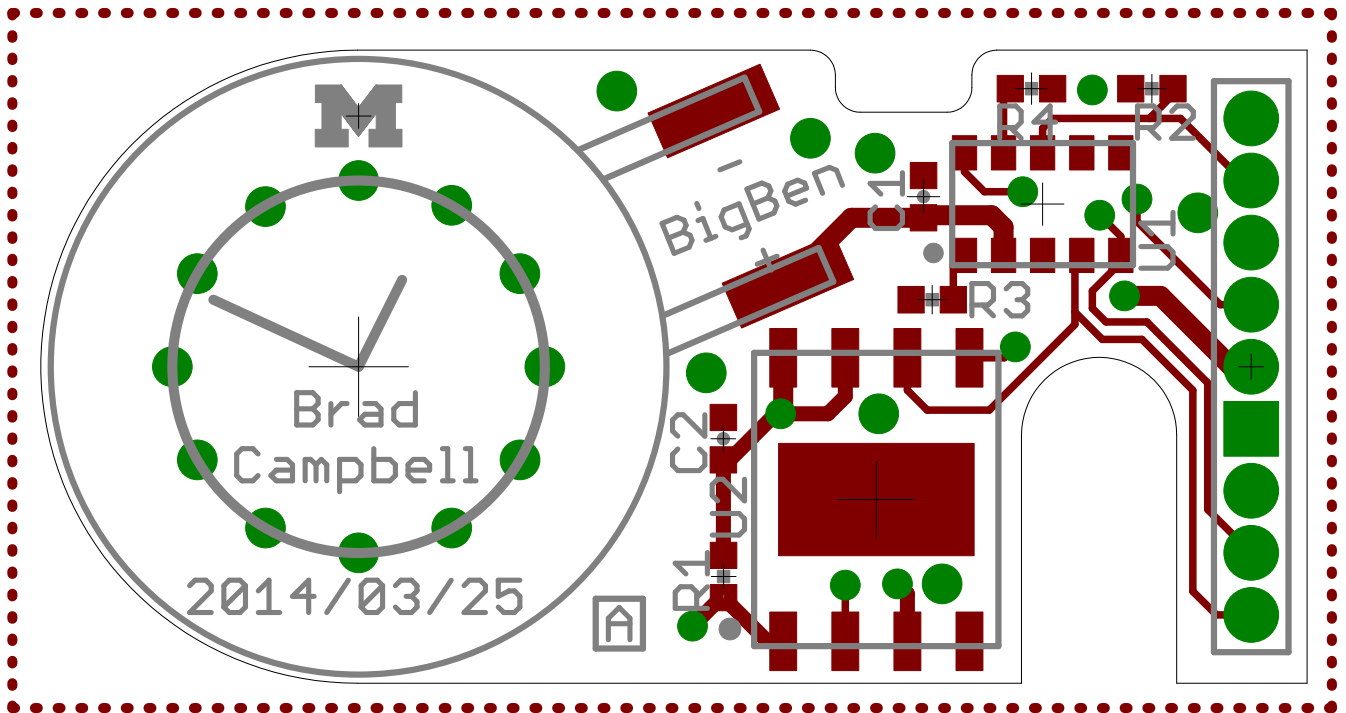
REV:  
A

Author: Brad Campbell

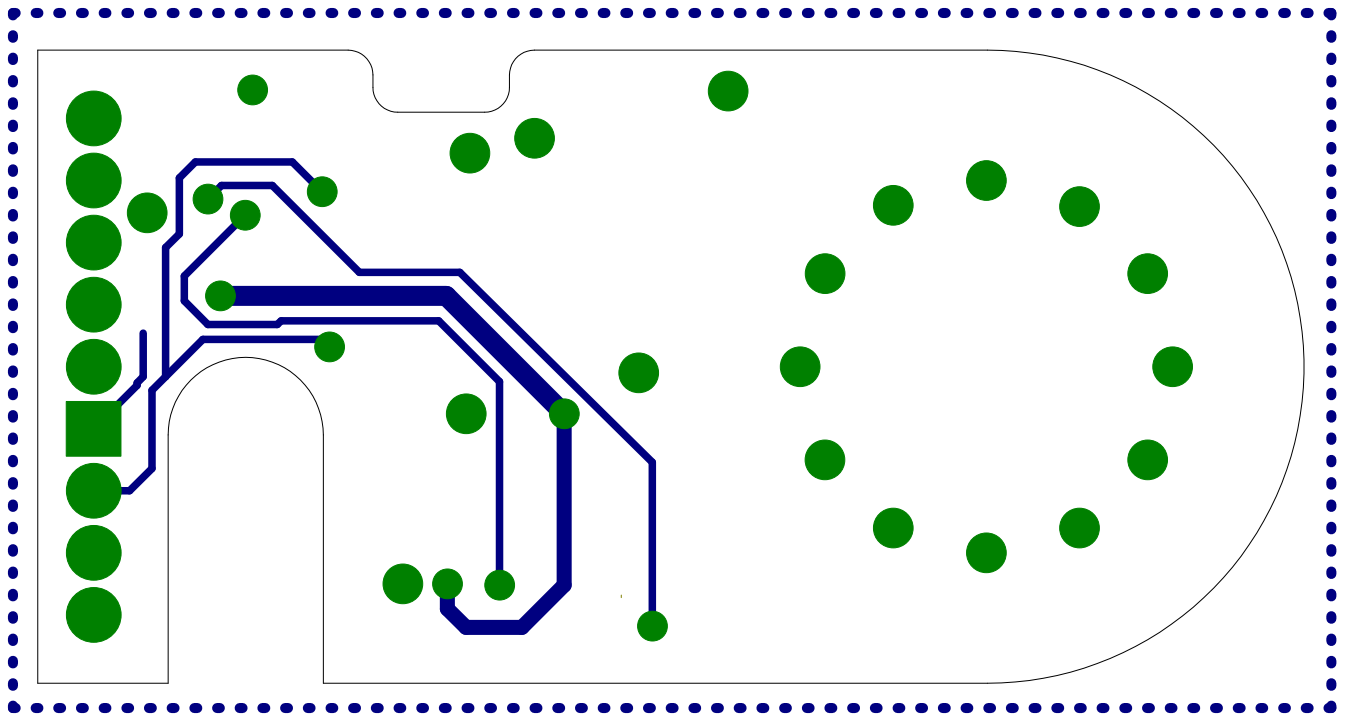
Date: 5/19/14 1:56 PM

Sheet: 1/1

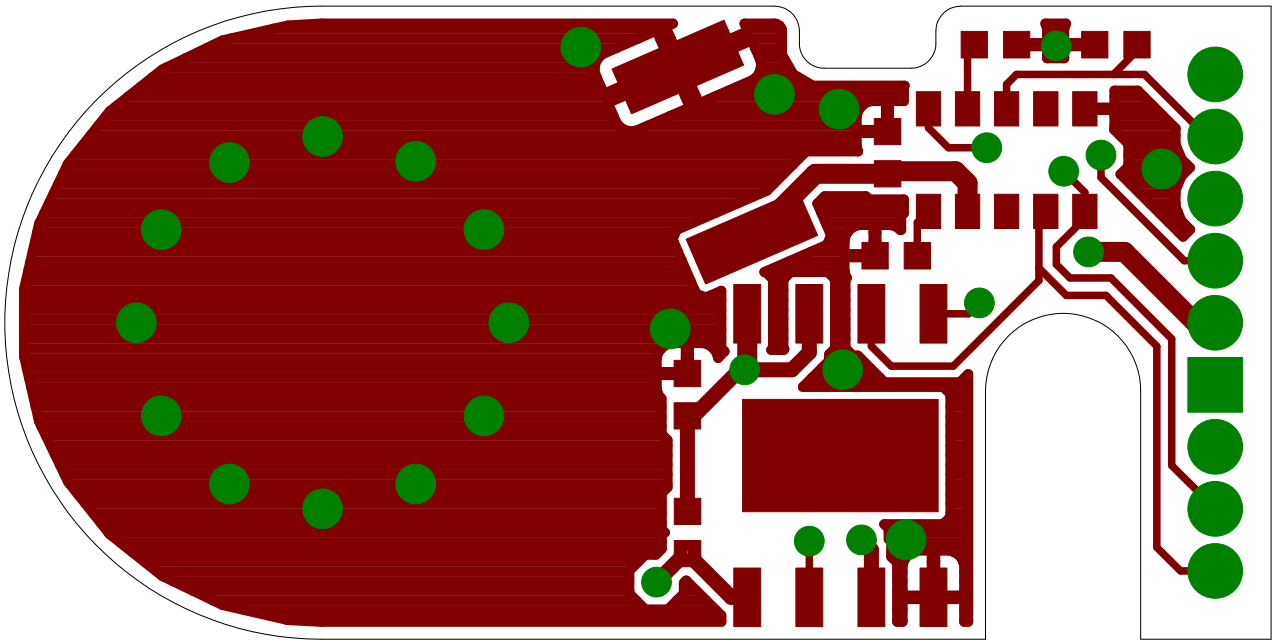




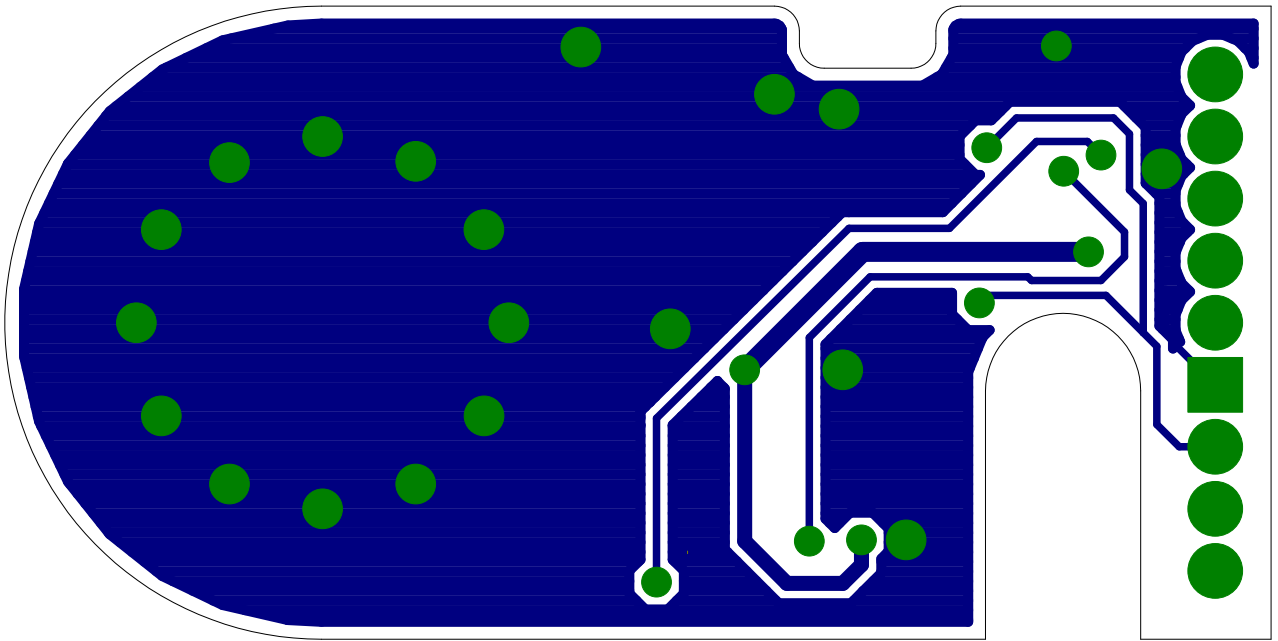
Bottom Layer

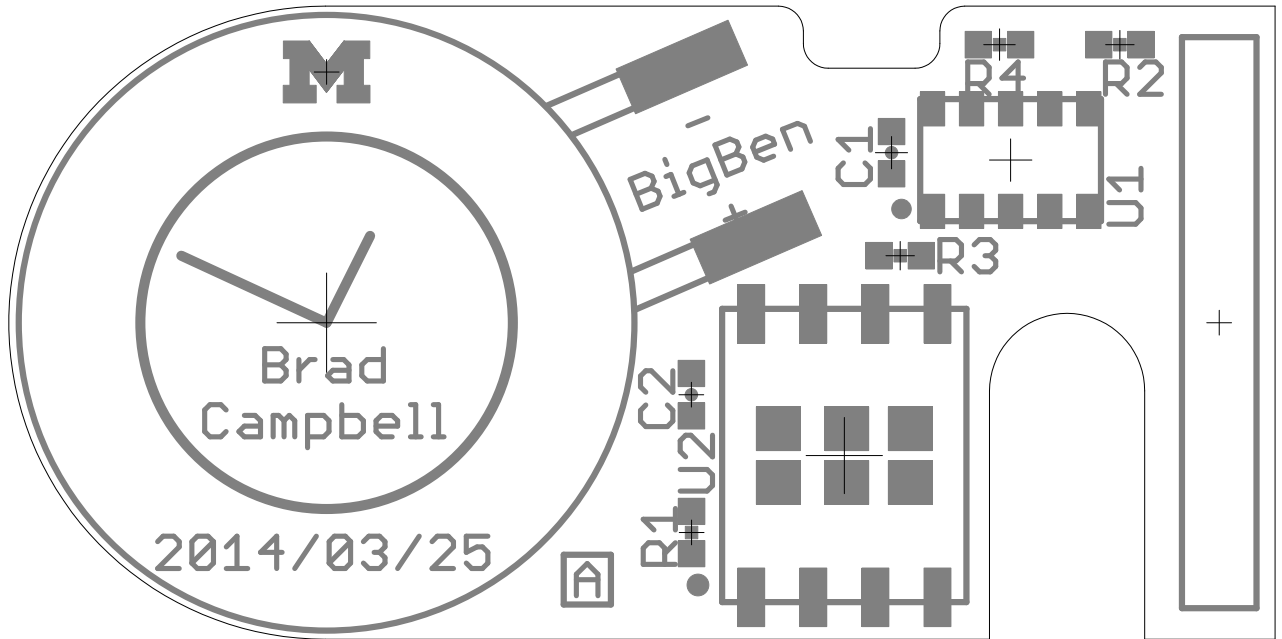


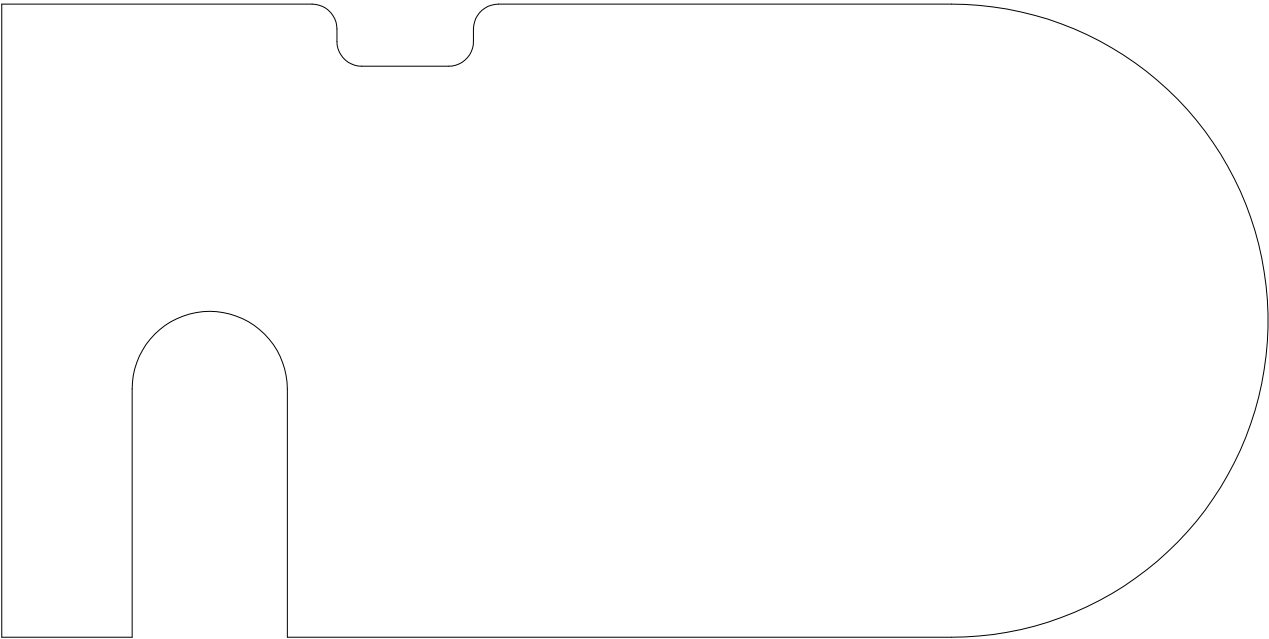
Top Copper Layer



Bottom Copper Layer

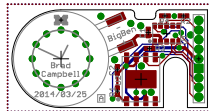




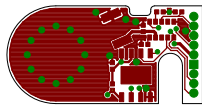




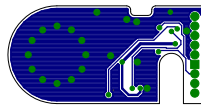
Top and Bottom Layers 1:1 Scale



Top Layer 1:1 Scale



Bottom Copper Layer 1:1 Scale



Sheet1

Qty	Value	Device	Package	Parts
1	ML-1220/F1AN	ML-1220/F1AN	ML-1220/F1BN	BT1
1	10nF	CAPACITOR	0402_CAP	C1
1	0.1uF	CAPACITOR	0402_CAP	C2
4	4.7k	RESISTOR	0402_RES	R1, R2
2	10k	RESISTOR	0402_RES	R3, R4
1	RV-3049-C3	RV-3049-C3	MICRO-CRYSTAL-C3	U1
1	FM25LBTFN-8	FM25LBTFN-8	TDFN-8	U2

Sheet1

Description	DIGIKEY	MOUSER
BATTERY LITH 3V RECHARGE PC PINS	P663-ND	658-ML-1220/F1BN
0402 Capacitor	445-1260-1-ND	
0402 Capacitor	445-1265-1-ND	
Resistor	RHM4.7KCECT-ND	
Resistor	RHM10KCECT-ND	
The RV-3049-C3 is an ultra miniature Real-Time-Clock Module IC FRAM 4KBIT 10MHZ 8SOIC		877-FM25V20-DG

**NEWARK**

---

90R7604

90R7585

RV-3049-C3