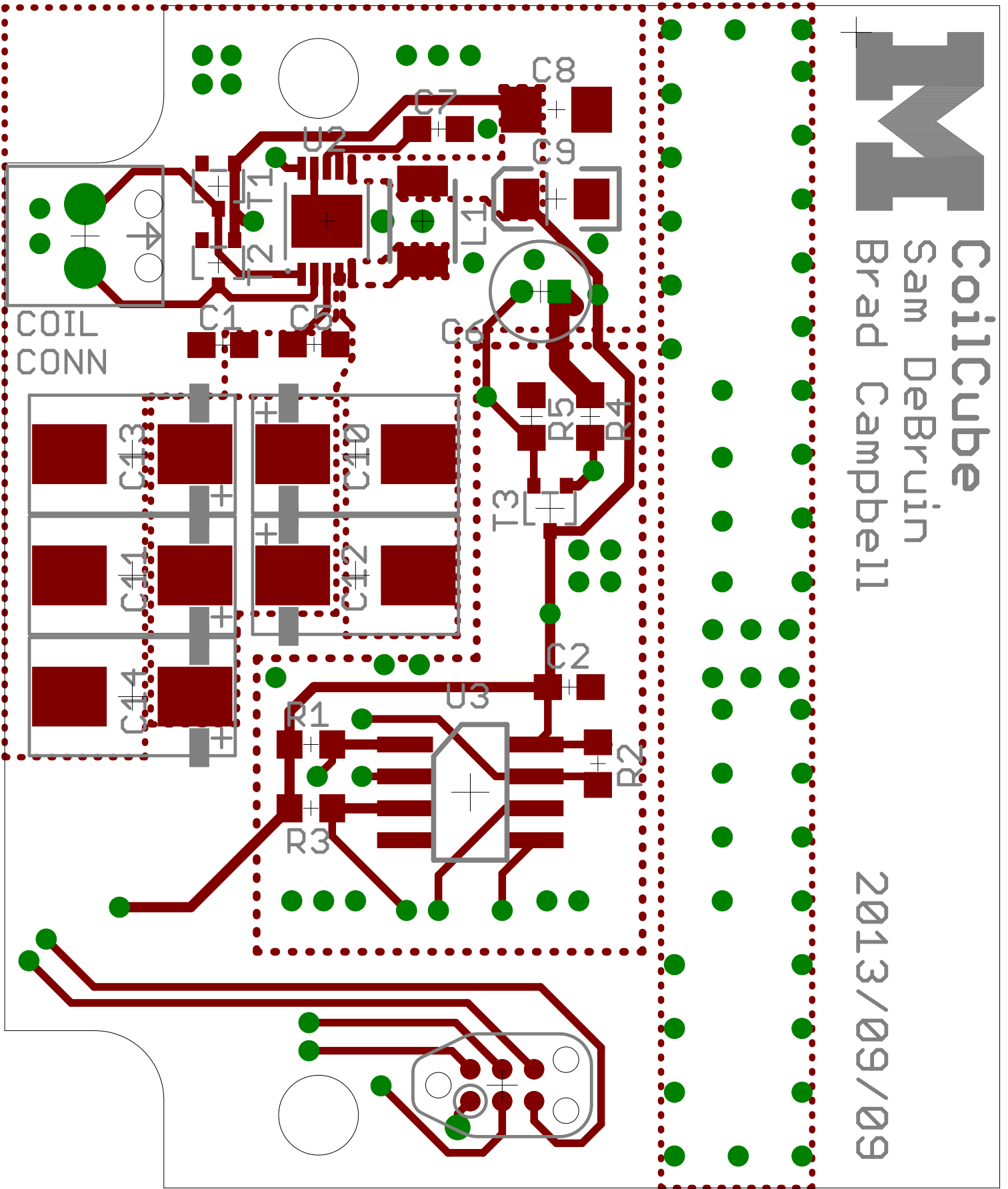


# Coilcube

Sam DeBruin  
Brad Campbell

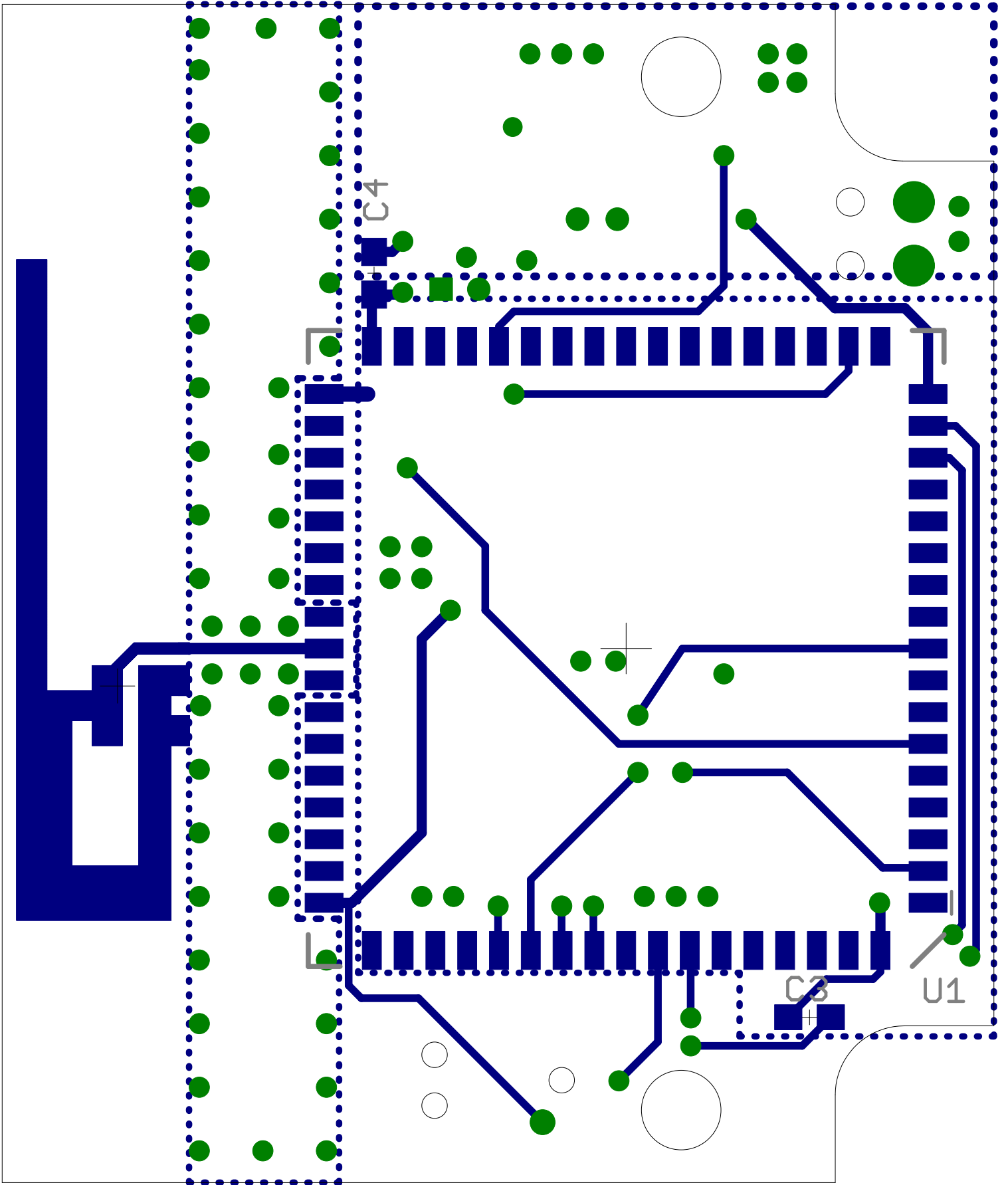
2013/09/09



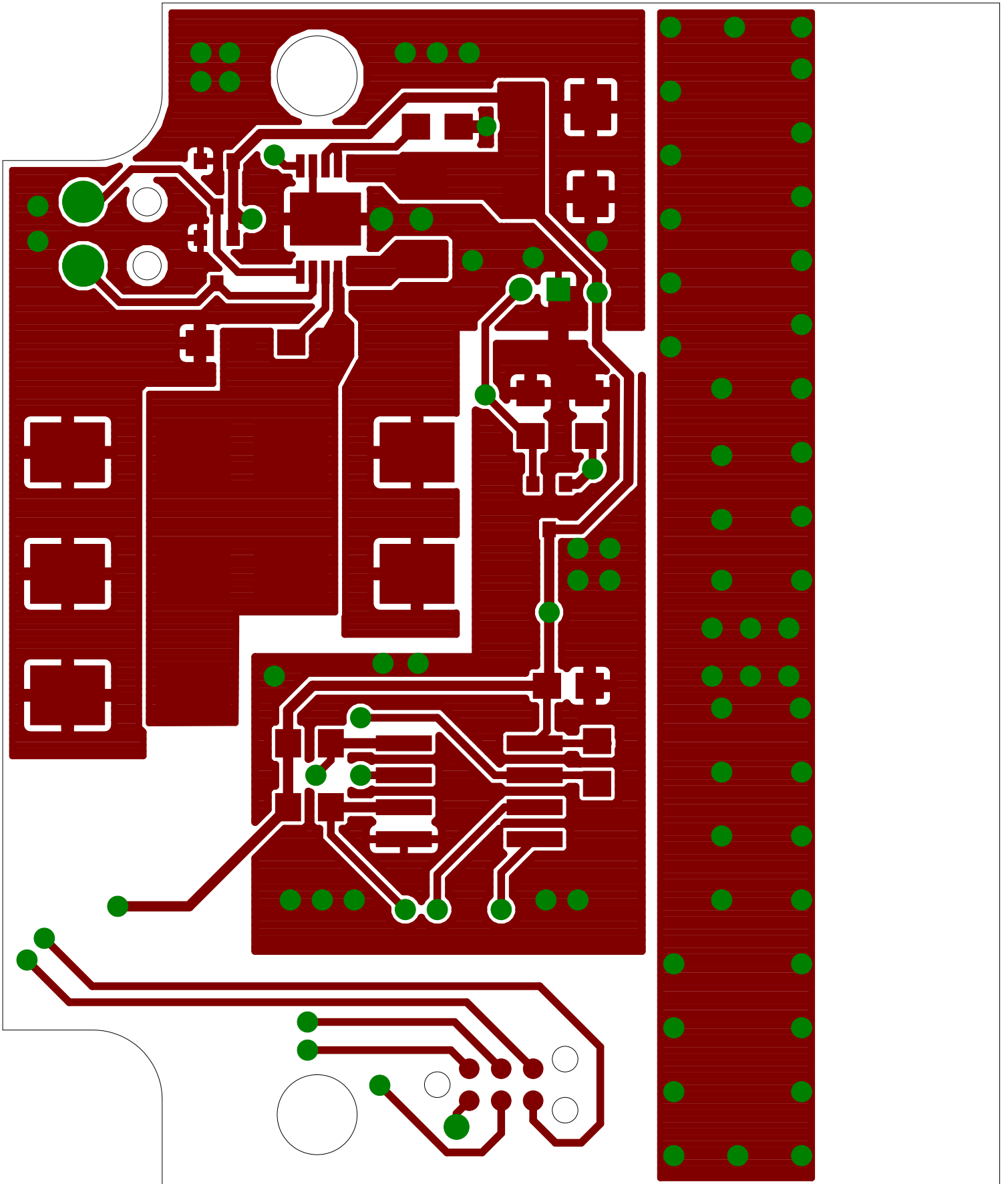
**MI** CoiICube  
Sam DeBruin  
Brad Campbell

2013/09/09

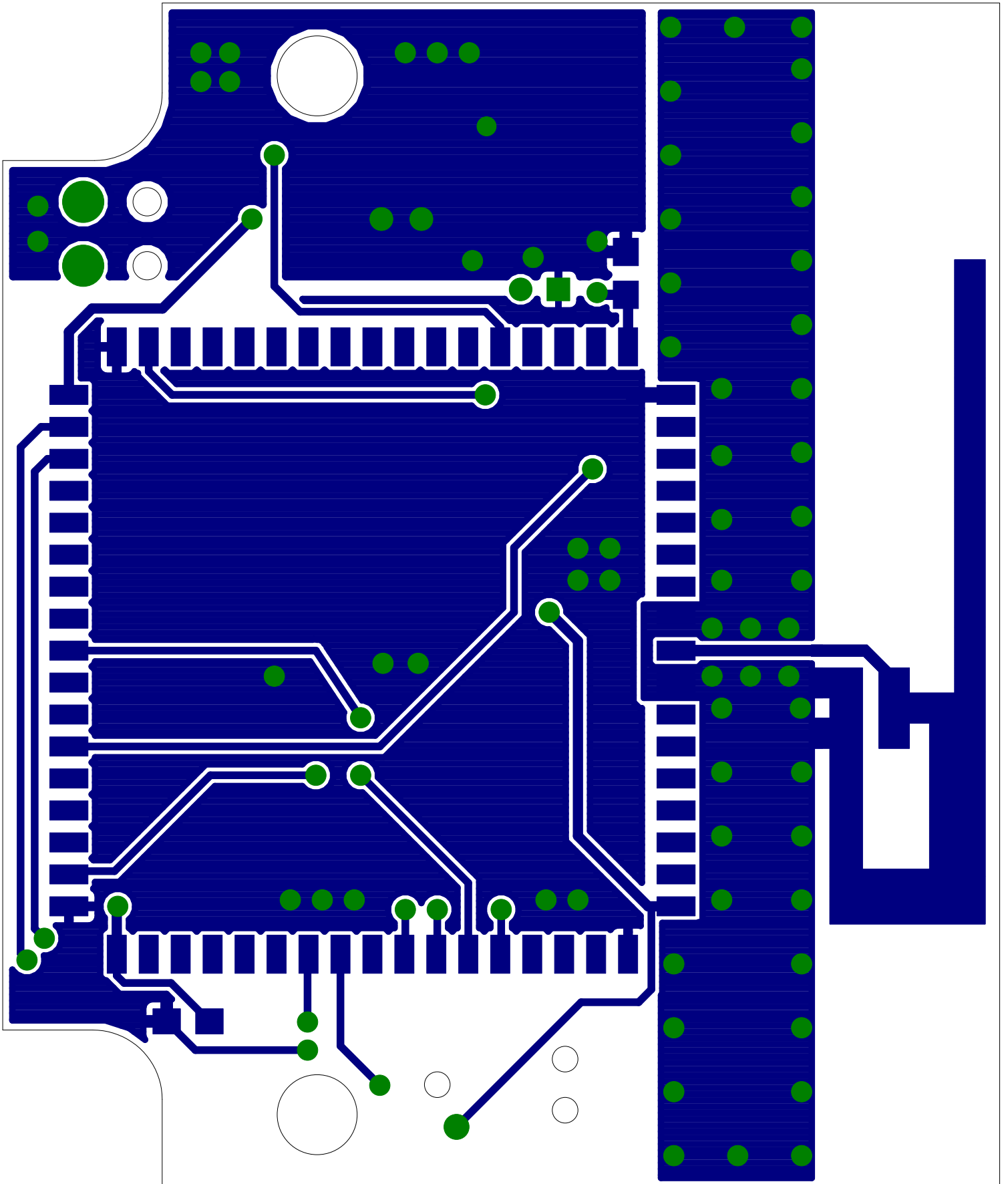
Bottom Layer

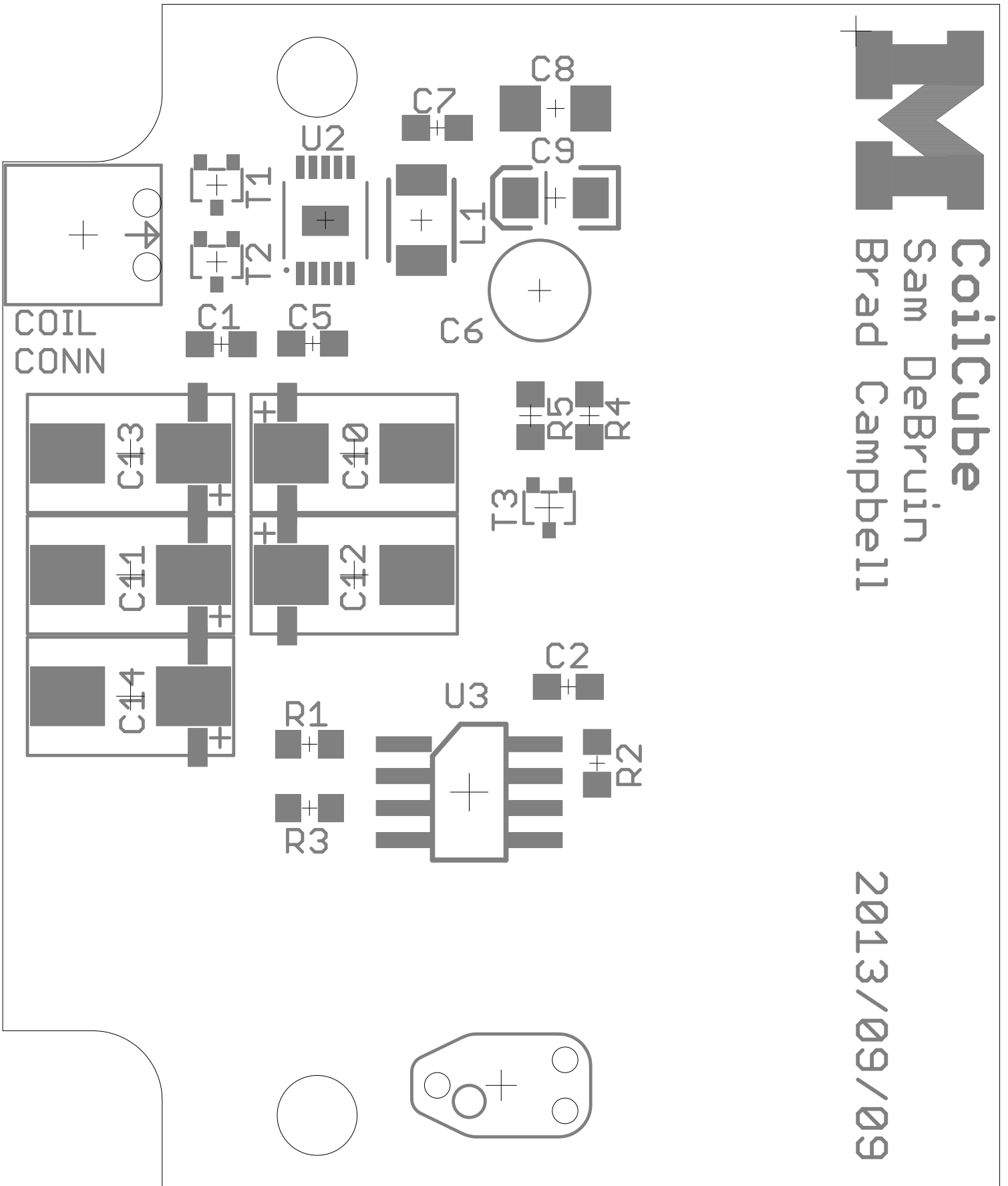


Top Copper Layer



Bottom Copper Layer



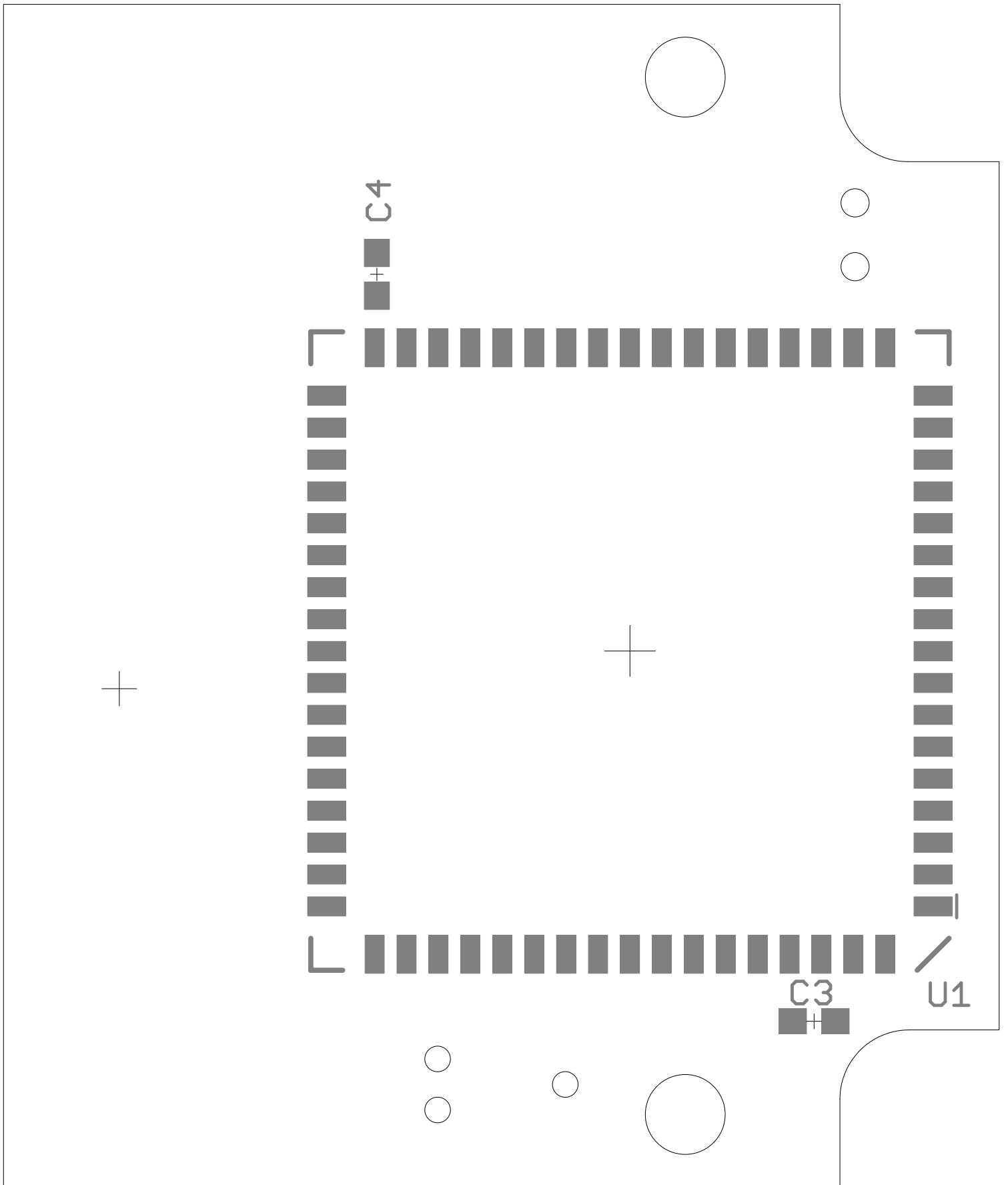


**MI** CoilCube  
Sam DeBruin  
Brad Campbell

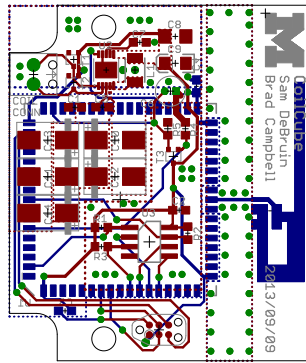
2013/09/09



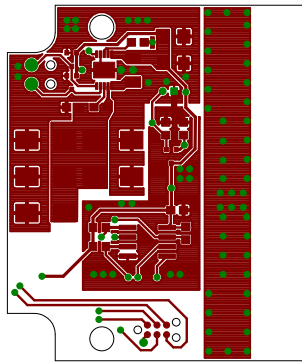
Bottom Paste Layer with Silkscreen



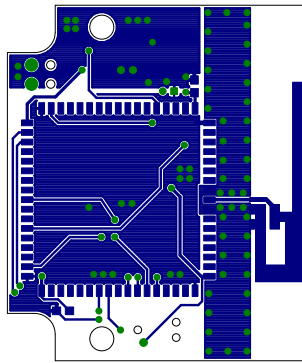
Top and Bottom Layers 1:1 Scale



Top Layer 1:1 Scale



Bottom Copper Layer 1:1 Scale



Sheet1

Qty	Value	Device	Package	Parts	Description	DIGIKEY	DIGIREEL	Notes
4	0.1uF	C-EUC0603	C0603	C1, C2, C3, C4	CAPACITOR, European symbol	445-1316-1-ND	445-1316-6-ND	
1	1uF	C-EUC0603	C0603	C5	CAPACITOR, European symbol	445-1321-1-ND	445-1321-6-ND	
12	2.2uF	CAP_POLEA1MM5	CPOL_EEA_1MM5	C6		P14506-ND		
14	7uF	C-EUC0603	C0603	C7	CAPACITOR, European symbol	445-5178-1-ND	445-5178-6-ND	
1	10uF	C-EUC1206	C1206	C8	CAPACITOR, European symbol	399-8152-1-ND	399-8152-6-ND	
1	47uF	CAP_POL1206	EIA3216	C9	Capacitor Polarized	399-3700-1-ND	399-3700-6-ND	
5	100uF 25V	2917_CAP_POL	2917_CAP_POL	C10, C11, C12, C13, C14		399-5175-1-ND	399-5175-6-ND	Replacement: 399-8410-1-ND
1	SCREW-TERMINAL_2_0.10	SCREW-TERMINAL_2_0.10	CONN_BLOCK_2	J1	2x 0.100 in screw terminal block	277-1273-ND		
1	10uH	INDUCTOR1210	1210	L1	Inductors	587-1625-1-ND	587-1625-6-ND	
3	4.7k	R-US_R0603	R0603	R1, R2, R3	RESISTOR, American symbol	P4.7KGCT-ND	P4.7KGDKR-ND	
1	1M	R-US_R0603	R0603	R4	RESISTOR, American symbol	RHM1.00MCFCT-ND	RHM1.00MCFDKR-ND	
1	4.7M	R-US_R0603	R0603	R5	RESISTOR, American symbol	RHM4.7MCGCT-ND	RHM4.7MCGDKR-ND	
2	NCHAN_MOSFET	NCHAN_MOSFET	NCHAN_MOSFET	T1, T2		SI1302DL-T1-GE3CT-ND	SI1302DL-T1-GE3DKR-ND	
1	NCHAN_MOSFET	NCHAN_MOSFET	NCHAN_MOSFET	T3		568-3244-1-ND	568-3244-6-ND	
1	EPIC-CORE_A	EPIC-CORE_A	EPIC-LCC68	U1				Customer provided.
1	LTC3588_	LTC3588_	MSOP-10-GNDPADU2		Energy Harvesting Power Suppl	LTC3588EMSE-1#PBF-ND		
1	FM25LB	FM25LB	SOIC_8	U3		428-3210-ND		