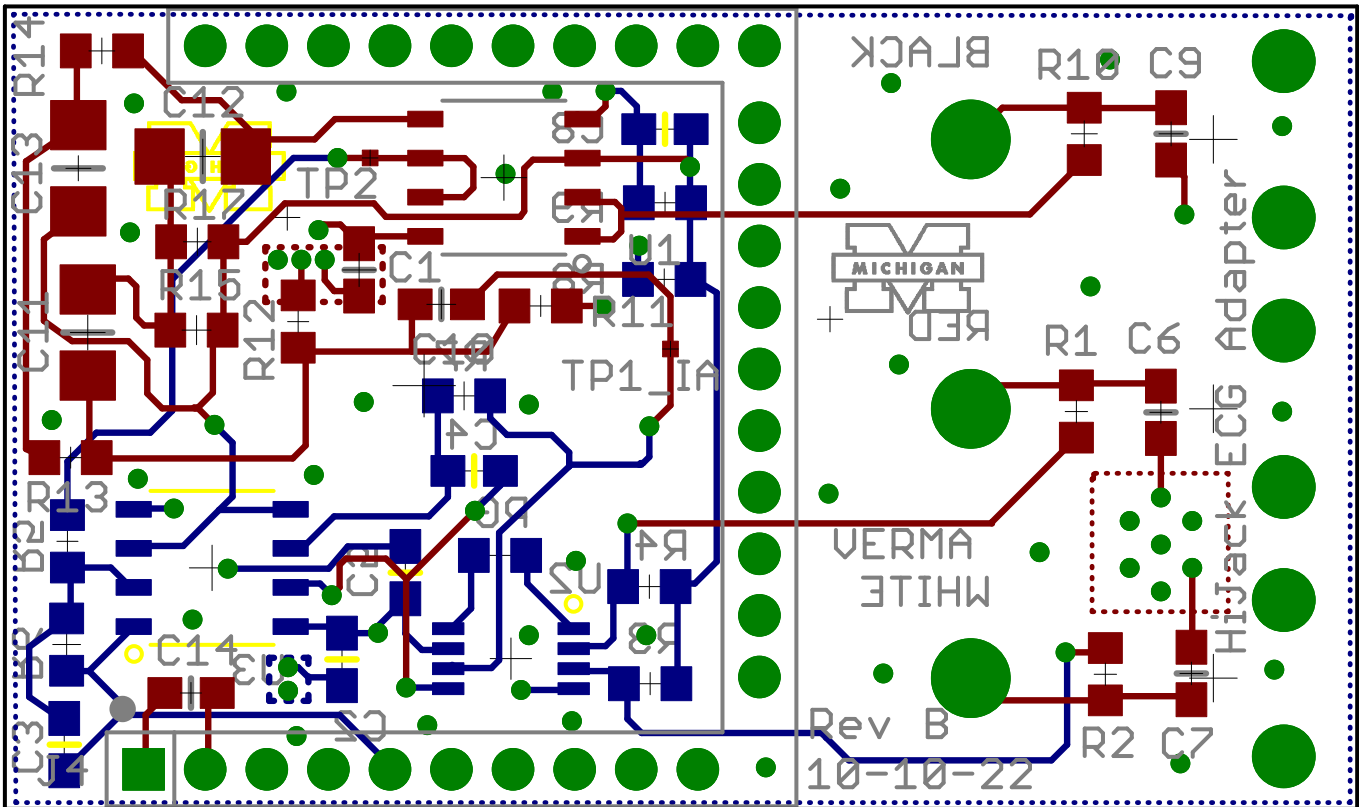
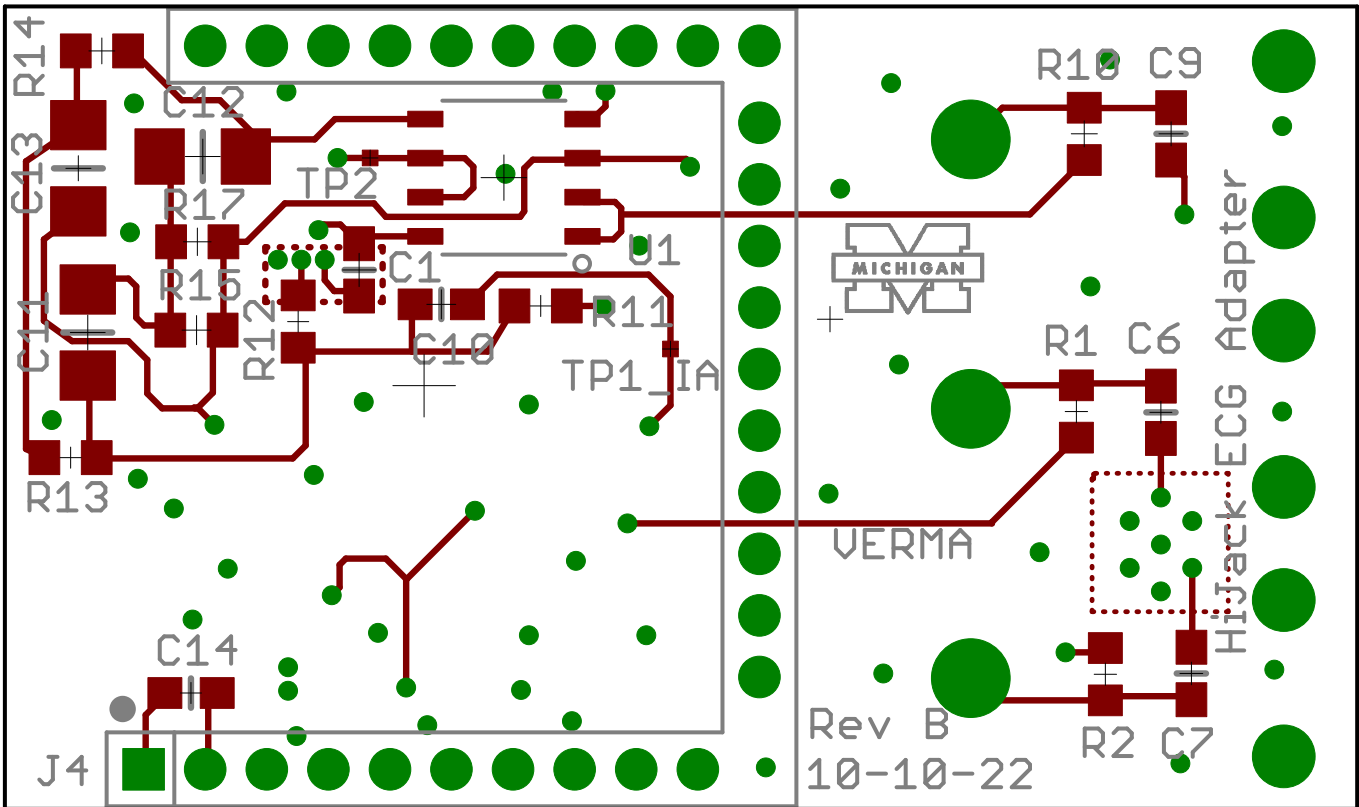
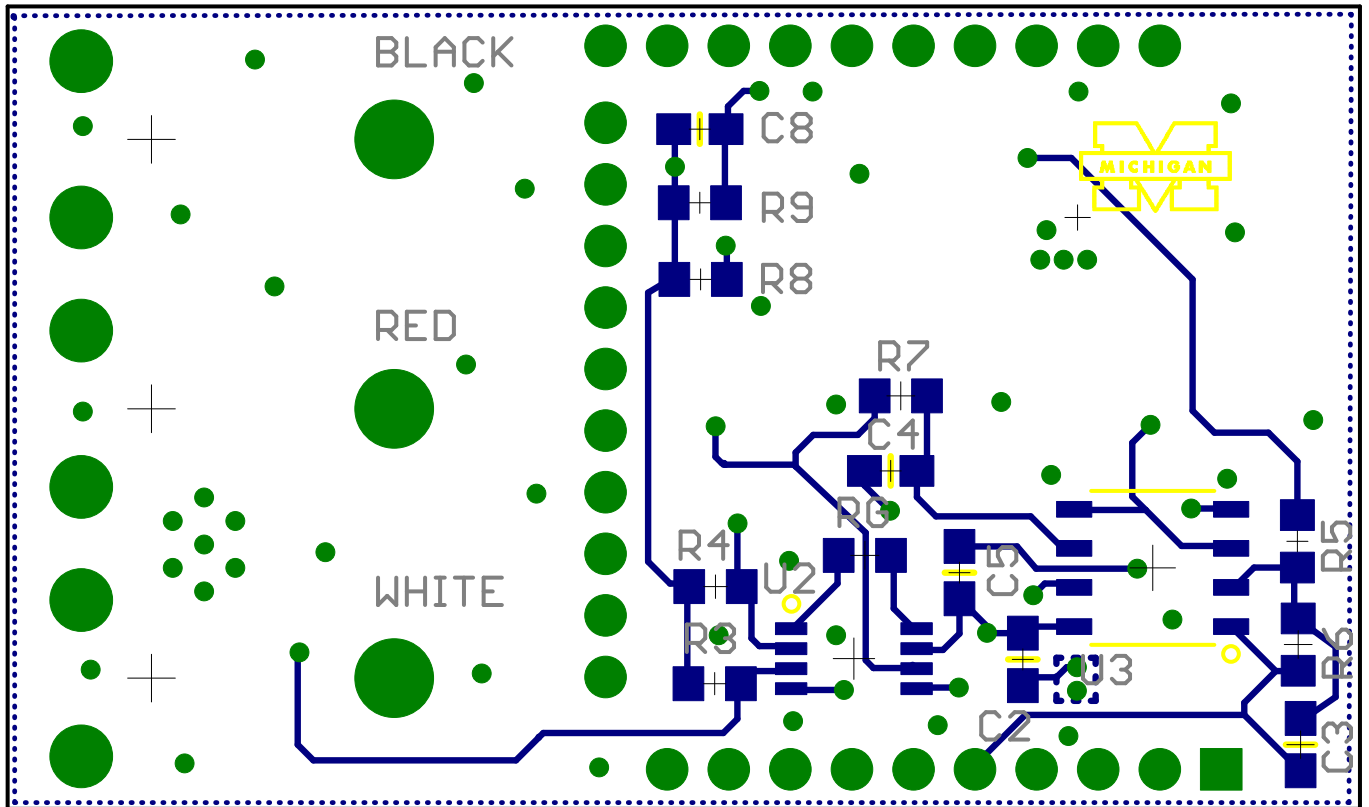


TITLE: ECG_Sensor	
Document Number:	REV:
Date: 1/9/14 1:59 AM	Sheet: 1/1

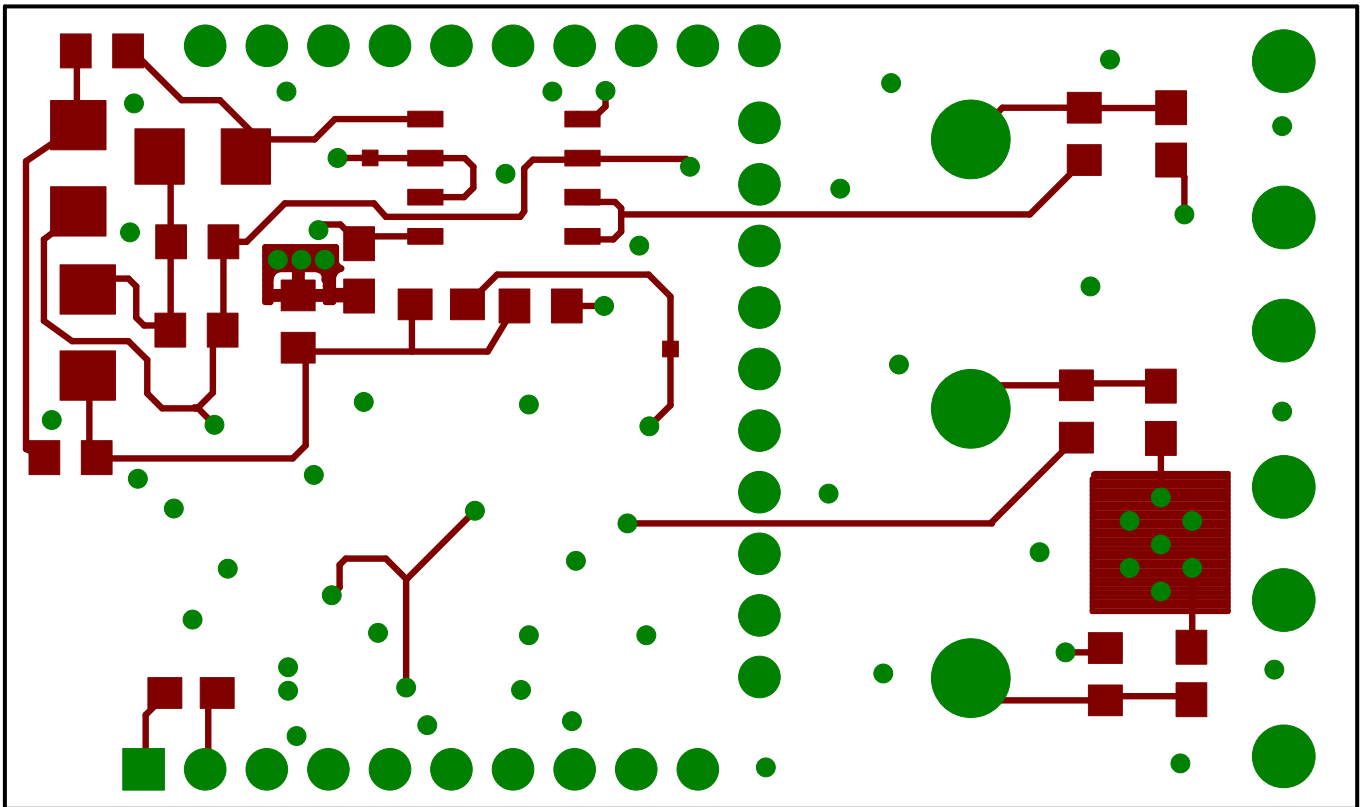
Top and Bottom Layers



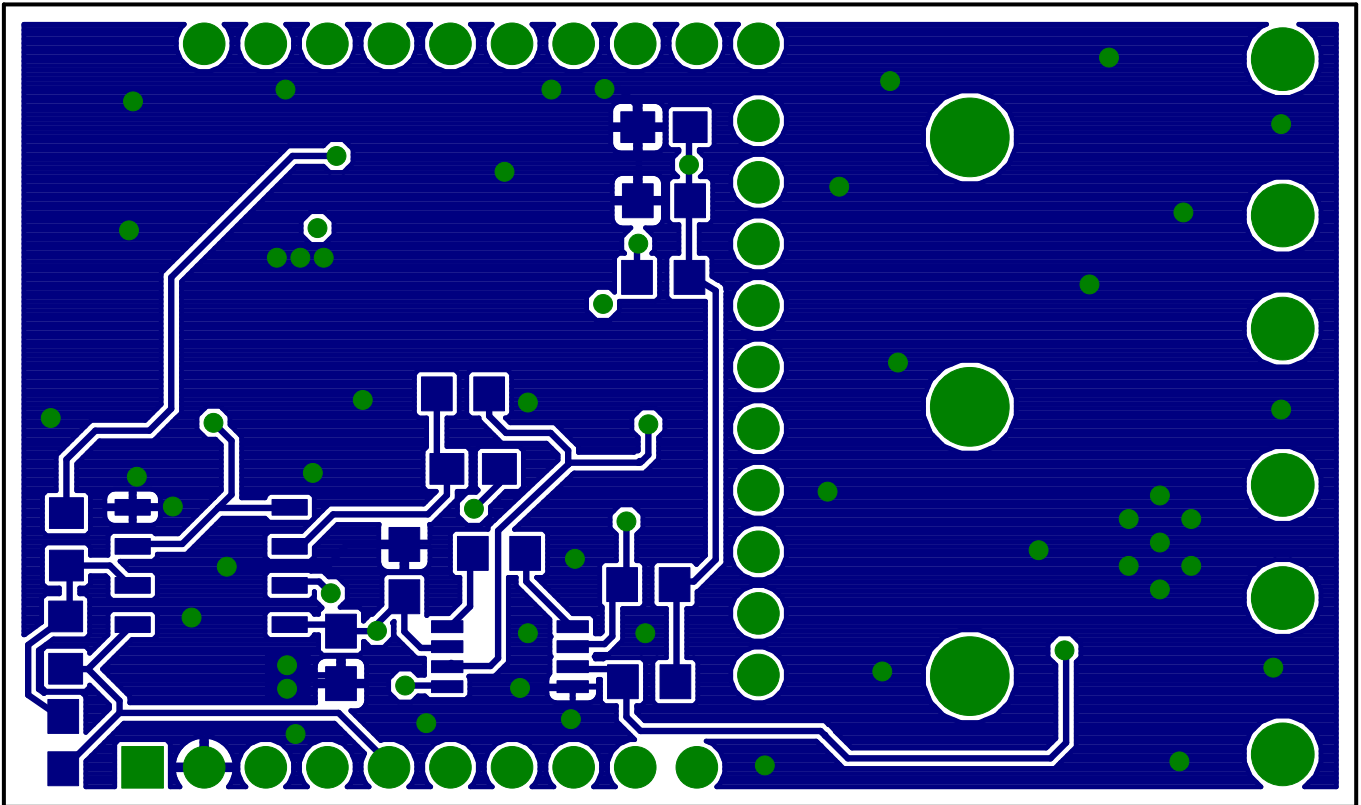


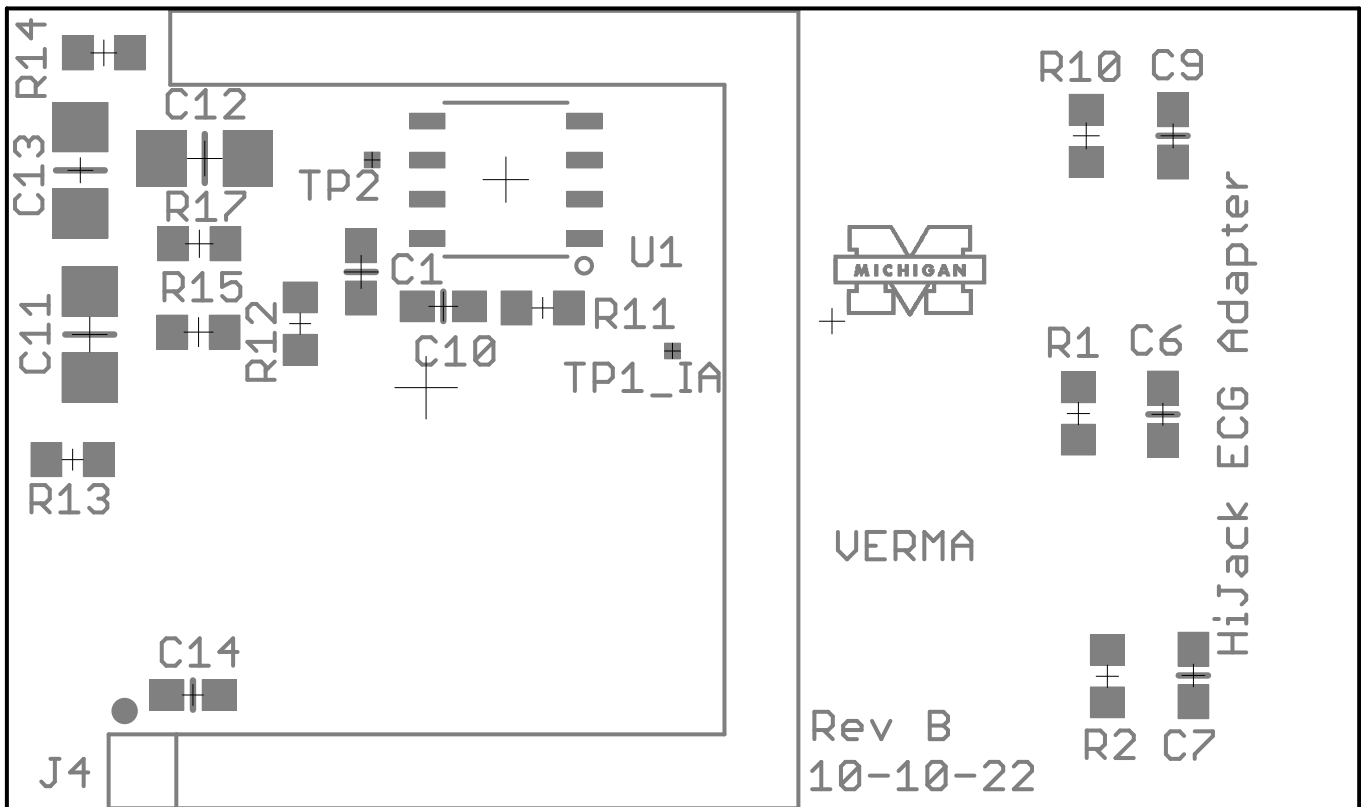


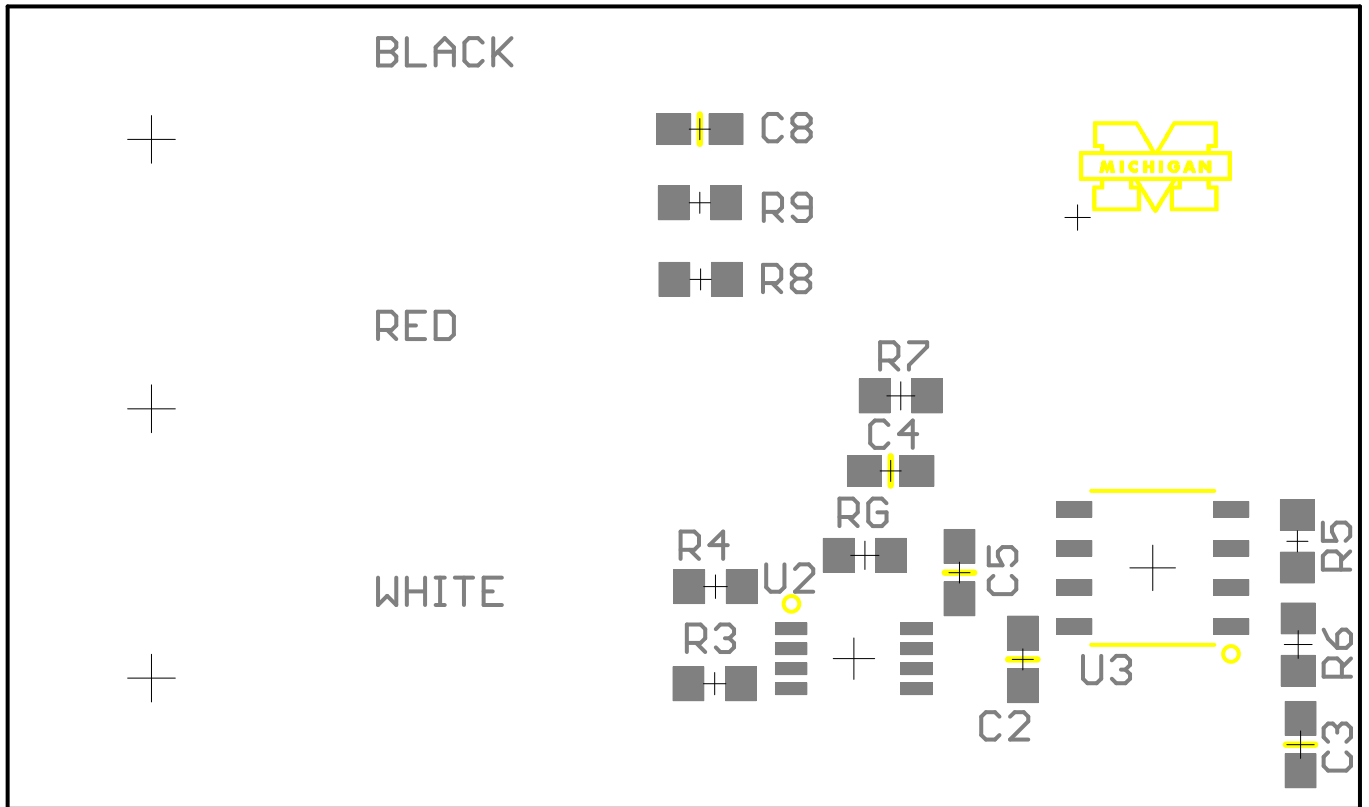
Top Copper Layer



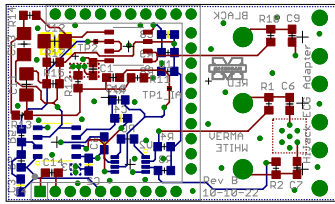
Bottom Copper Layer



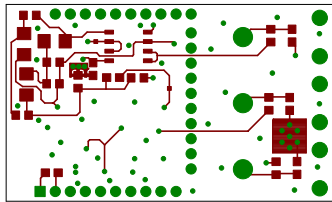




Top and Bottom Layers 1:1 Scale



Top Layer 1:1 Scale



Bottom Copper Layer 1:1 Scale

