

Voltage Detection Circuit Switching Regulator

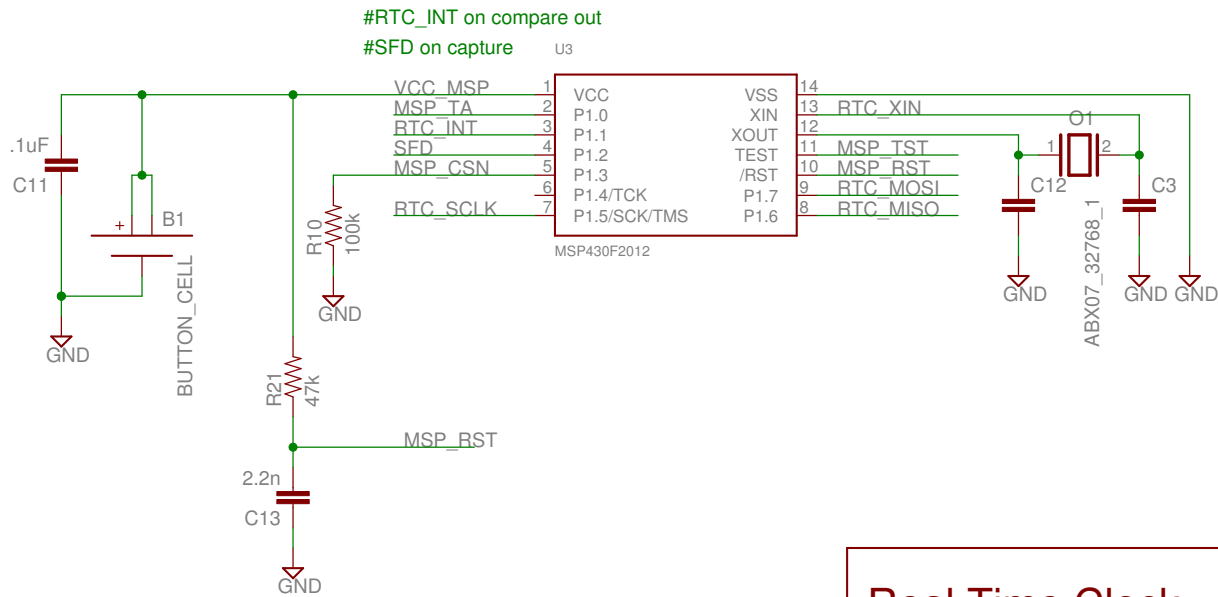
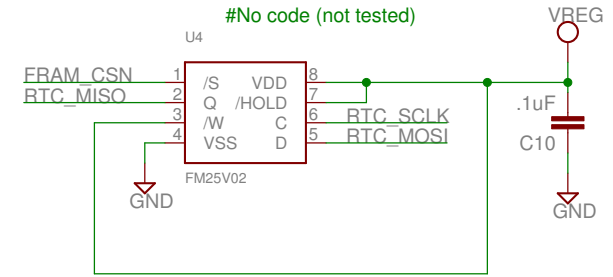
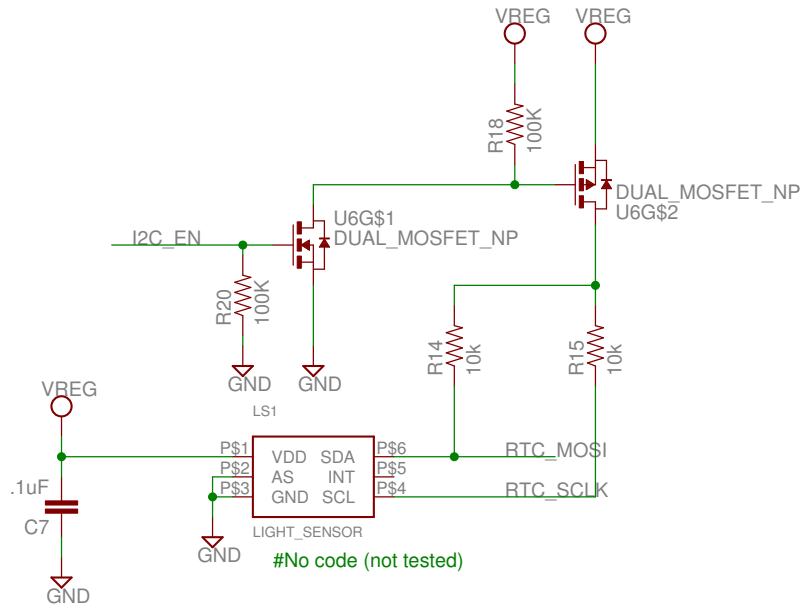
TITLE: gecko

Document Number:

REV:

Date: 10/21/13 1:51 PM

Sheet: 2/3



Real Time Clock + FRAM + Light Sensor

TITLE: gecko

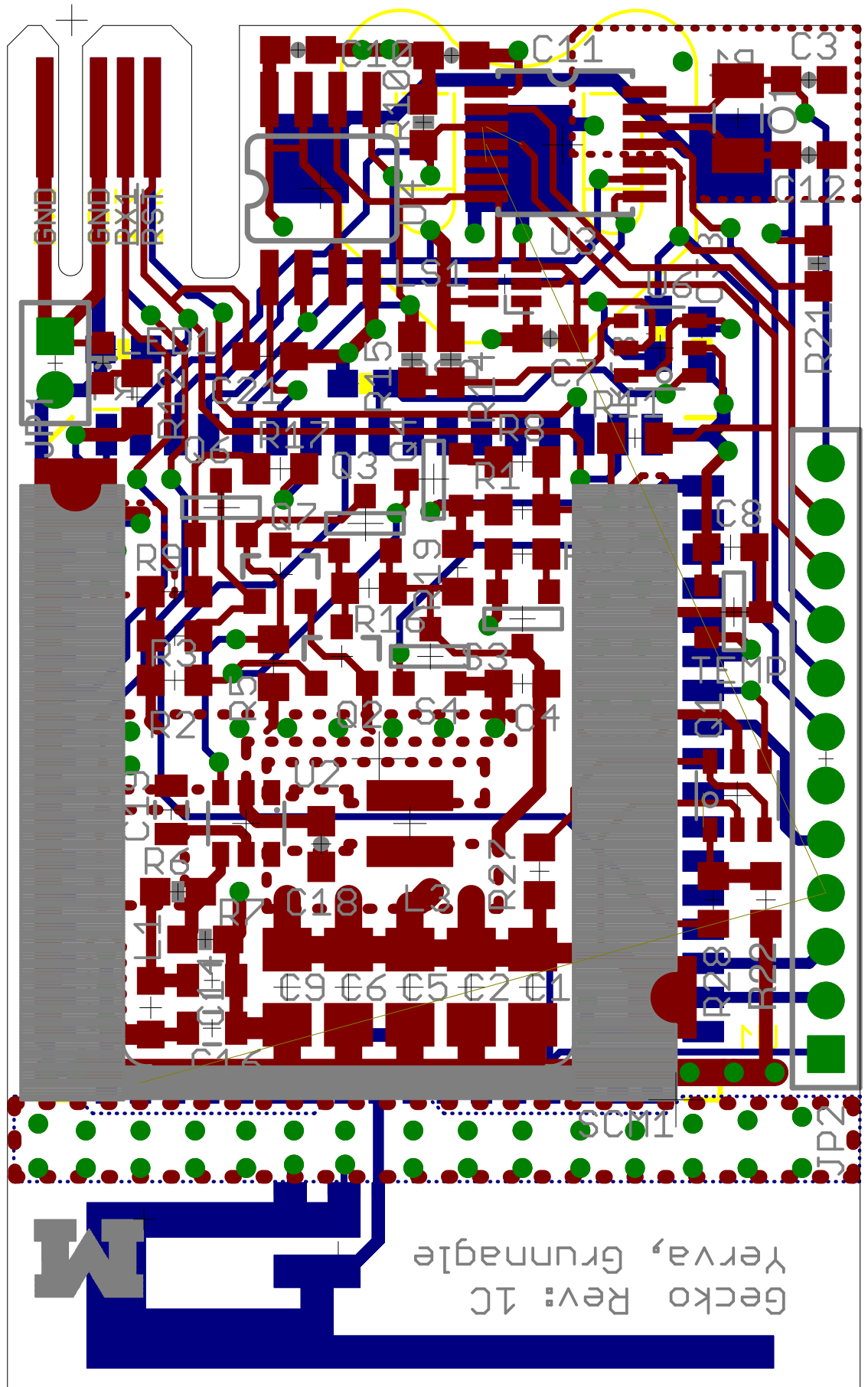
Document Number:

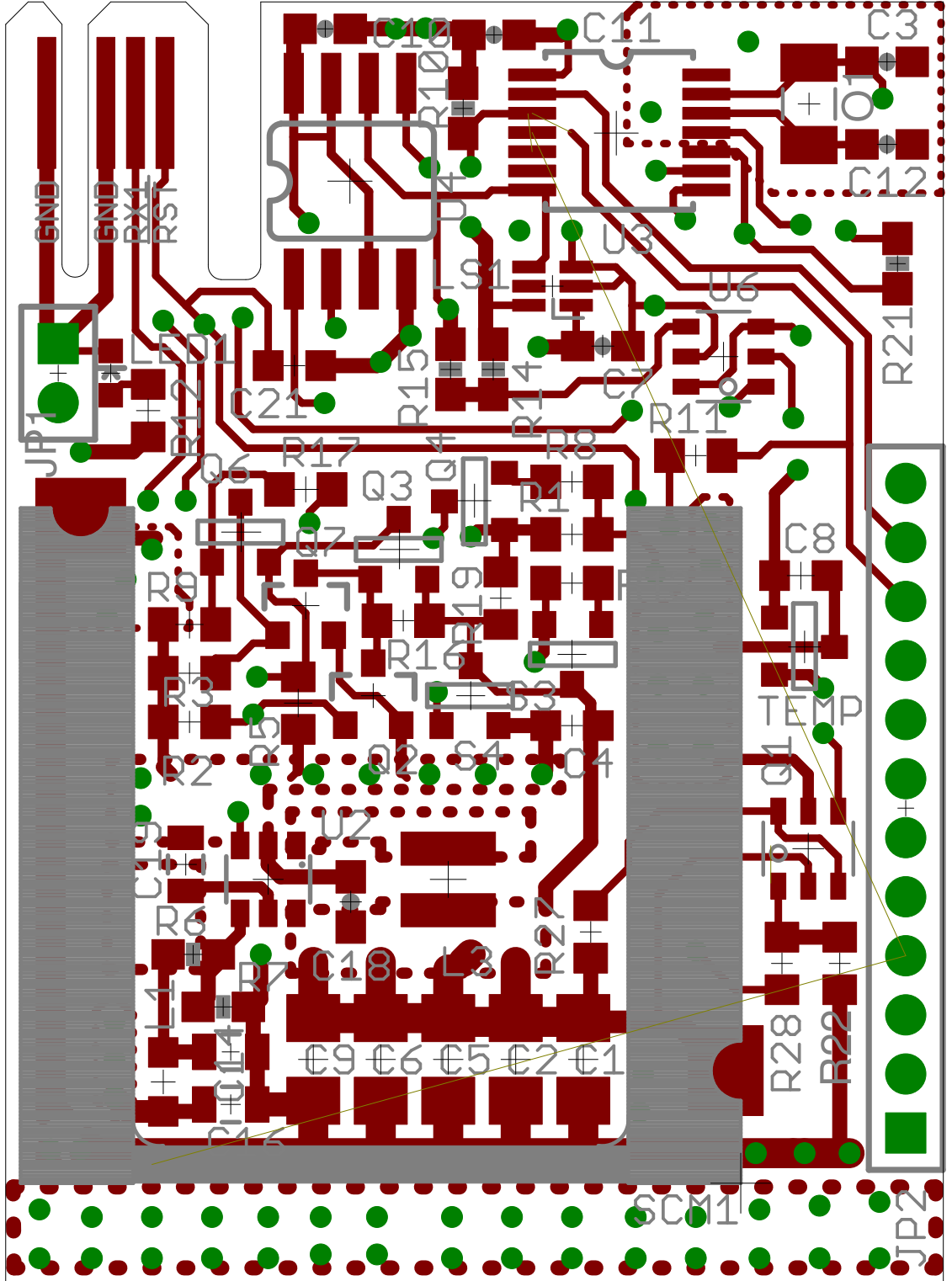
REV:
c

Date: 10/21/13 1:51 PM

Sheet: 3/3

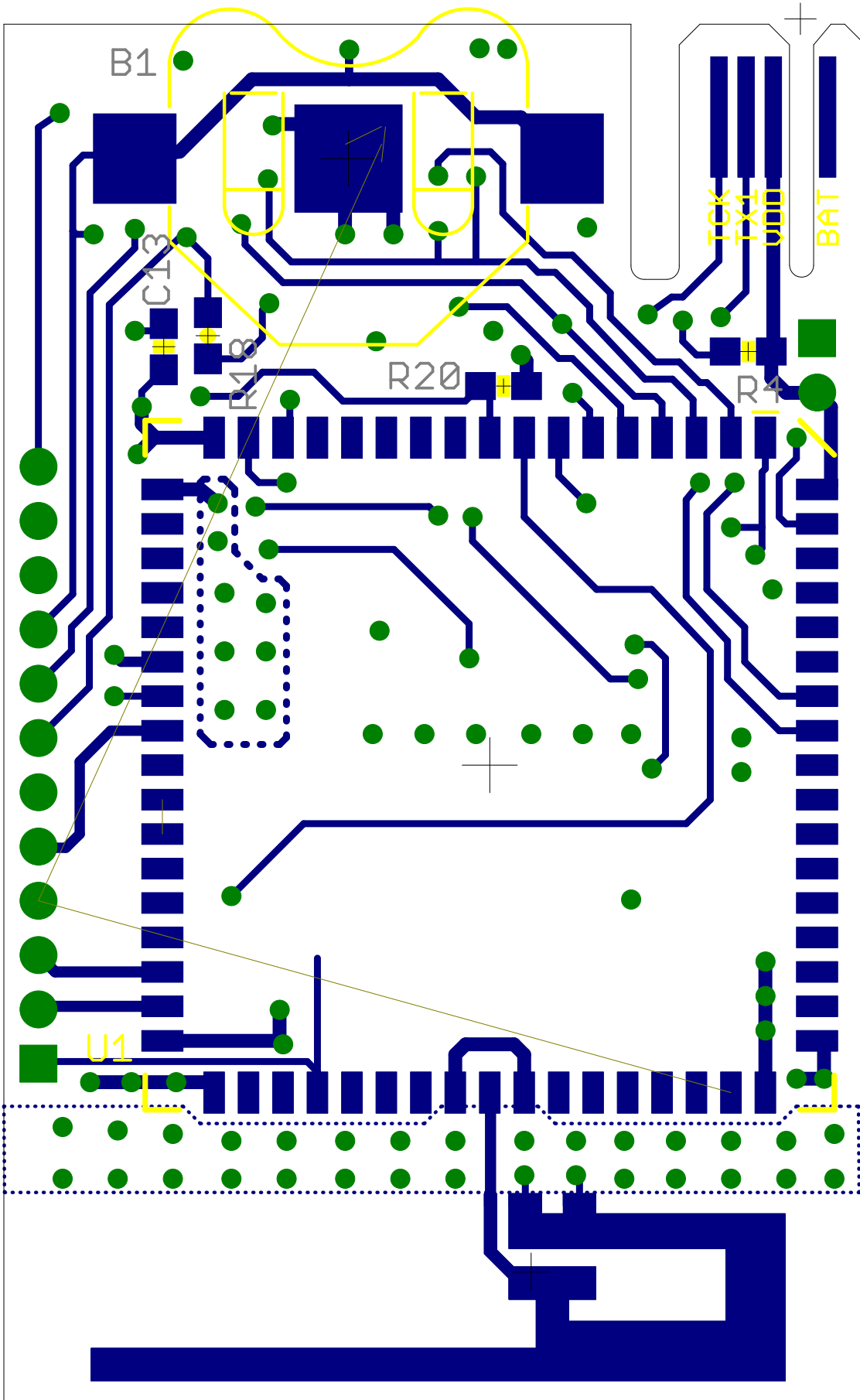
Top and Bottom Layers



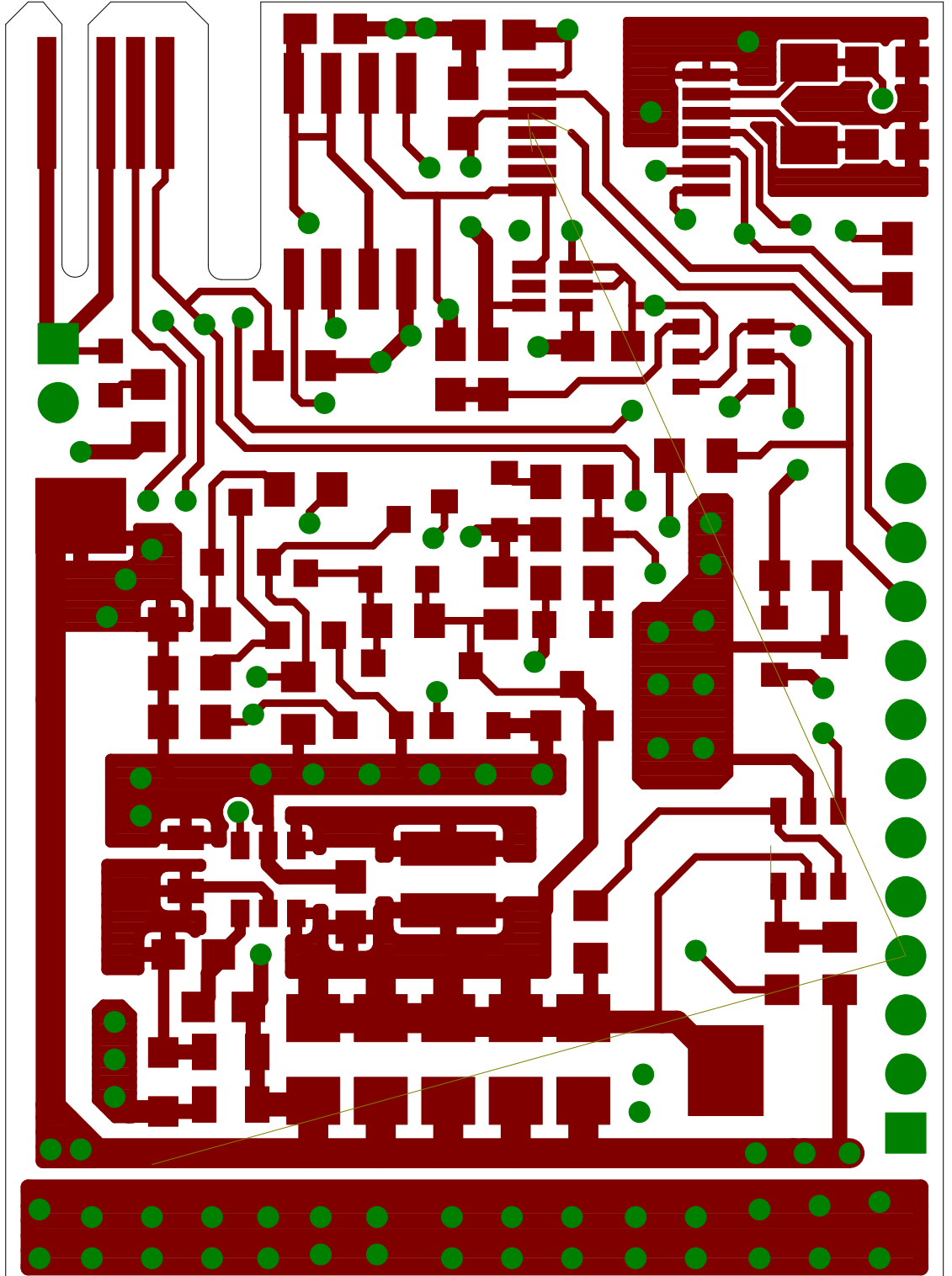


Gecko Rev: 1C
Yerva, Grunnaqle

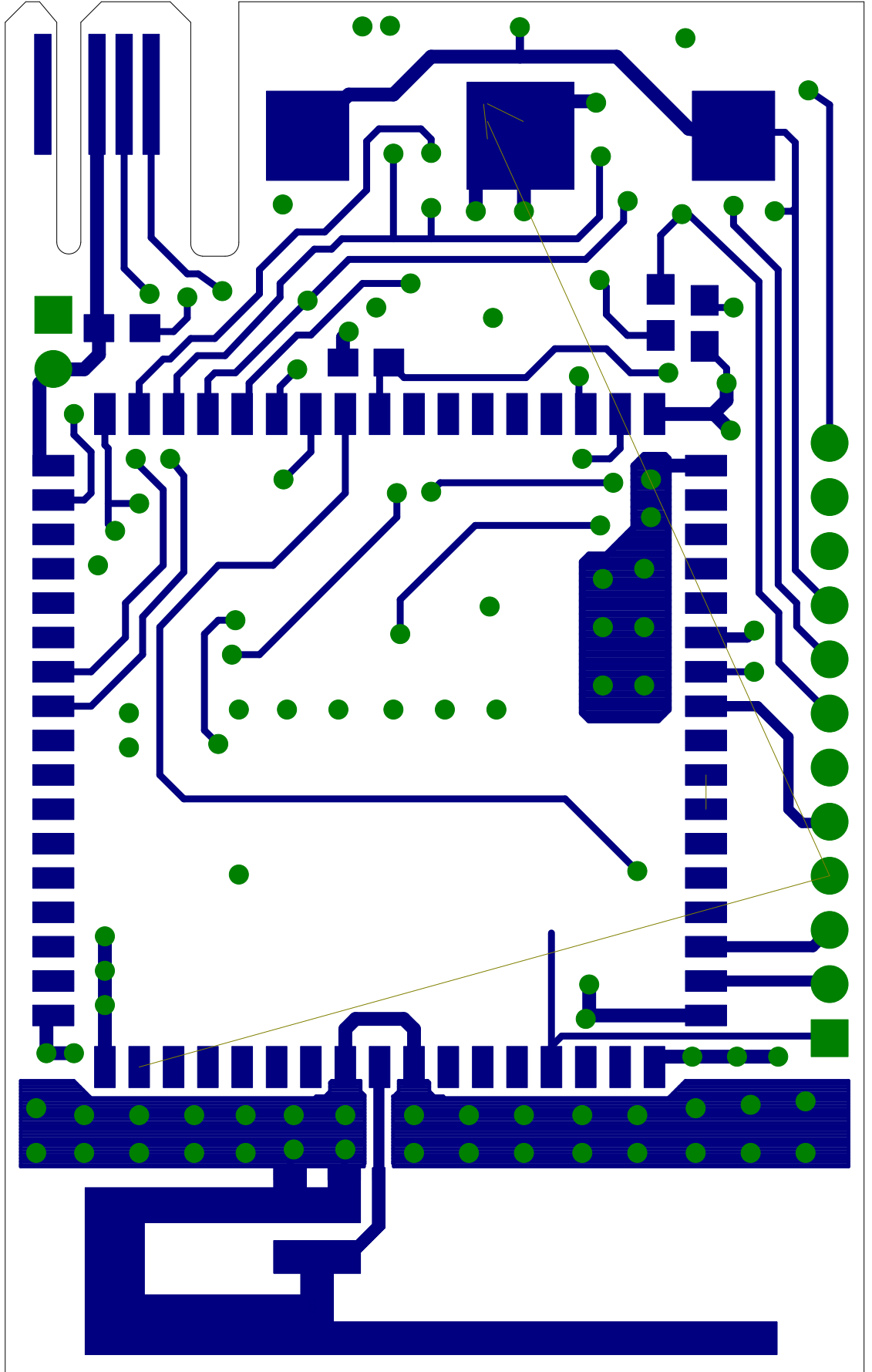
Bottom Layer



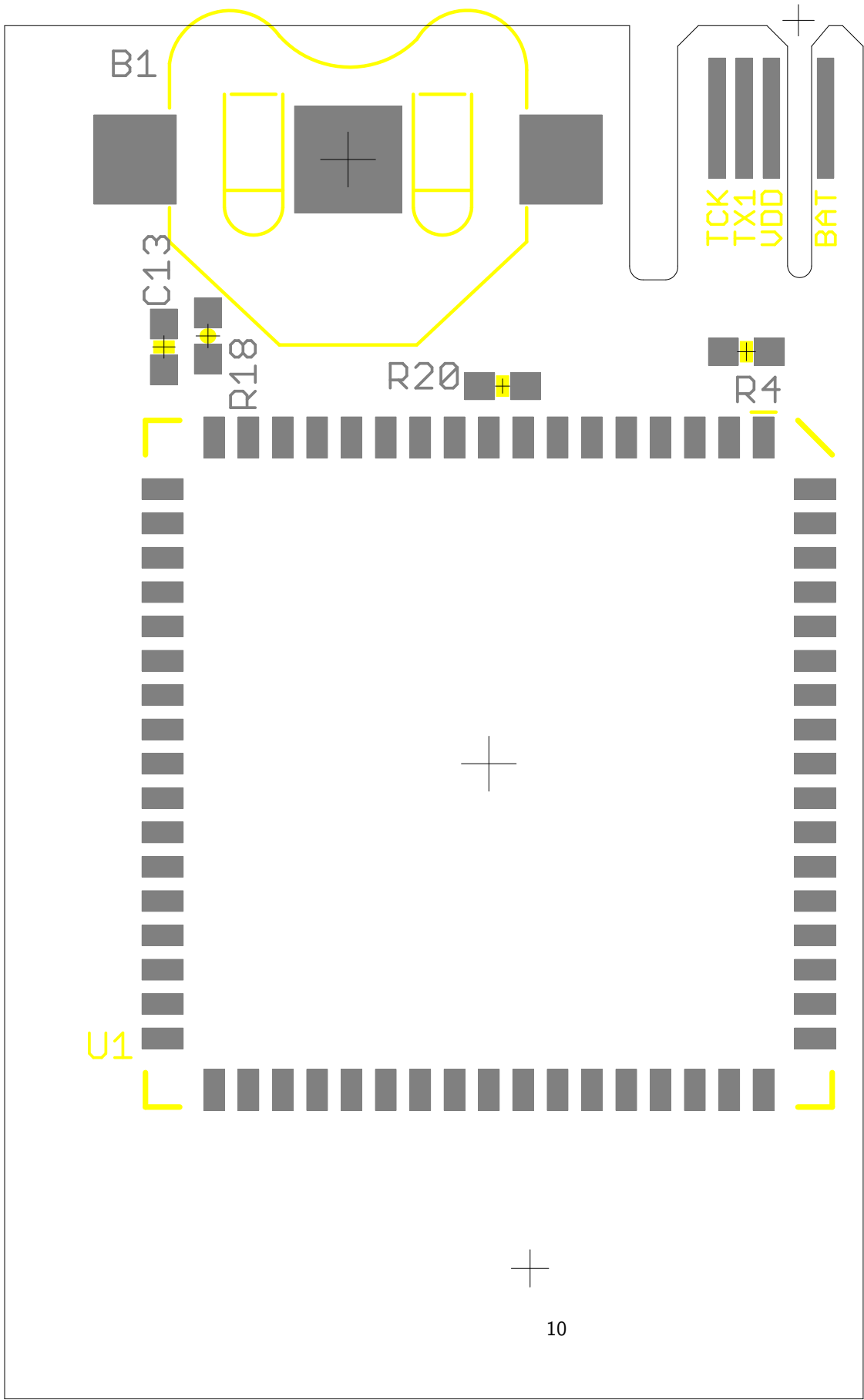
Top Copper Layer



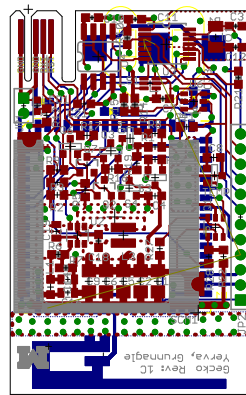
Bottom Copper Layer



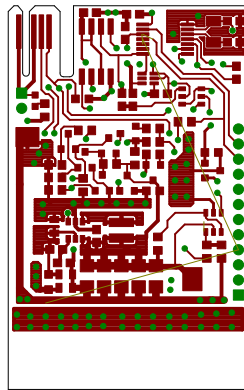
Bottom Paste Layer with Silkscreen



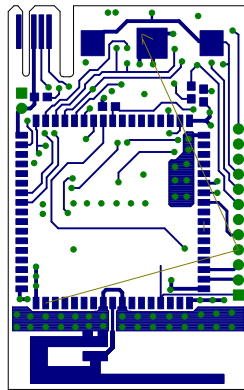
Top and Bottom Layers 1:1 Scale



Top Layer 1:1 Scale



Bottom Copper Layer 1:1 Scale



Partlist exported

from

Qty	Value	Device
1	LED0603	LED1
4	.1uF	CAP0603-CAP
4	1K	RESISTOR
1	2.2n	CAP0603-CAP
1	4.7uF	CAP0603-CAP
1	4.7uH	INDUCTOR
3	10K	RESISTOR0603-RES
2	10nF	CAPACITOR
3	10uF	CAP0805
1	10uH	L-USL2012C
2	47K	RESISTOR0603-RES
11	100K	RESISTOR0603-RES
5	220uF	C-USC1206
1	470 Ohm	RESISTOR
1	562K	RESISTOR0603-RES
1	976K	RESISTOR0603-RES
1	1382S	2.0V
1	ABX07_32768_1	ABX07_32768_1
2	DUAL_MOSFET_NP	DUAL_MOSFET_NP
1	EPIC-CORE_A	EPIC-CORE_A
1	FM25V02	FM25V02
3	PMOS	PMOSSOT23
2	NMOS	MOSFET-NCHANNELSMD
1	LIGHT_SENSOR	LIGHT_SENSOR
1	MCP1640	MCP1640
1	MSP430F2012	MSP430F2012
1	TC54VC	2.9V
1	TC1047A	TC1047A

Parts

C7,C8	C10, C11				
R11,	R13, R17, R28				
C13					
C18					
L3					
R8,R14,R15					
C4,	C21				
C14,	C16, C19				
L1					
R4,R21					
R2,R18,R20	R3, R5, R9,	R16, R19,	R22, R27		
C1,	C2, C5, C6,	C9			
R12					
R7					
R6					
	1382 S4				
O1					
Q1,U6	U6				
U1					
U4					
Q6,Q3,Q4					
Q7,Q2					
LS1					
U2					
U3					
	1382 S3				
TEMP					