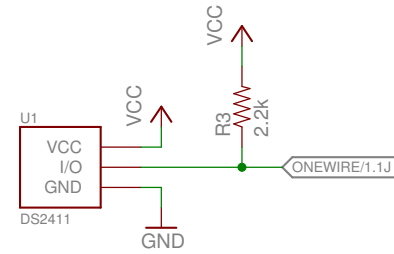
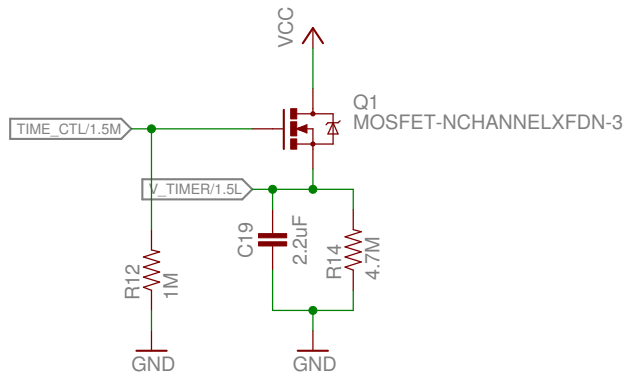
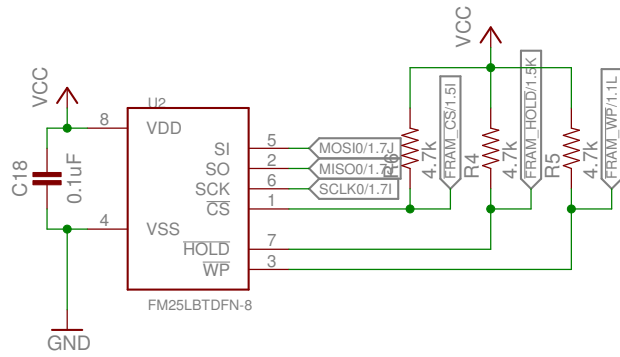
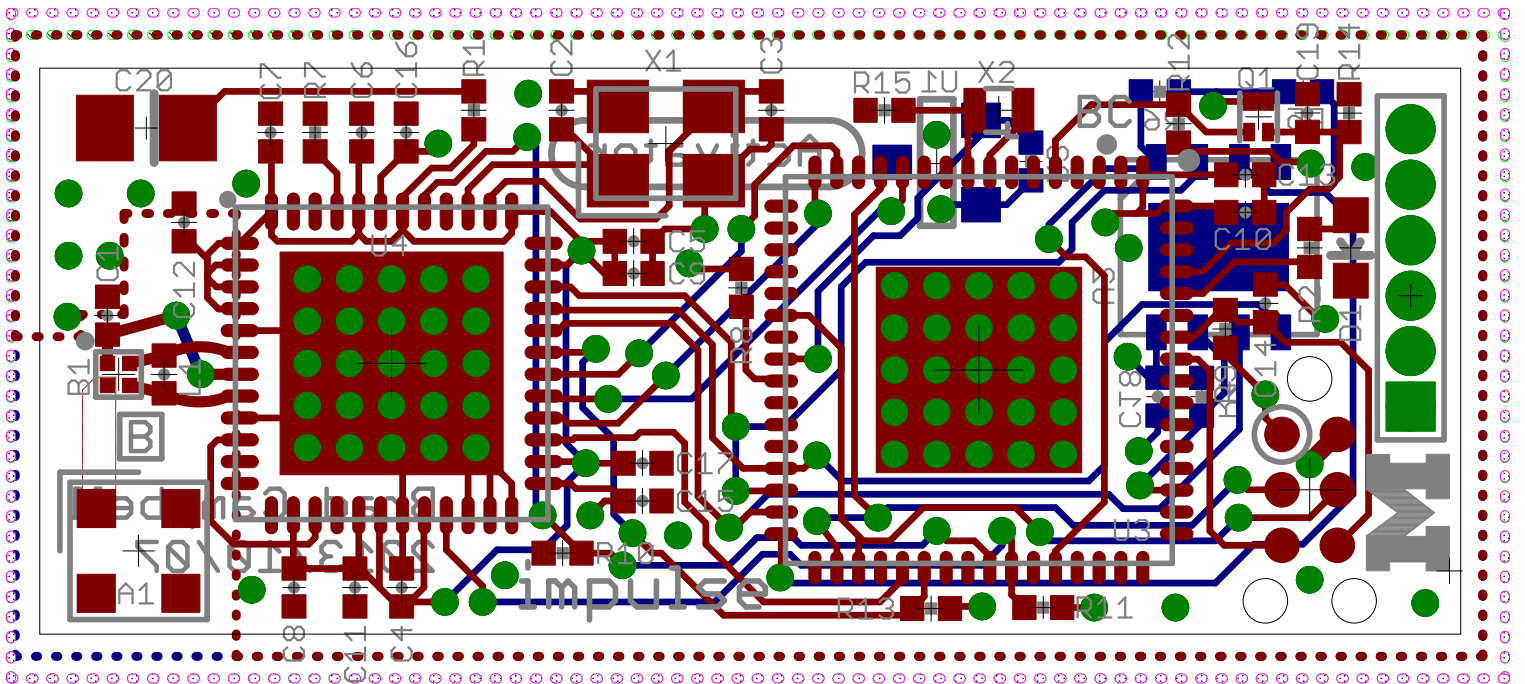
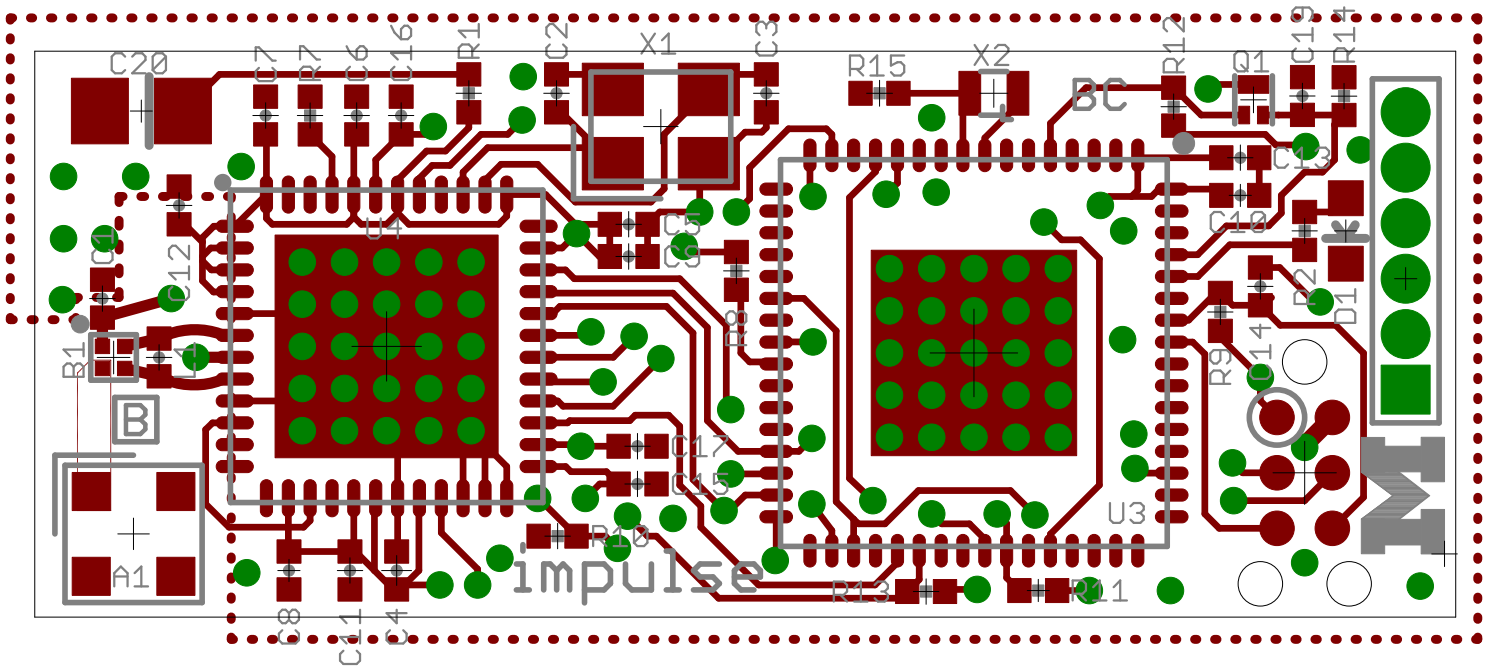


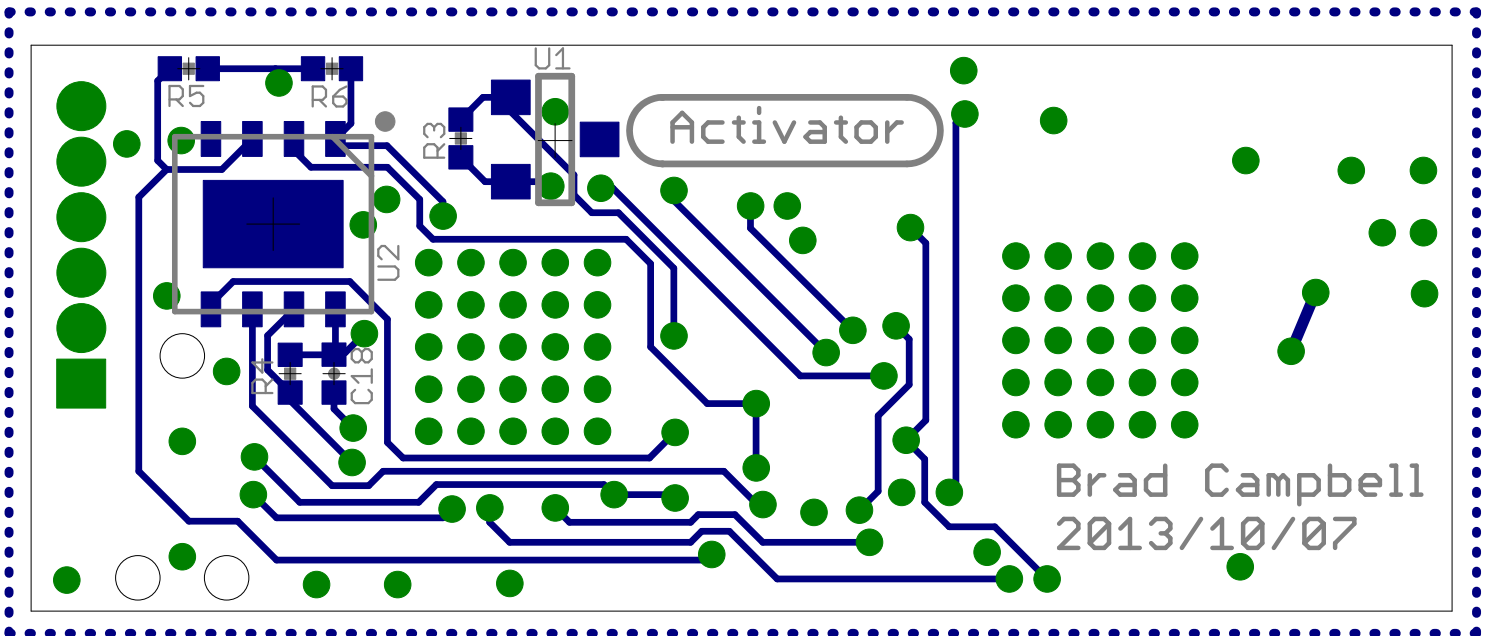
M Impulse		REV: B
Author: Brad Campbell		
Date: 11/26/13 2:30 PM		Sheet: 1/2



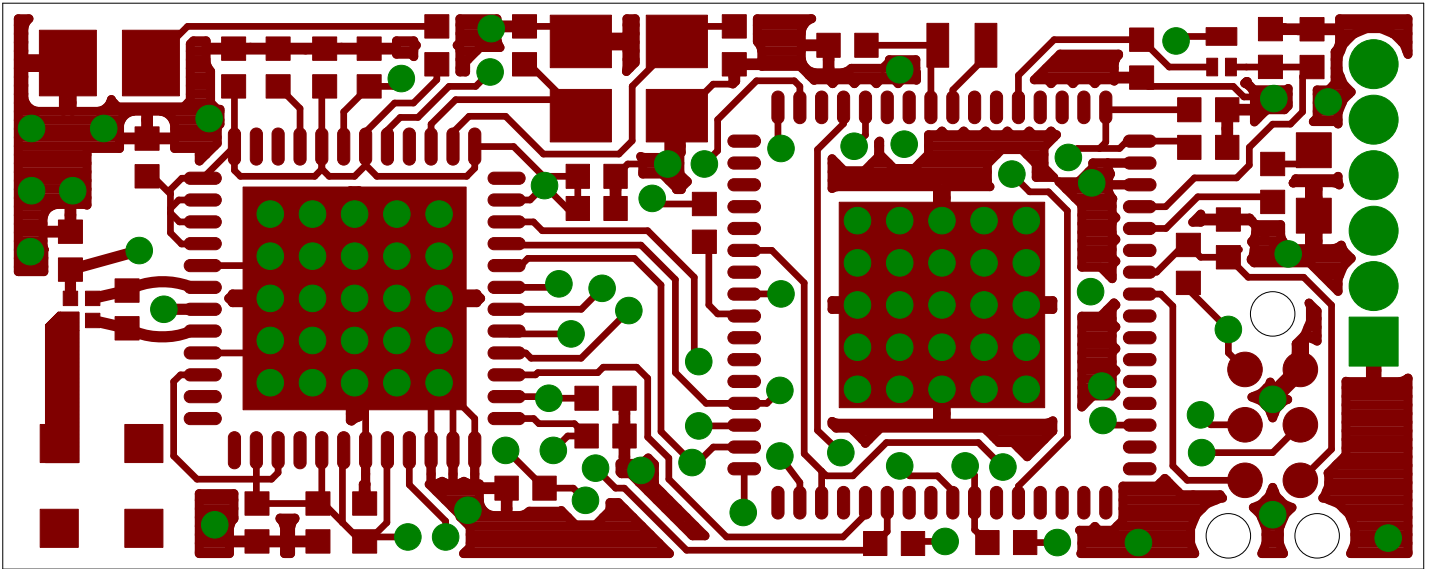
Top and Bottom Layers



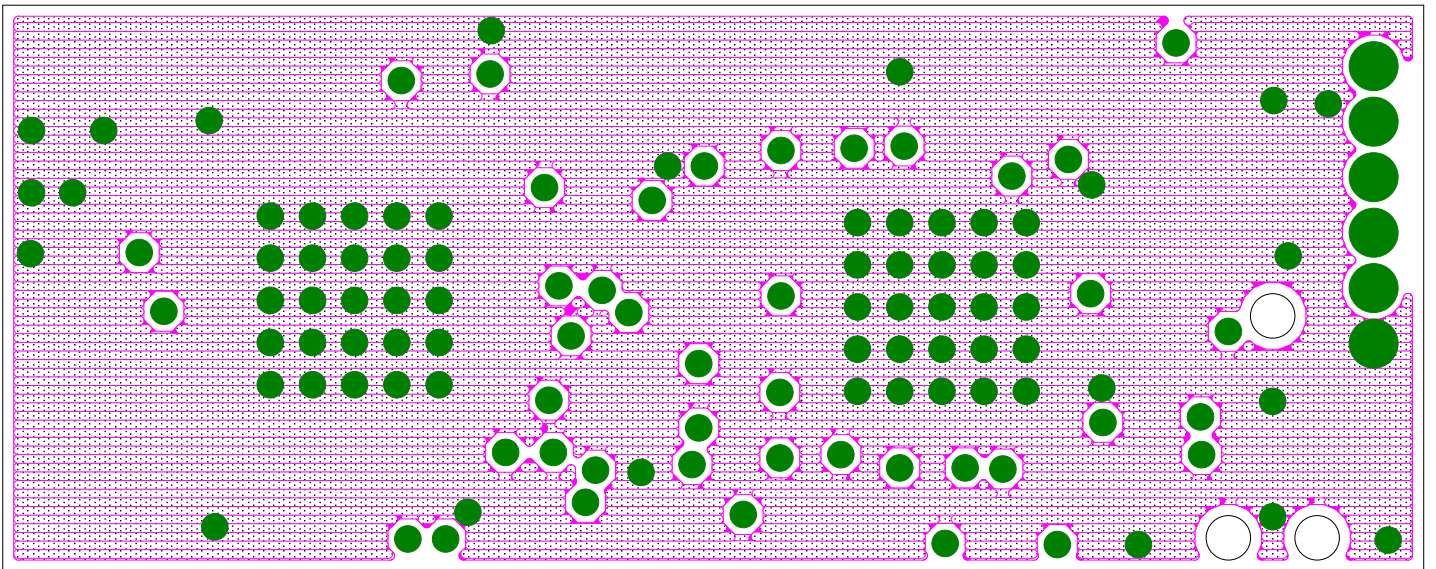




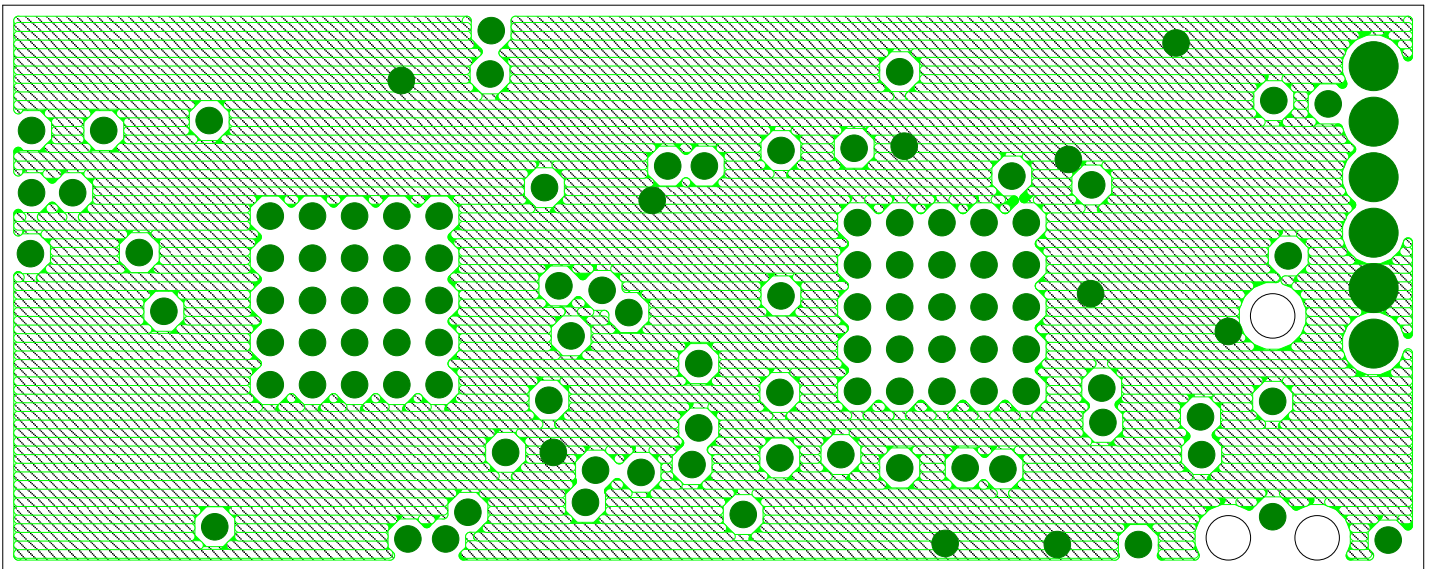
Top Copper Layer



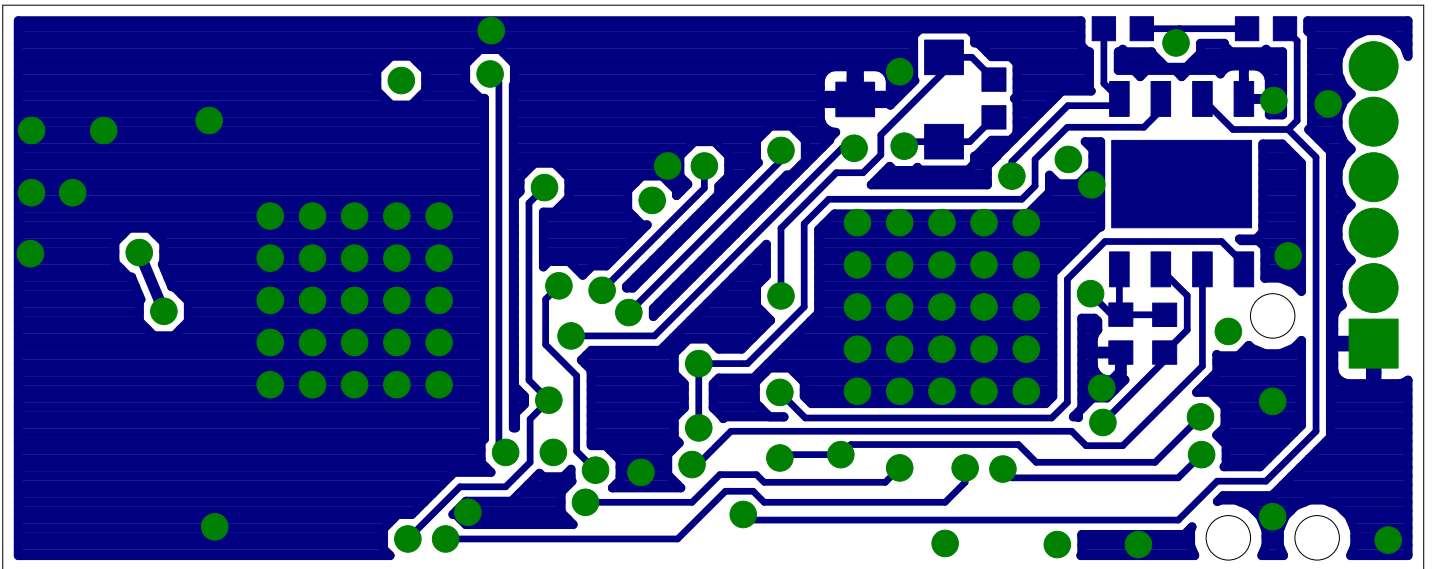
Layer 2 Copper

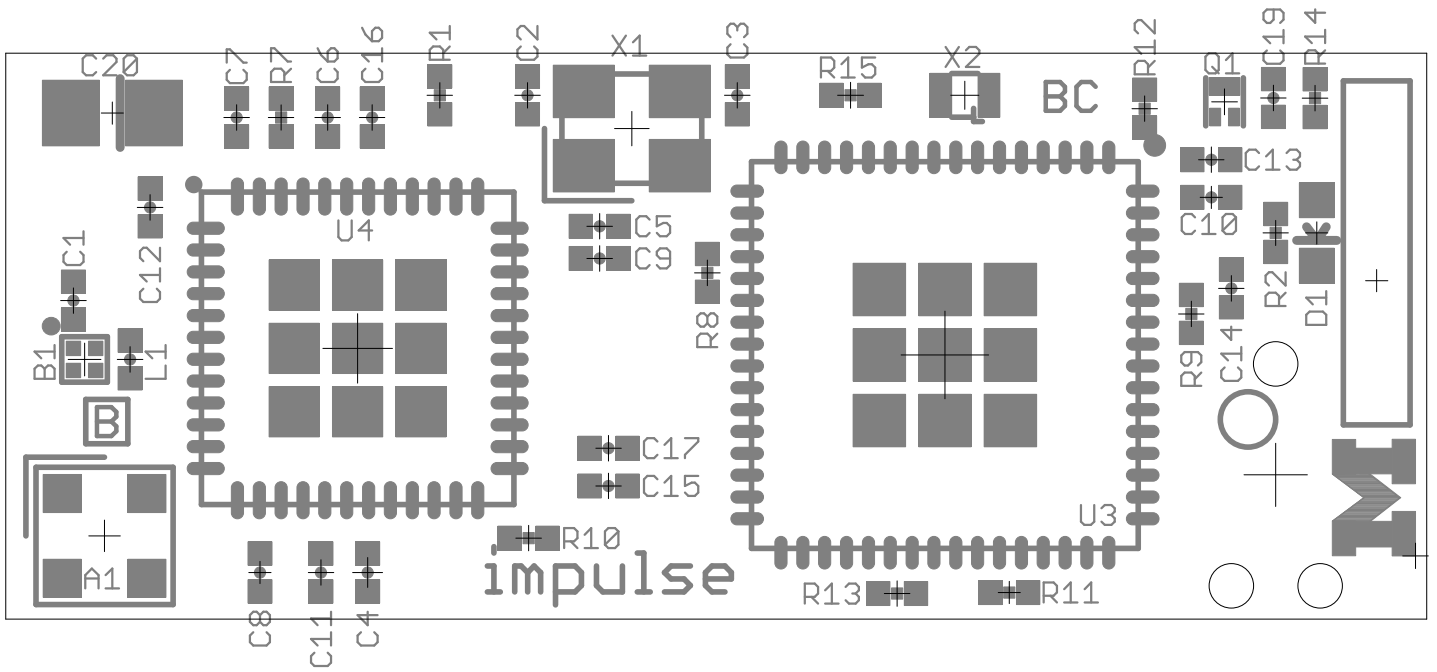


Layer 3 Copper

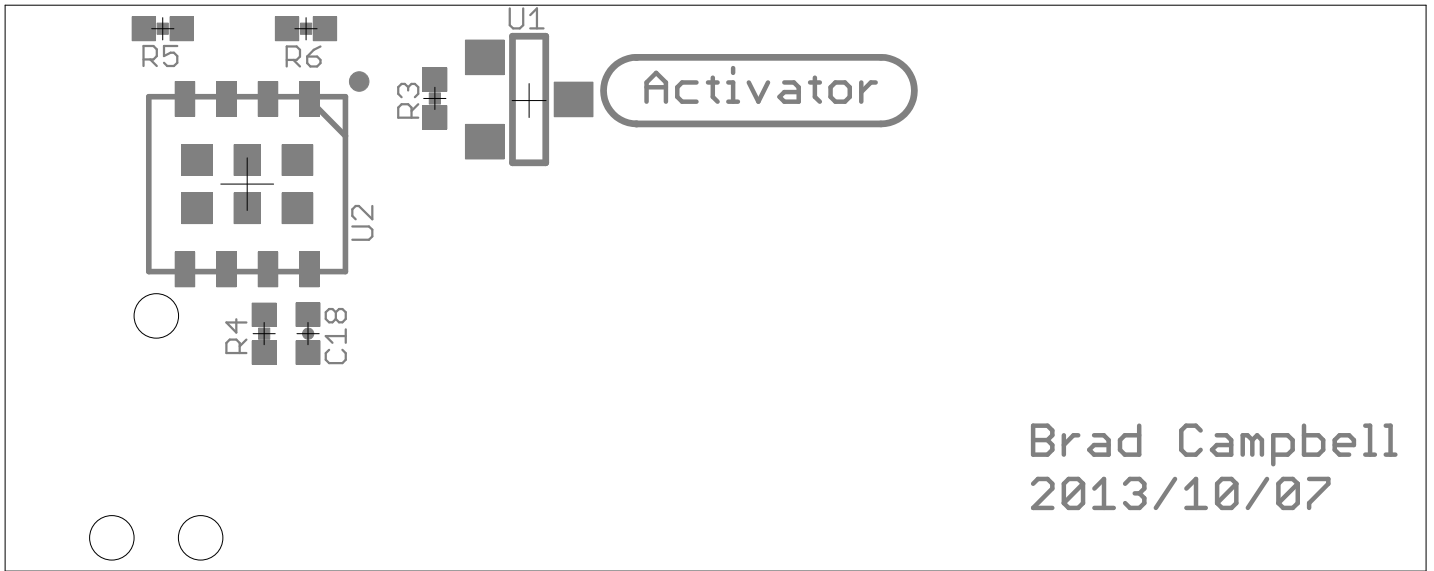


Bottom Copper Layer

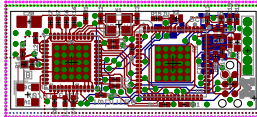




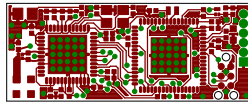
Bottom Paste Layer with Silkscreen



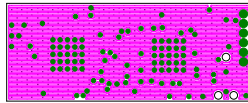
Top and Bottom Layers 1:1 Scale



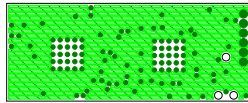
Top Layer 1:1 Scale



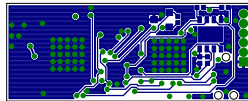
Layer 2 Copper 1:1 Scale



Layer 3 Copper 1:1 Scale



Bottom Copper Layer 1:1 Scale



Sheet1

Qty	Value	Device	Package
1	MOLEX-2.4GHZ-047948	MOLEX-2.4GHZ-047948	MOLEX-47948-ANTENNA
1	BD2425N50200A	BD2425N50200A	BD2425N50200A
1	12pF	CAPACITOR	0402_CAP
2	22pF	CAPACITOR	0402_CAP
4	68pF	CAPACITOR	0402_CAP
1	0.01uF	CAPACITOR	0402_CAP
10	0.1uF	CAPACITOR	0402_CAP
1	2.2uF	CAPACITOR	0402_CAP
1	10uF	C-USC0805	C0805
1		LED-0603	LED-0603
1	GECKO_POWER_SUPPLY_CONN	GECKO_POWER_SUPPLY_CONN	HEADER1X6/0.05IN
1	EPIC-PROG-POGO-NO-LEGS	EPIC-PROG-POGO-NO-LEGS	TC2030-IDC-NL
1	INDUCTOR0402	INDUCTOR0402	0402_CAP
1	MOSFET-NCHANNELXFDN-3	MOSFET-NCHANNELXFDN-3	XFDN-3
1	2.2	RESISTOR	0402_RES
1	470	RESISTOR	0402_RES
1	2.2k	RESISTOR	0402_RES
3	4.7k	RESISTOR	0402_RES
1	43k	RESISTOR	0402_RES
2	100k	RESISTOR	0402_RES
4	1M	RESISTOR	0402_RES
1	4.7M	RESISTOR	0402_RES
1	5.1M	RESISTOR	0402_RES
1	DS2411	DS2411	SOT-23
1	FM25LBTDFN-8	FM25LBTDFN-8	TDFN-8
1	MSP430F1611IRTD	MSP430F1611IRTD	S-PVQFN-N64
1	CC2420RGZ	CC2420RGZ	S-PVQFN-N48
1	TXC-7V	TXC-7V	TXC-7V
1	ABRACON-ABS05	ABRACON-ABS05	ABS05

Sheet1

Parts	Description	DIGIKEY
A1		WM4893CT-ND
B1		1173-1063-1-ND
C1	0402 Capacitor	712-1257-1-ND
C2, C3	0402 Capacitor	445-1239-1-ND
C4, C5, C6, C7	0402 Capacitor	445-1245-1-ND
C8	0402 Capacitor	445-1260-1-ND
C9, C10, C11, C12, C13, C14, C15, C16, C17, C18	0402 Capacitor	445-1265-1-ND
C19	0402 Capacitor	445-3882-1-ND
C20	CAPACITOR, American symbol	478-2561-1-ND
D1	LED	
J1	Header on the gecko power supply board.	
J2	Epic programmer based on the Tag Connect pogo pin cable.	
L1		712-1419-1-ND
Q1	Generic NMOS footprint	DMN2400UFB4-7DICT-ND
R1	Resistor	RHM2.2CECT-ND
R2	Resistor	
R3	Resistor	RHM2.2KCECT-ND
R4, R5, R6	Resistor	RHM4.7KCECT-ND
R7	Resistor	RHM43KCECT-ND
R8, R9	Resistor	RHM100KCECT-ND
R10, R11, R12, R13	Resistor	RHM1.0MCECT-ND
R14	Resistor	541-4.7MJCT-ND
R15	Resistor	RHM5.1MBICT-ND
U1	Maxim DS2411	DS2411R+CT-ND
U2	IC FRAM 4KBIT 10MHZ 8SOIC	FM25L04B-DGRA-ND
U3		296-18102-1-ND
U4	2.4 GHz IEEE 802.15.4 / ZigBee-ready RF Transceiver	296-19585-1-ND
X1		887-1799-1-ND
X2	32.768kHz Crystal	535-11899-1-ND

MOUSER TAG-CONNECT

TC2030-IDC-NL

877-FM25L04B-DG