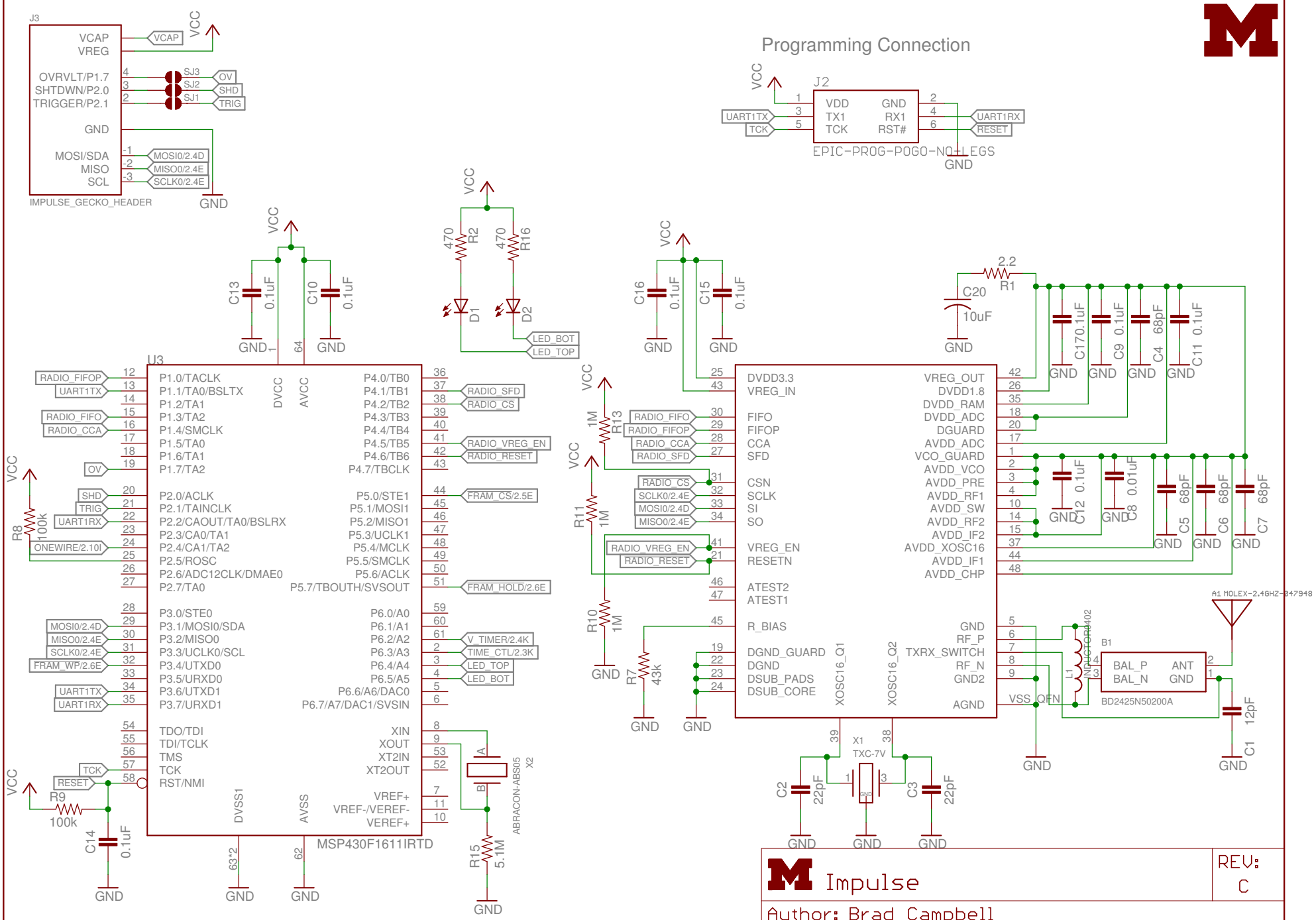
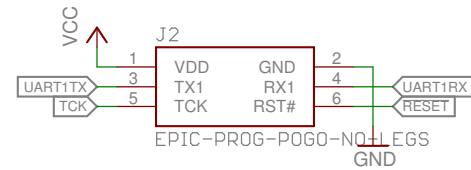
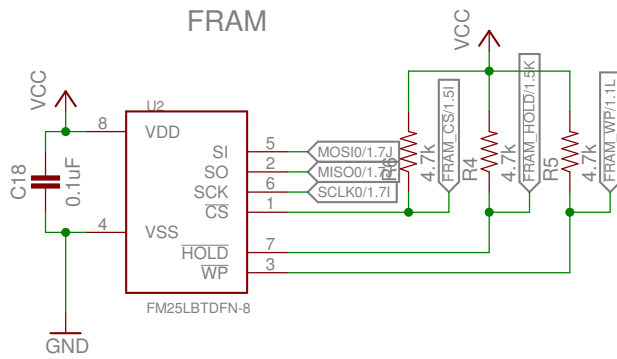




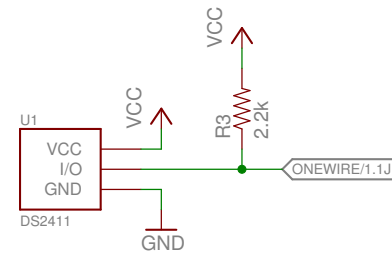
Programming Connection



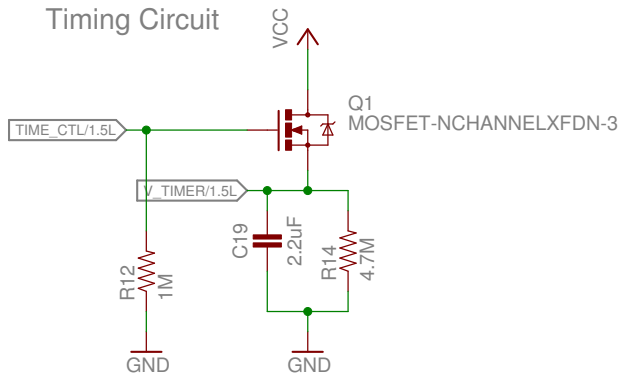
M Impulse	REV: C
	Author: Brad Campbell
	Date: 11/26/13 2:30 PM
Sheet: 1/2	



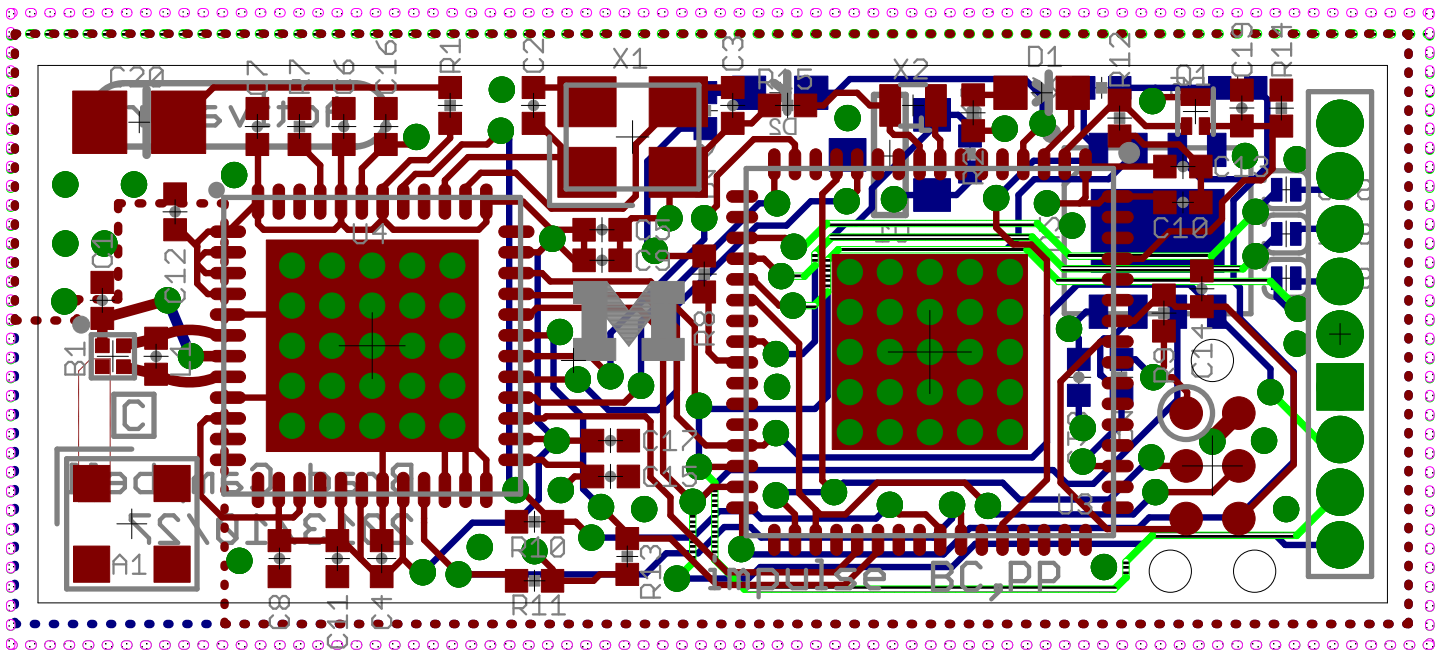
DS2411 ID Chip

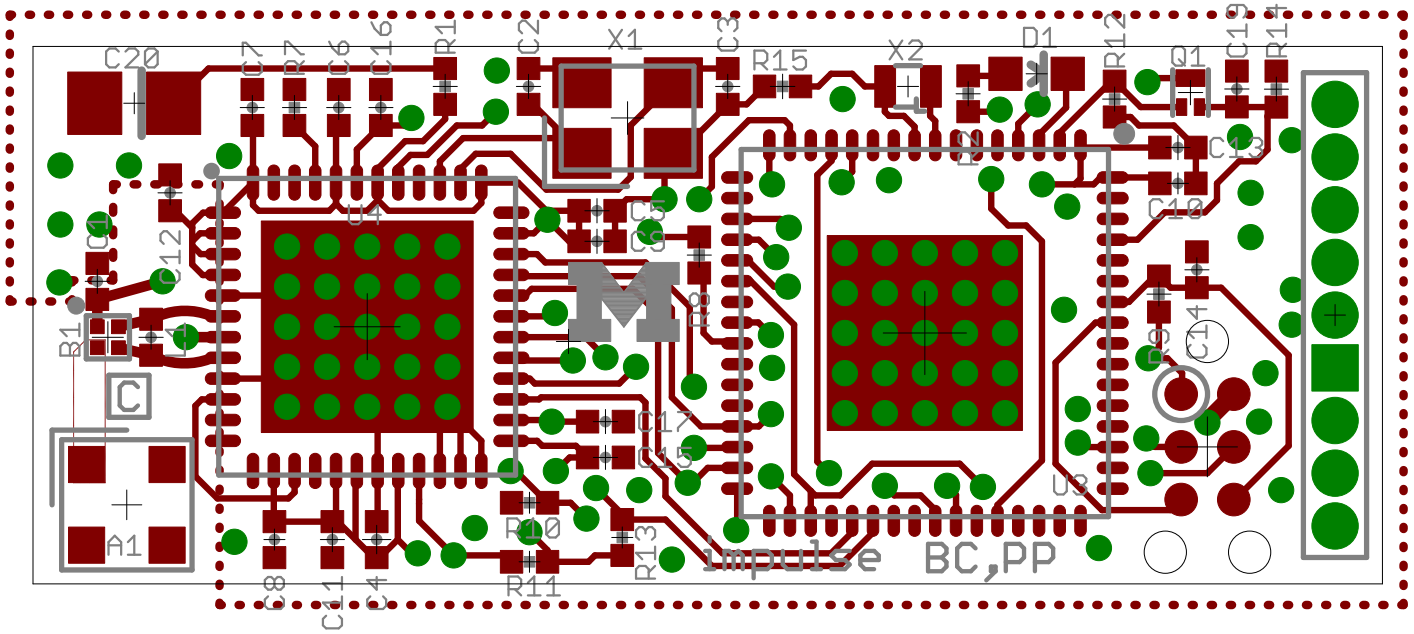


Timing Circuit

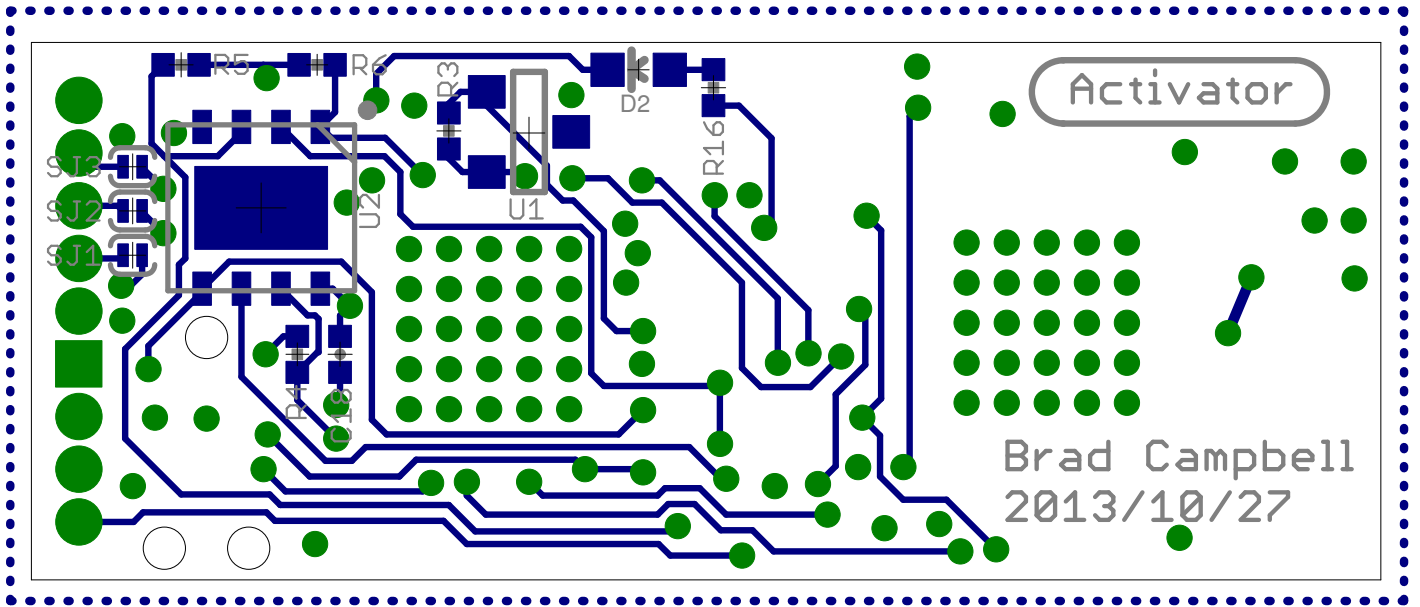


Top and Bottom Layers

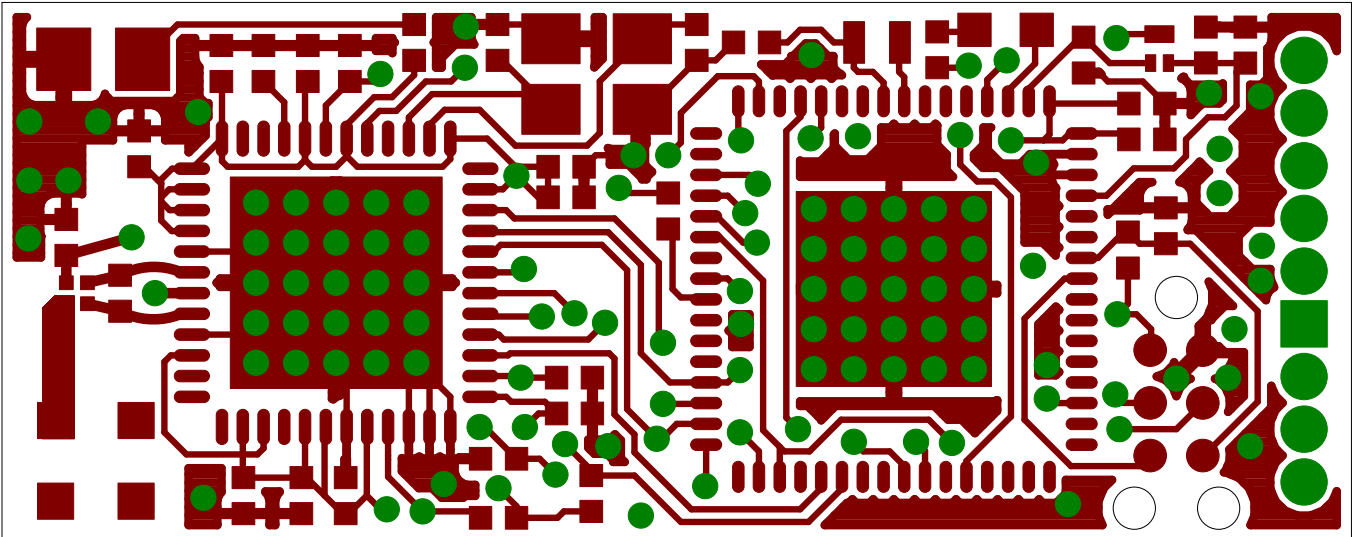


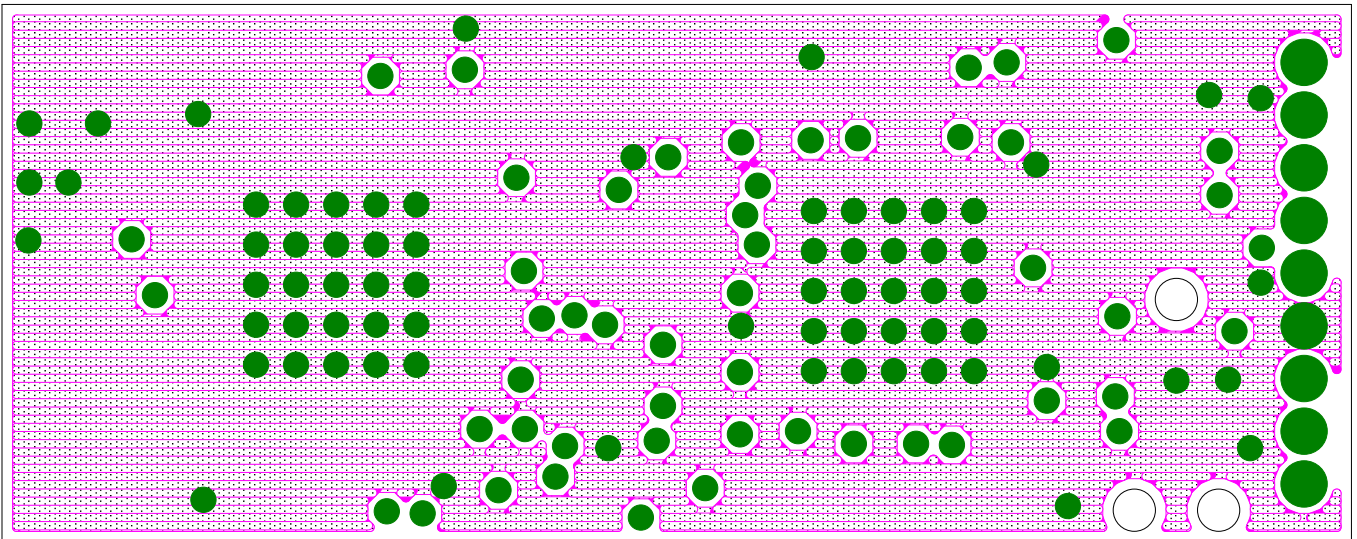


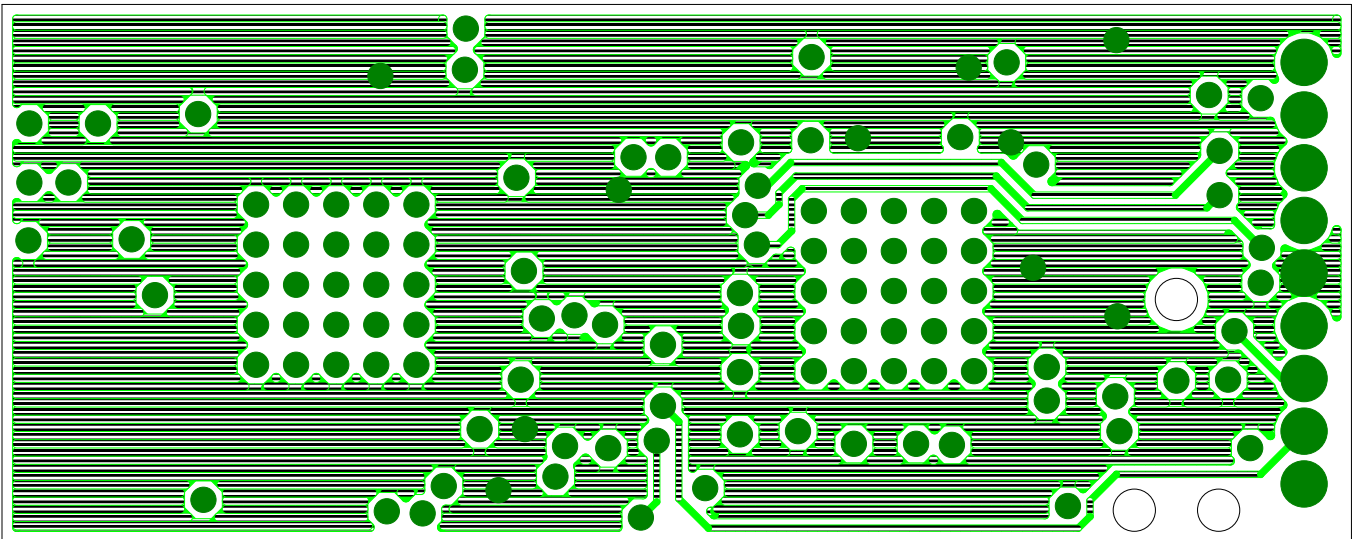
Bottom Layer



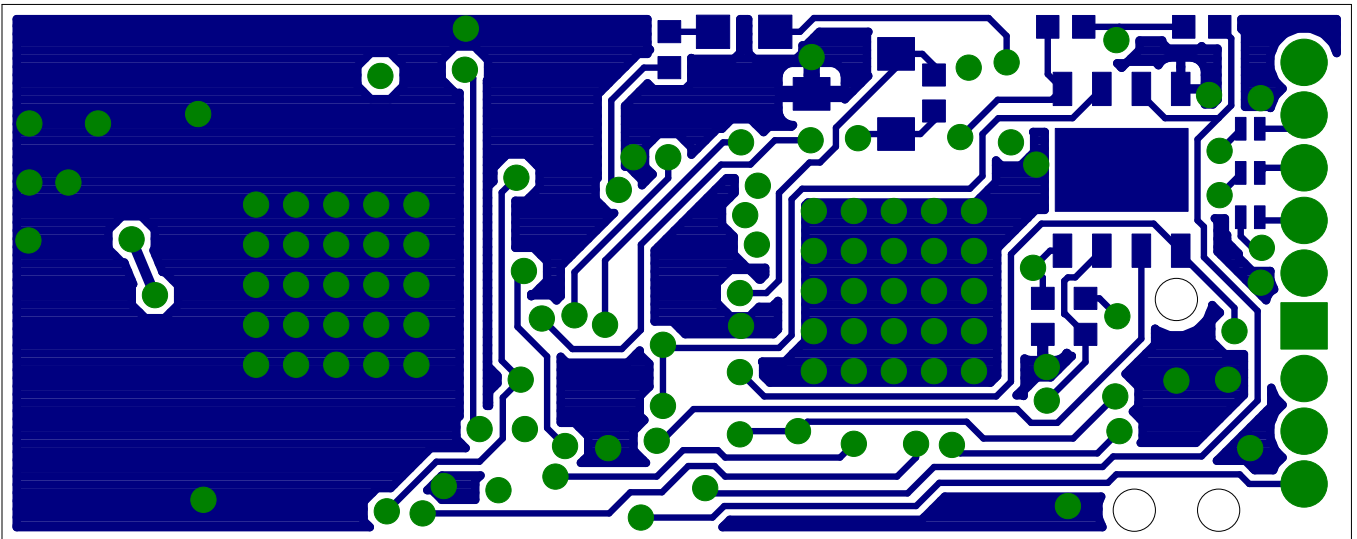
Top Copper Layer

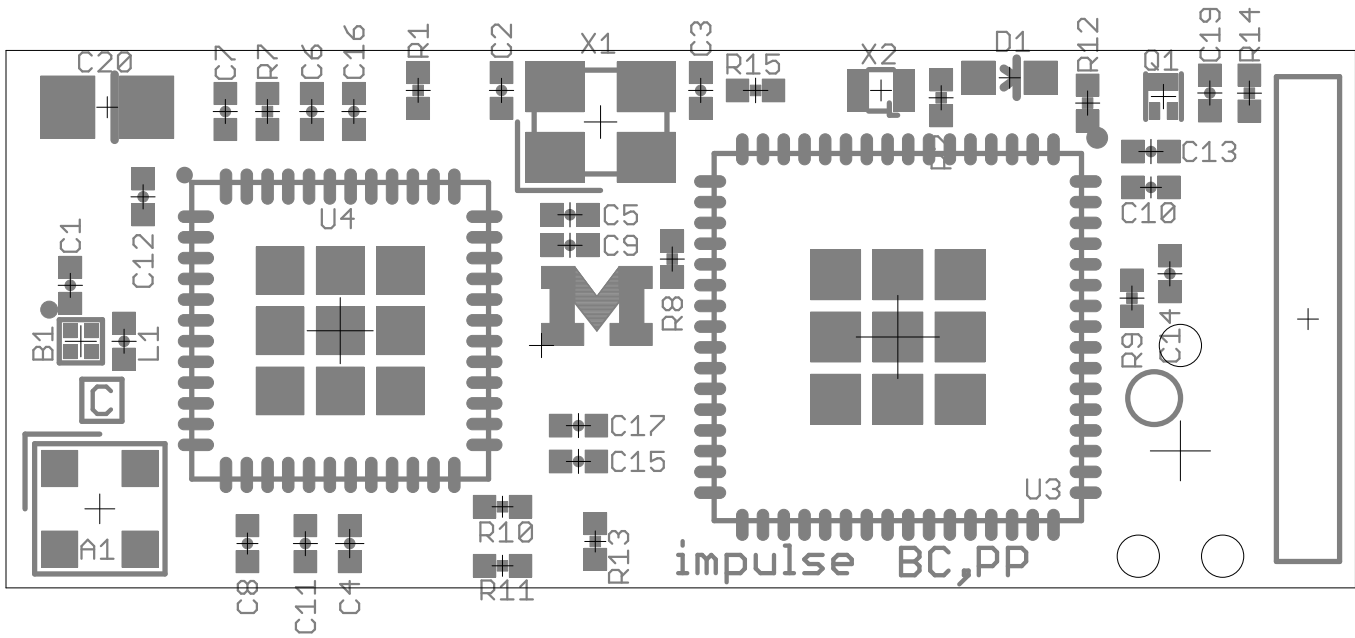


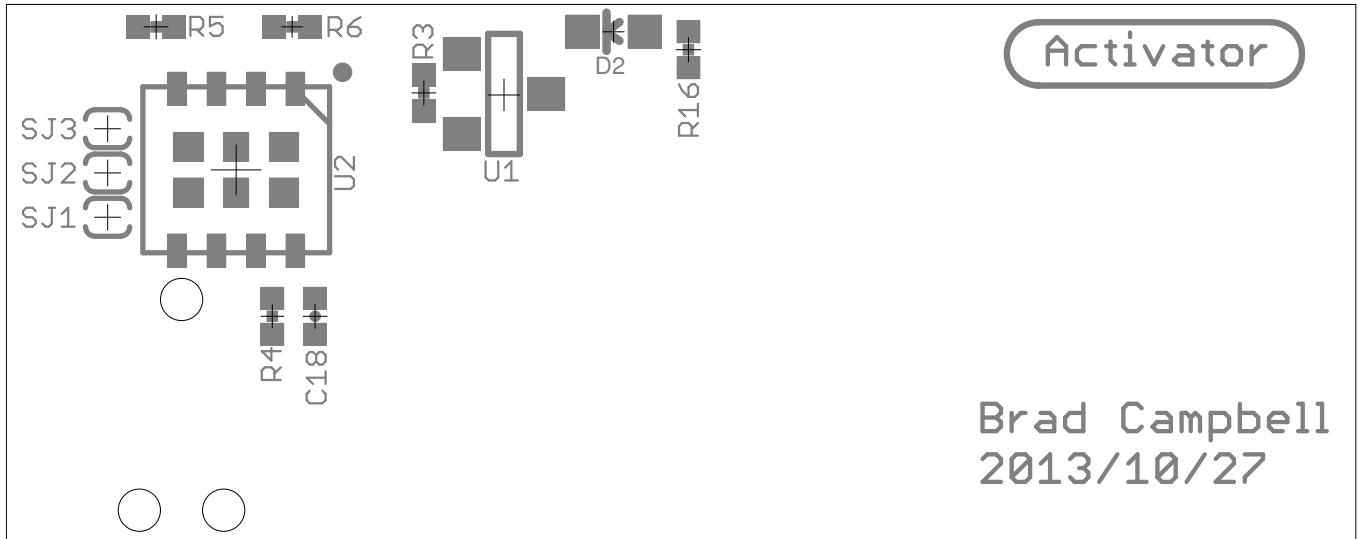




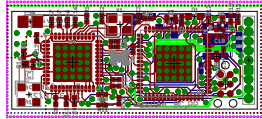
Bottom Copper Layer



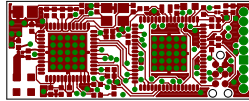




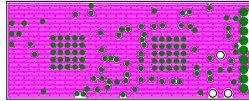
Top and Bottom Layers 1:1 Scale



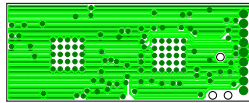
Top Layer 1:1 Scale



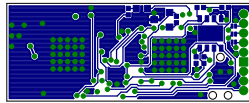
Layer 2 Copper 1:1 Scale



Layer 3 Copper 1:1 Scale



Bottom Copper Layer 1:1 Scale



Sheet1

Qty	Value	Device	Package	Parts	Description	DIGIKEY	DIGIREEL	MOUSER	TAG-CONNECT
1	MOLEX-2.4GHZ-047948	MOLEX-2.4GHZ-047948	MOLEX-47948-ANTENNA1			WM4893CT-ND	WM4893DKR-ND		
1	BD2425N50200A	BD2425N50200A	BD2425N50200A	B1		1173-1063-1-ND	1173-1063-6-ND		
1	12pF	CAPACITOR	0402_CAP	C1	0402 Capacitor	712-1257-1-ND	712-1257-6-ND		
2	22pF	CAPACITOR	0402_CAP	C2, C3	0402 Capacitor	445-1239-1-ND	445-1239-6-ND		
4	68pF	CAPACITOR	0402_CAP	C4, C5, C6, C7	0402 Capacitor	445-1245-1-ND	445-1245-6-ND		
1	0.01uF	CAPACITOR	0402_CAP	C8	0402 Capacitor	445-1260-1-ND	445-1260-6-ND		
10	0.1uF	CAPACITOR	0402_CAP	C9, C10, C11, C12, C13, C14, C15, C16, C17, C	0402 Capacitor	445-1265-1-ND	445-1265-6-ND		
1	1.2uF	CAPACITOR	0402_CAP	C19	0402 Capacitor	445-3882-1-ND	445-3882-6-ND		
1	10uF	C-USC0805	C0805	C20	CAPACITOR, American symbol	478-2561-1-ND	478-2561-6-ND		
2	BLUE	LED-0603	LED-0603	D1, D2	LED - BLUE				
DNP	IMPULSE_GECKO_HEADER	IMPULSE_GECKO_HEADER	HEADER1X9/0.05IN	J1	Header on the impulse EPIC-esque board				
DNP	EPIC-PROG-POGO-NO-LEG	EPIC-PROG-POGO-NO-LEG	TC2030-IDC-NL	J2	Epic programmer based on the Tag Connect pogo pin cable.				TC2030-IDC-NL
1	INDUCTOR0402	INDUCTOR0402	0402_CAP	L1		712-1419-1-ND	712-1419-6-ND		
1	MOSFET-NCHANNELXFDN-3M	MOSFET-NCHANNELXFDN-3X	Q1	Q1	Generic NMOS footprint	DMN2400UFB4-7DICT-NED	DMN2400UFB4-7DIDKR-ND		
1	2.2	RESISTOR	0402_RES	R1	Resistor	RHM2.2CECT-ND	RHM2.2CEDKR-ND		
1	1470	RESISTOR	0402_RES	R2, R16	Resistor		RHM470BHDKR-ND		
1	1.2k	RESISTOR	0402_RES	R3	Resistor	RHM2.2KCECT-ND	RHM2.2KCEDKR-ND		
3	4.7k	RESISTOR	0402_RES	R4, R5, R6	Resistor	RHM4.7KCECT-ND	RHM4.7KCEDKR-ND		
1	143k	RESISTOR	0402_RES	R7	Resistor	RHM43KCECT-ND	RHM43KCEDKR-ND		
2	100k	RESISTOR	0402_RES	R8, R9	Resistor	RHM100KCECT-ND	RHM100KCEDKR-ND		
4	1M	RESISTOR	0402_RES	R10, R11, R12, R13	Resistor	RHM1.0MCECT-ND	RHM1.0MCEDKR-ND		
1	1.47M	RESISTOR	0402_RES	R14	Resistor	541-4.7MJCT-ND	541-4.7MJDKR-ND		
1	1.51M	RESISTOR	0402_RES	R15	Resistor	RHM5.1MBICT-ND	RHM5.1MBIDKR-ND		
1	DS2411	DS2411	SOT-23	U1	Maxim DS2411	DS2411R+CT-ND	DS2411R+DKR-ND		
1	FM25LBTDFN-8	FM25LBTDFN-8	TDFN-8	U2	IC FRAM 4KBIT 10MHZ 8SOIC	FM25L04B-DGRA-ND		877-FM25L04B-DG	
1	MSP430F1611IRTD	MSP430F1611IRTD	S-PVQFN-N64	U3		296-18102-1-ND	296-18102-6-ND		
1	CC2420RGZ	CC2420RGZ	S-PVQFN-N48	U4		296-19585-1-ND	296-19585-6-ND		
1	TXC-7V	TXC-7V	TXC-7V	X1	2.4 GHz IEEE 802.15.4 / ZigBee-ready RF Transceiver	887-1799-1-ND	887-1799-6-ND		
1	ABRACON-ABS05	ABRACON-ABS05	ABS05	X2	32.768kHz Crystal	535-11899-1-ND	535-11899-6-ND		