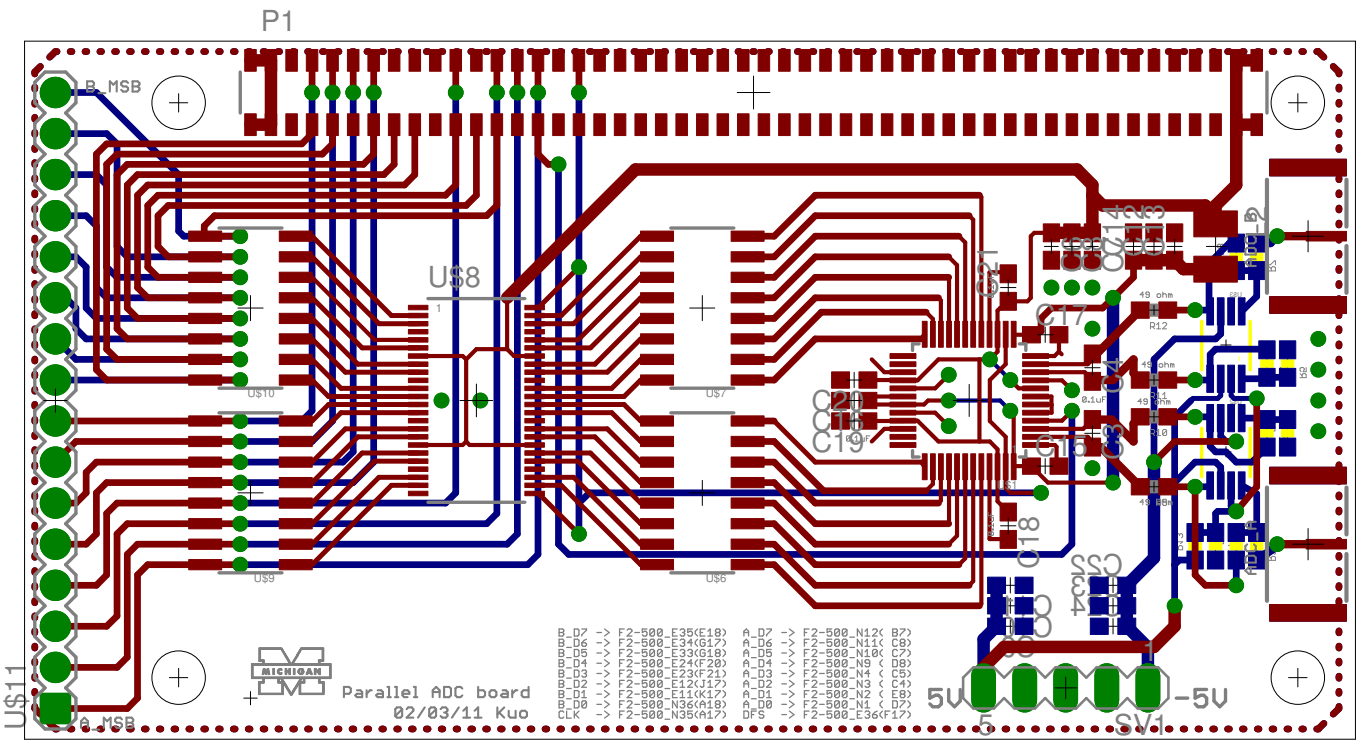
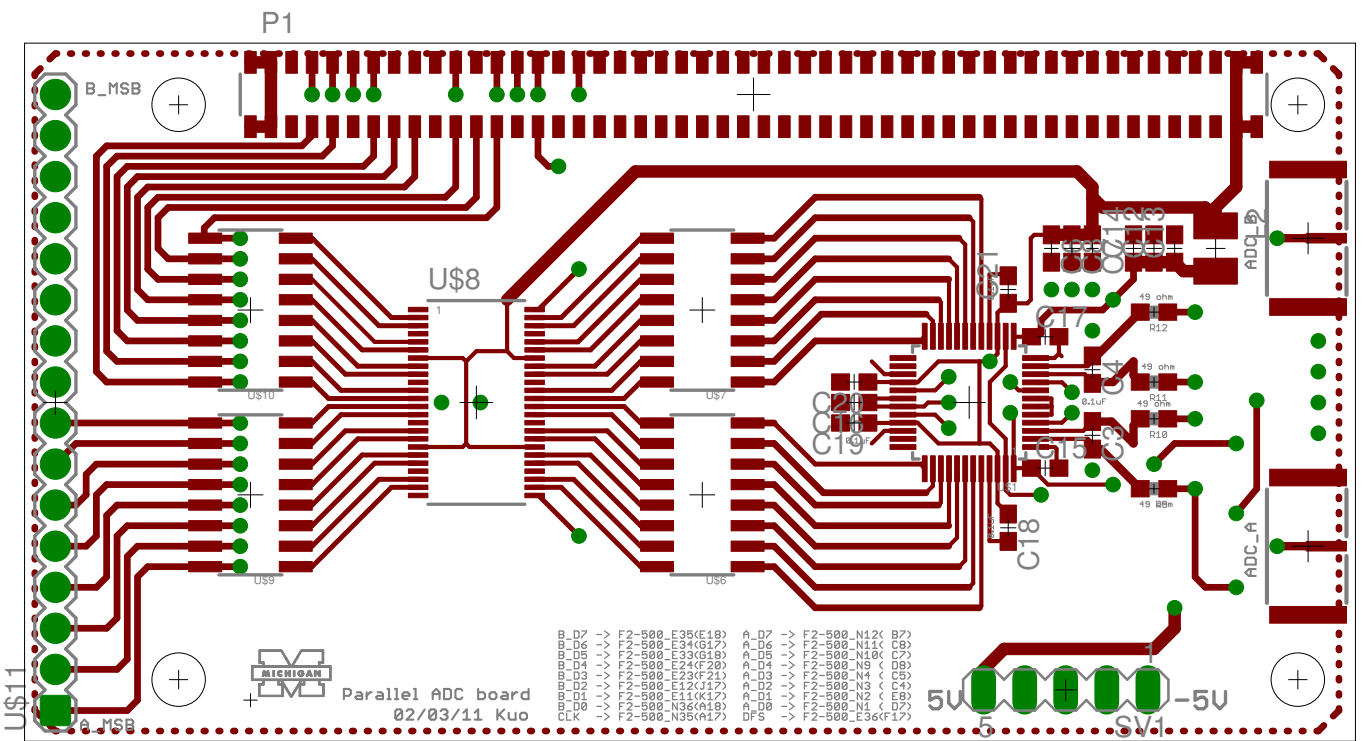
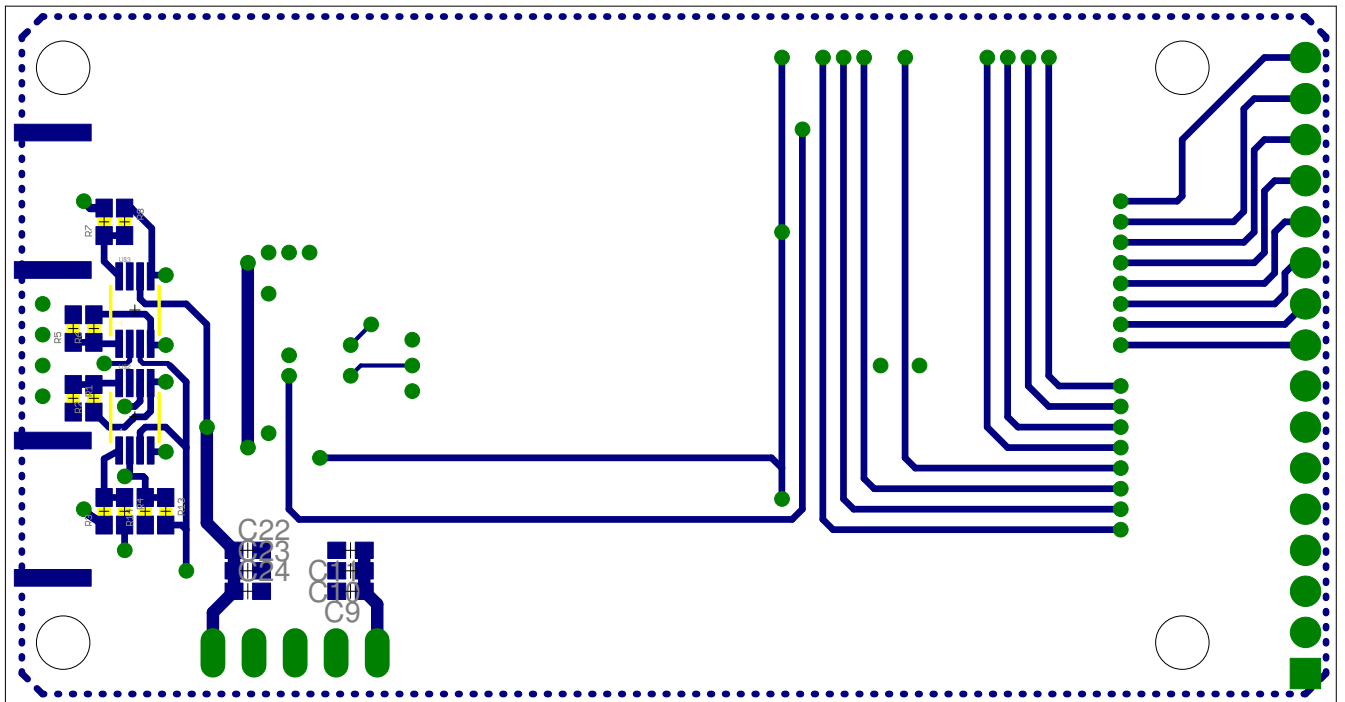


Top and Bottom Layers

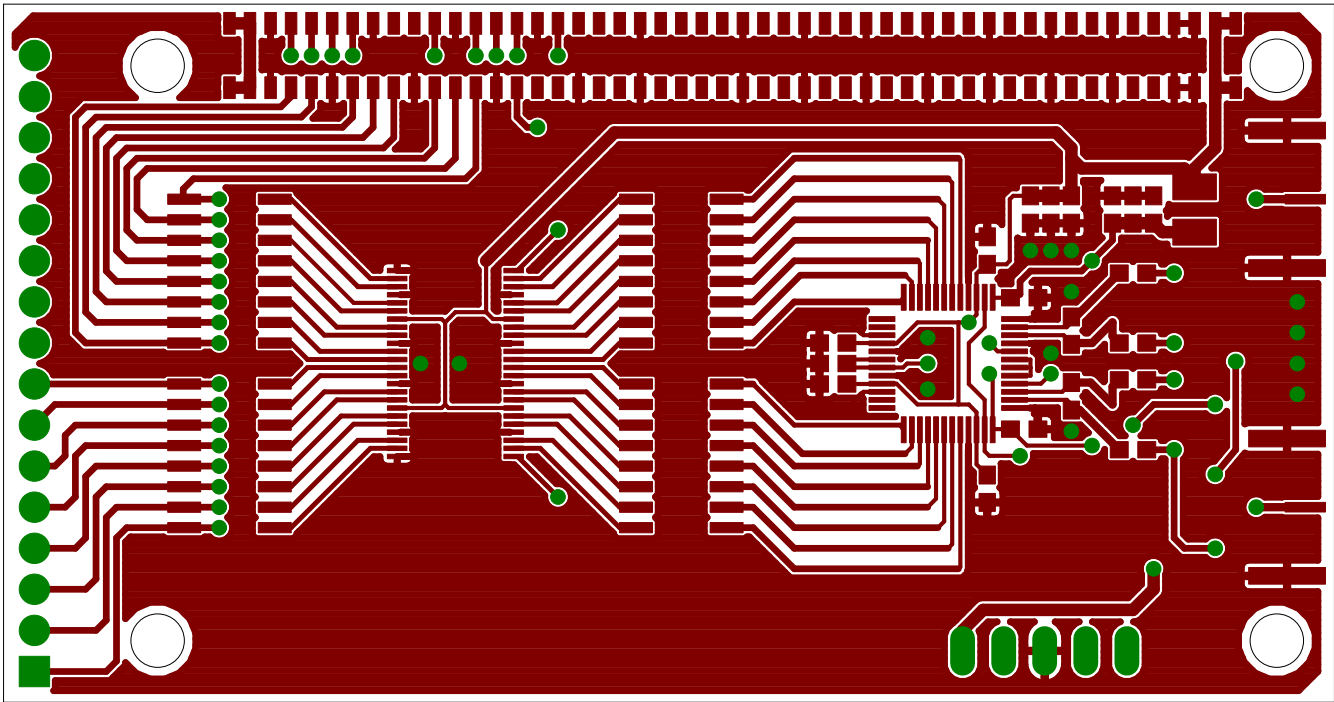




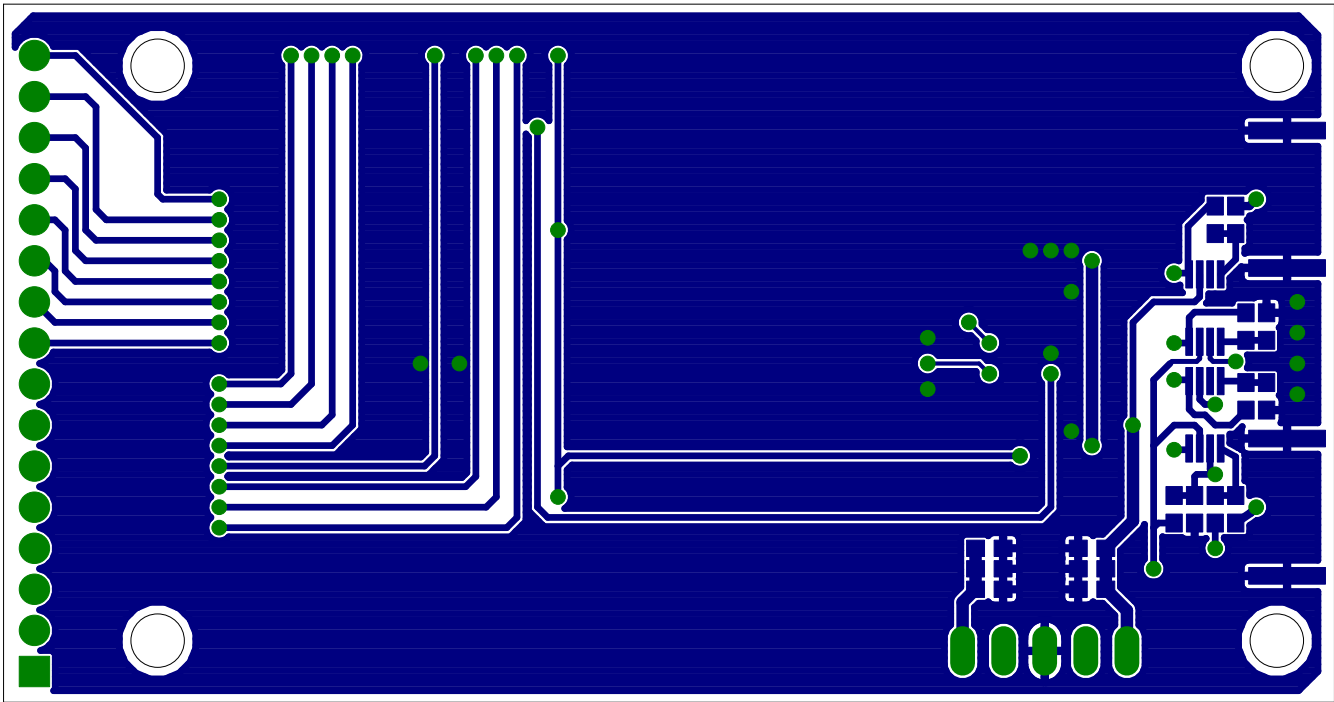
Bottom Layer



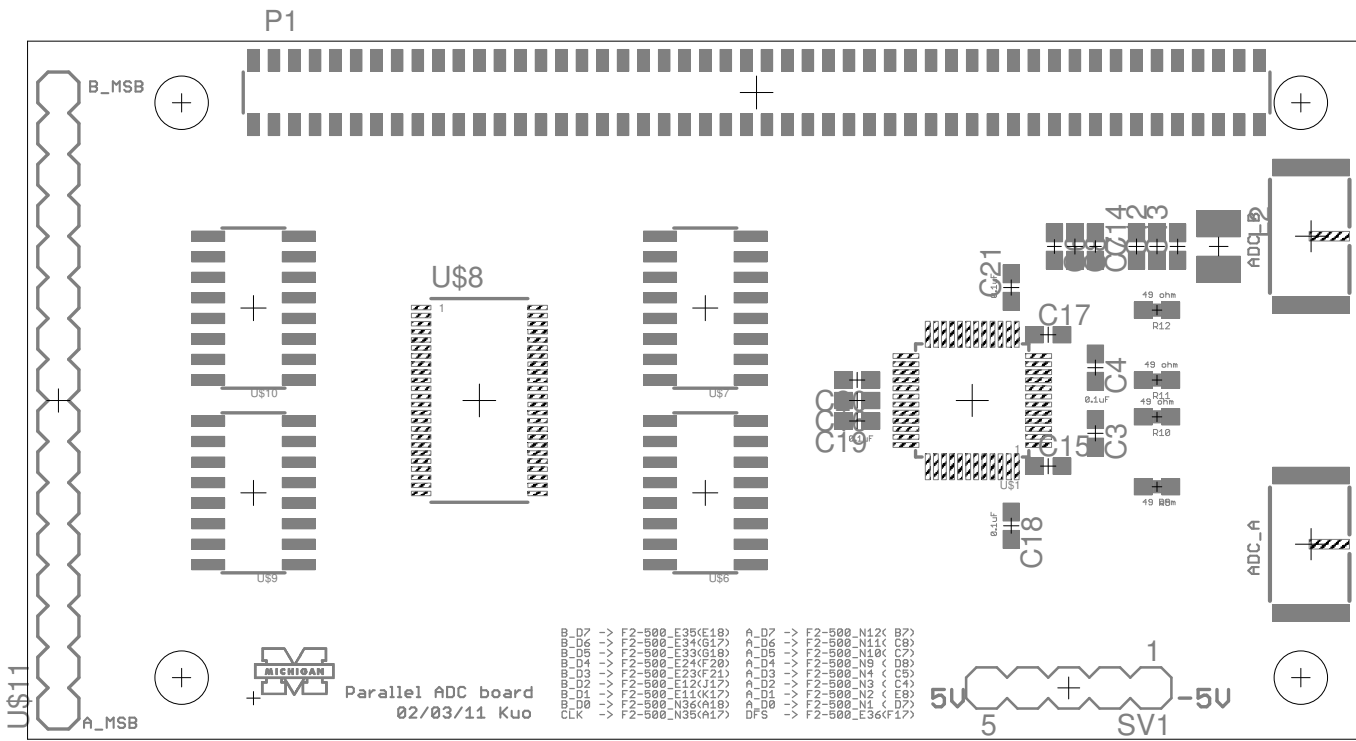
Top Copper Layer



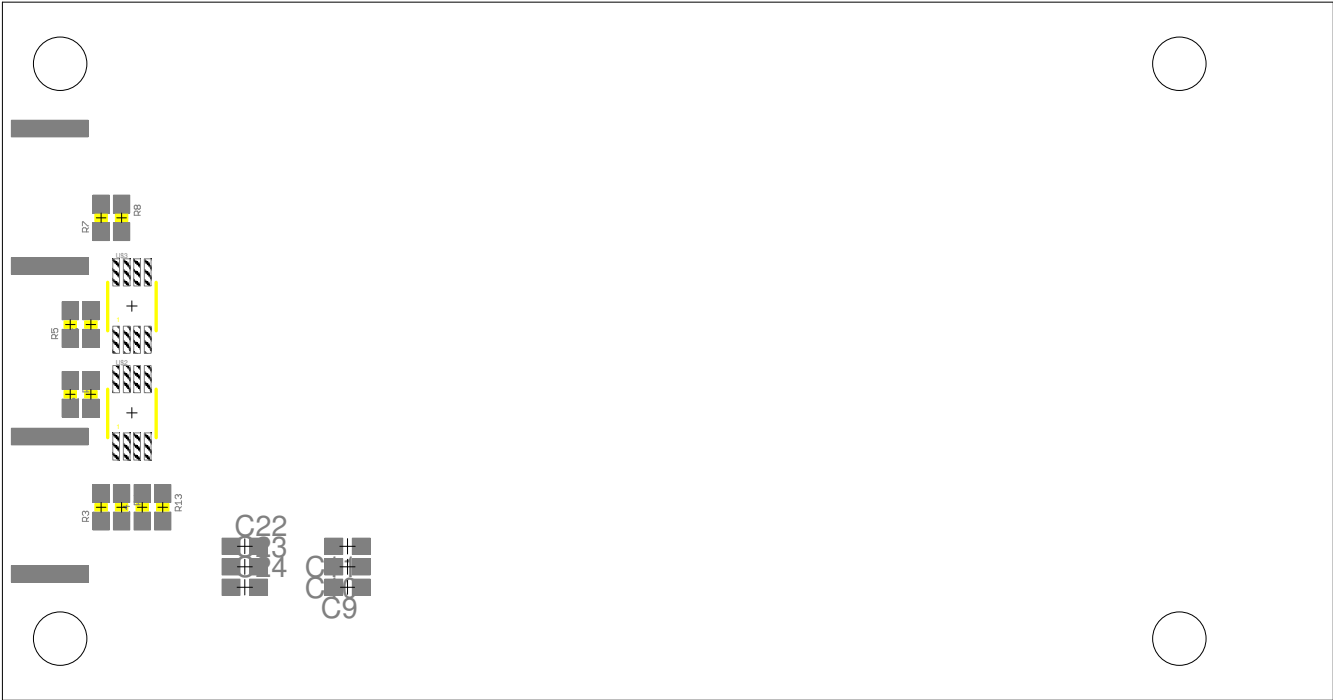
Bottom Copper Layer



Top Paste Layer with Silkscreen

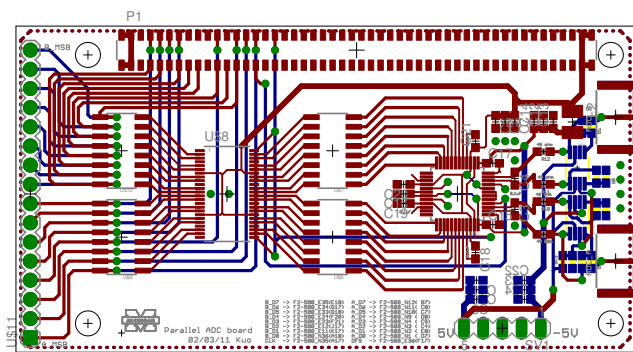


Bottom Paste Layer with Silkscreen

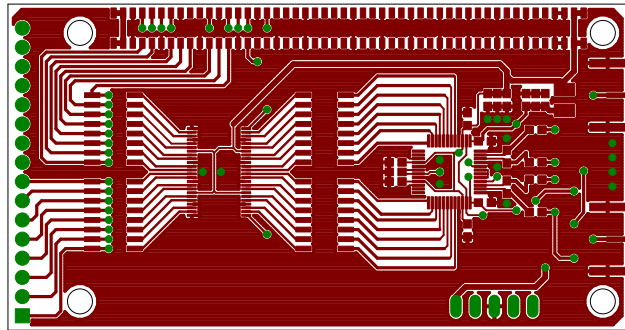




Top and Bottom Layers 1:1 Scale



Top Layer 1:1 Scale



Bottom Copper Layer 1:1 Scale

