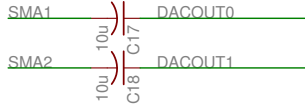
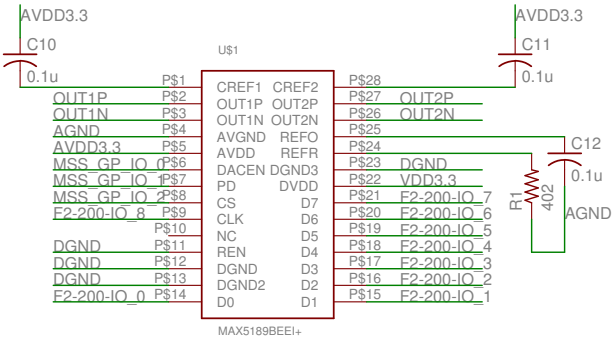
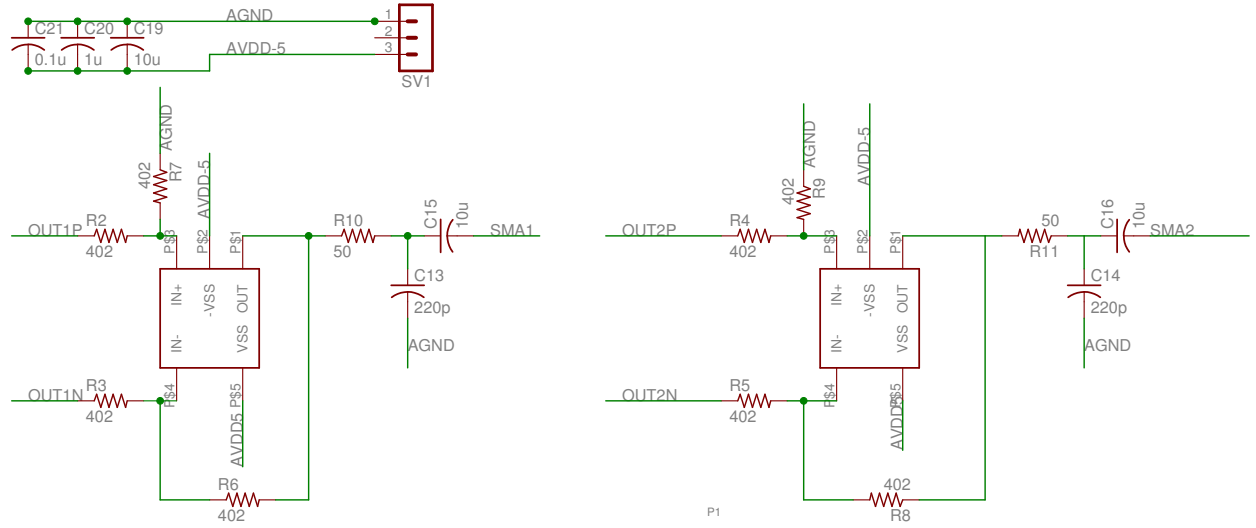


J654  
 P\$4 AGND  
 P\$3 AGND  
 SIGN SMA1  
 P\$2 AGND  
 P\$1 AGND  
 US4

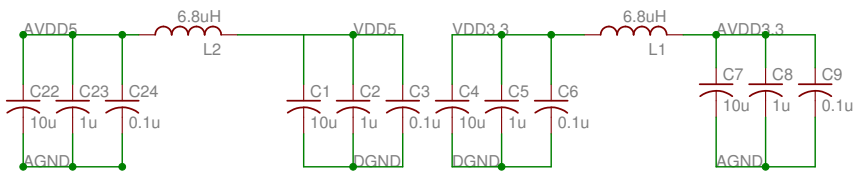


J654  
 P\$4 AGND  
 P\$3 AGND  
 SIGN SMA2  
 P\$2 AGND  
 P\$1 AGND  
 US5

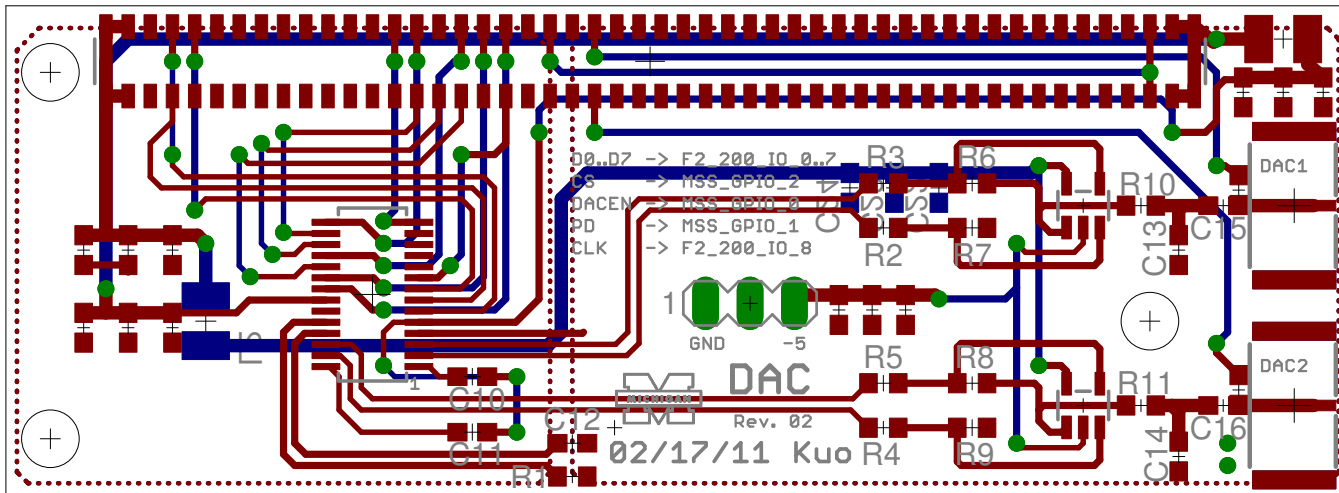


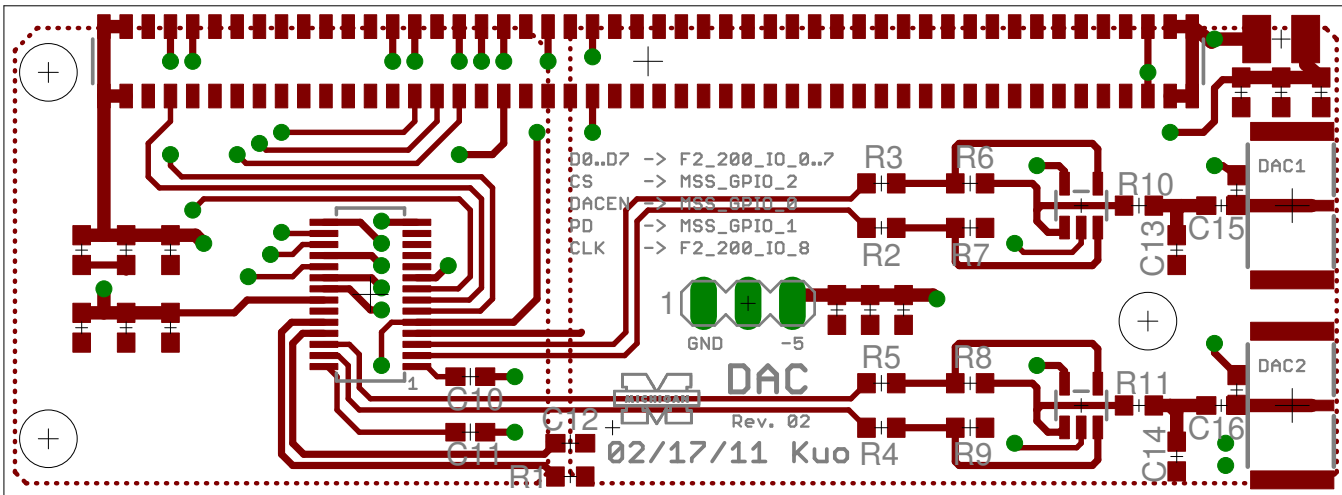
VDD5	P\$2	P\$2	P\$1	P\$1	VDD5
VDD5	P\$4	P\$4	P\$3	P\$3	VDD5
DGND	P\$6	P\$6	P\$5	P\$5	DGND
MSS_GP_IO_1	P\$8	P\$8	P\$7	P\$7	MSS_GP_IO_0
MSS_GP_IO_3	P\$10	P\$10	P\$9	P\$9	MSS_GP_IO_2
DGND	P\$12	P\$12	P\$11	P\$11	MSS_GP_IO_4
MSS_GP_IO_6	P\$14	P\$14	P\$13	P\$13	MSS_GP_IO_5
MSS_GP_IO_7	P\$16	P\$16	P\$15	P\$15	DGND
MSS_GP_IO_9	P\$18	P\$18	P\$17	P\$17	MSS_GP_IO_8
DGND	P\$20	P\$20	P\$19	P\$19	MSS_GP_IO_10
MSS_GP_IO_12	P\$22	P\$22	P\$21	P\$21	MSS_GP_IO_11
MSS_GP_IO_13	P\$24	P\$24	P\$23	P\$23	DGND
MSS_GP_IO_15	P\$26	P\$26	P\$25	P\$25	MSS_GP_IO_14
DGND	P\$28	P\$28	P\$27	P\$27	F2-200-I/O_0
F2-200-I/O_2	P\$30	P\$30	P\$29	P\$29	F2-200-I/O_1
F2-200-I/O_3	P\$32	P\$32	P\$31	P\$31	DGND
F2-200-I/O_5	P\$34	P\$34	P\$33	P\$33	F2-200-I/O_4
DGND	P\$36	P\$36	P\$35	P\$35	F2-200-I/O_6
F2-200-I/O_8	P\$38	P\$38	P\$37	P\$37	F2-200-I/O_7
PWM1	P\$40	P\$40	P\$39	P\$39	PWM0
DGND	P\$42	P\$42	P\$41	P\$41	DGND
AGND	P\$44	P\$44	P\$43	P\$43	AGND
DACOUT1	P\$46	P\$46	P\$45	P\$45	DACOUT0
AGND	P\$48	P\$48	P\$47	P\$47	AGND
AT2	P\$50	P\$50	P\$49	P\$49	AC2
ATGND1	P\$52	P\$52	P\$51	P\$51	AGND
AT3	P\$54	P\$54	P\$53	P\$53	AC3
AGND	P\$56	P\$56	P\$55	P\$55	AGND
AT4	P\$58	P\$58	P\$57	P\$57	AC4
ATGND2	P\$60	P\$60	P\$59	P\$59	AGND
AV2_1	P\$62	P\$62	P\$61	P\$61	AV1_1
AGND	P\$64	P\$64	P\$63	P\$63	AGND
AV2_3	P\$66	P\$66	P\$65	P\$65	AV1_3
AGND	P\$68	P\$68	P\$67	P\$67	AGND
AV1_4	P\$70	P\$70	P\$69	P\$69	AV2_4
AGND	P\$72	P\$72	P\$71	P\$71	AGND
ADC3	P\$74	P\$74	P\$73	P\$73	ADC2
AGND	P\$76	P\$76	P\$75	P\$75	AGND
ADC5	P\$78	P\$78	P\$77	P\$77	ADC4
AGND	P\$80	P\$80	P\$79	P\$79	AGND
ADC7	P\$82	P\$82	P\$81	P\$81	ADC6
AGND	P\$84	P\$84	P\$83	P\$83	AGND
ADC9	P\$86	P\$86	P\$85	P\$85	ADC8
AGND	P\$88	P\$88	P\$87	P\$87	AGND
ADC11	P\$90	P\$90	P\$89	P\$89	ADC10
AGND	P\$92	P\$92	P\$91	P\$91	AC1
AGND	P\$94	P\$94	P\$93	P\$93	AGND
DGND	P\$96	P\$96	P\$95	P\$95	DGND
VDD3.3	P\$98	P\$98	P\$97	P\$97	VDD3.3
VDD3.3	P\$100	P\$100	P\$99	P\$99	VDD3.3

DEV\_CLP-150

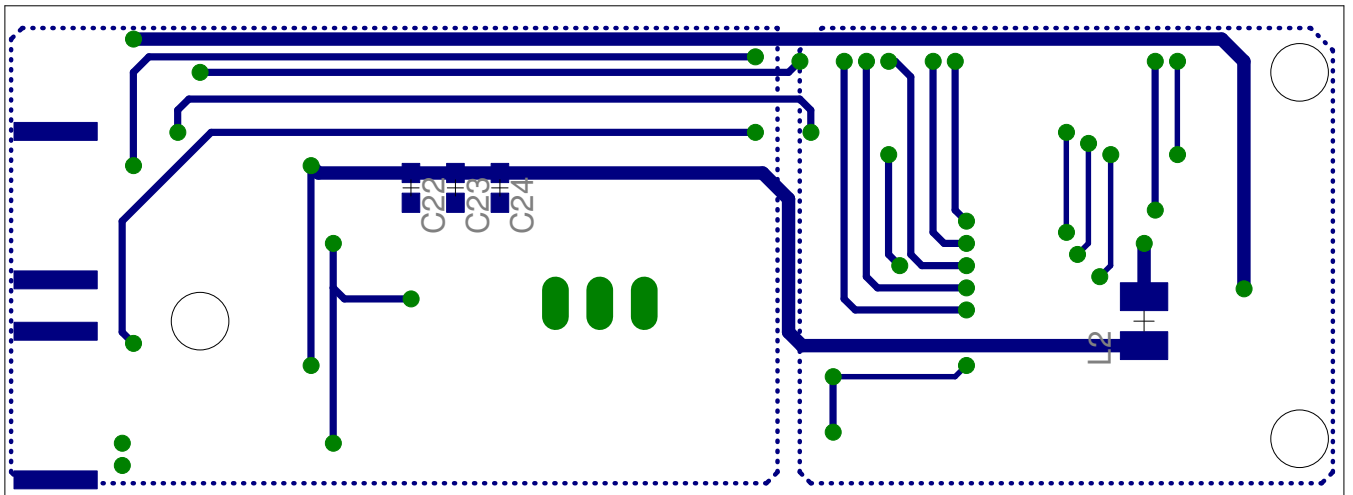


Top and Bottom Layers

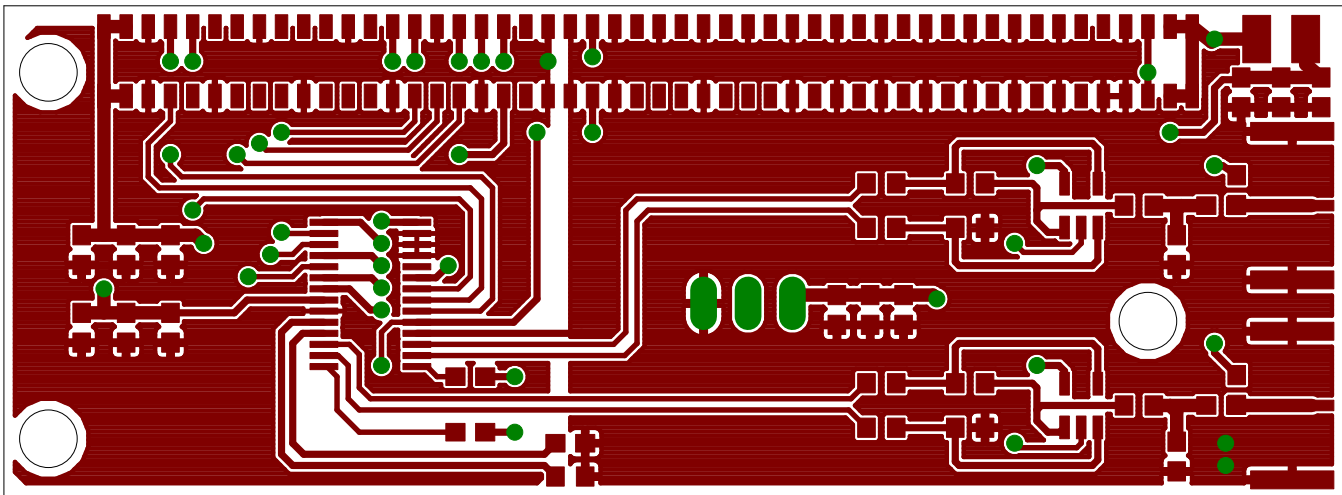




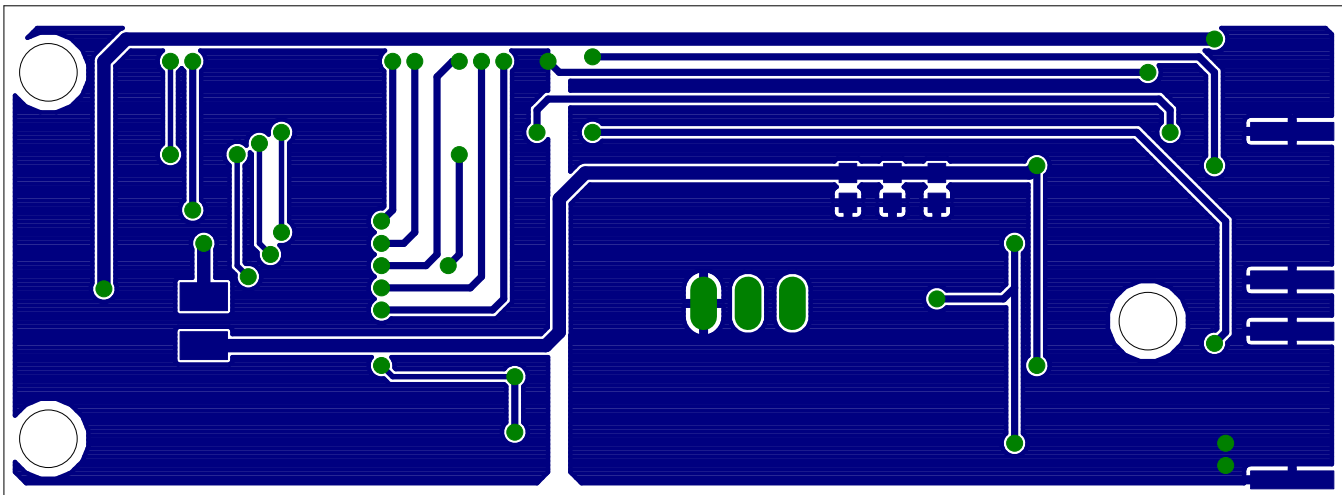
Bottom Layer



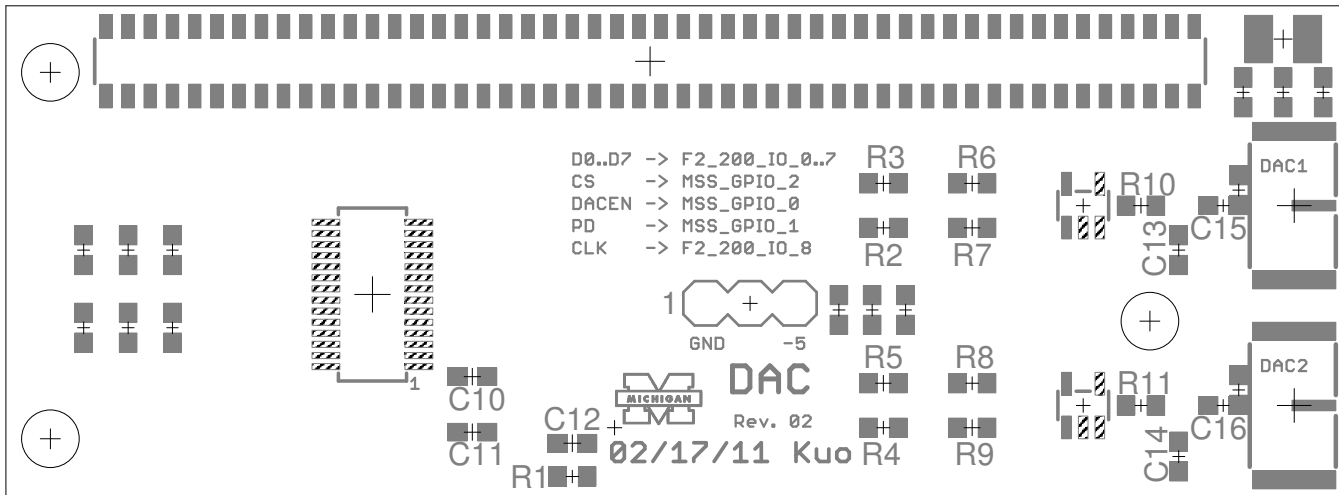
Top Copper Layer



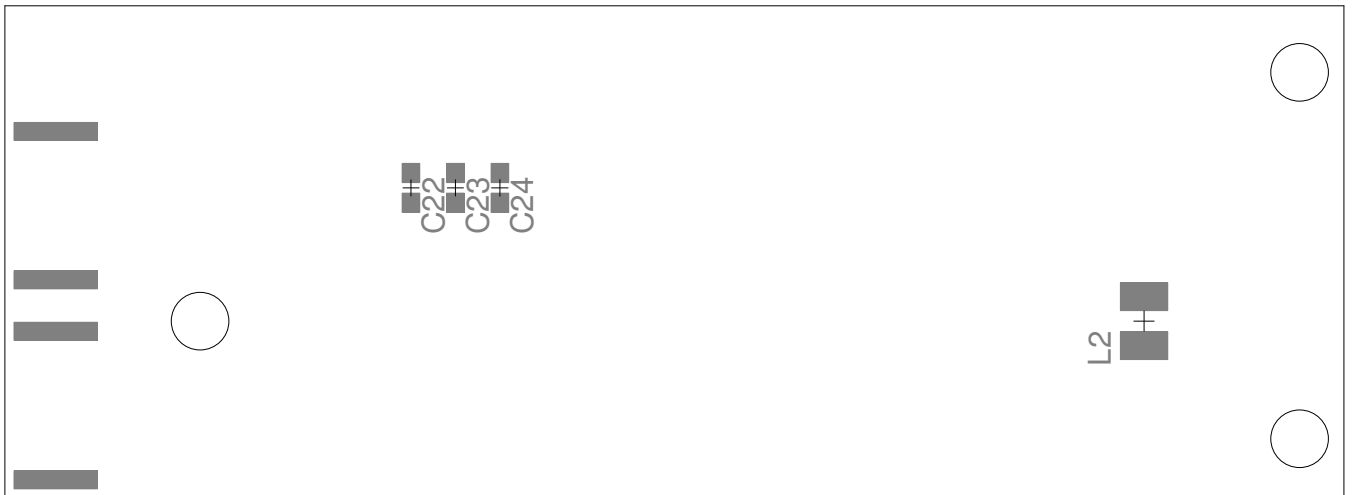
Bottom Copper Layer



Top Paste Layer with Silkscreen

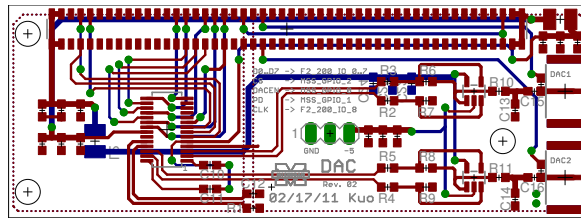


Bottom Paste Layer with Silkscreen

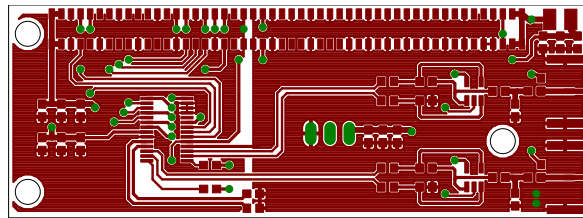




Top and Bottom Layers 1:1 Scale



Top Layer 1:1 Scale



Bottom Copper Layer 1:1 Scale

