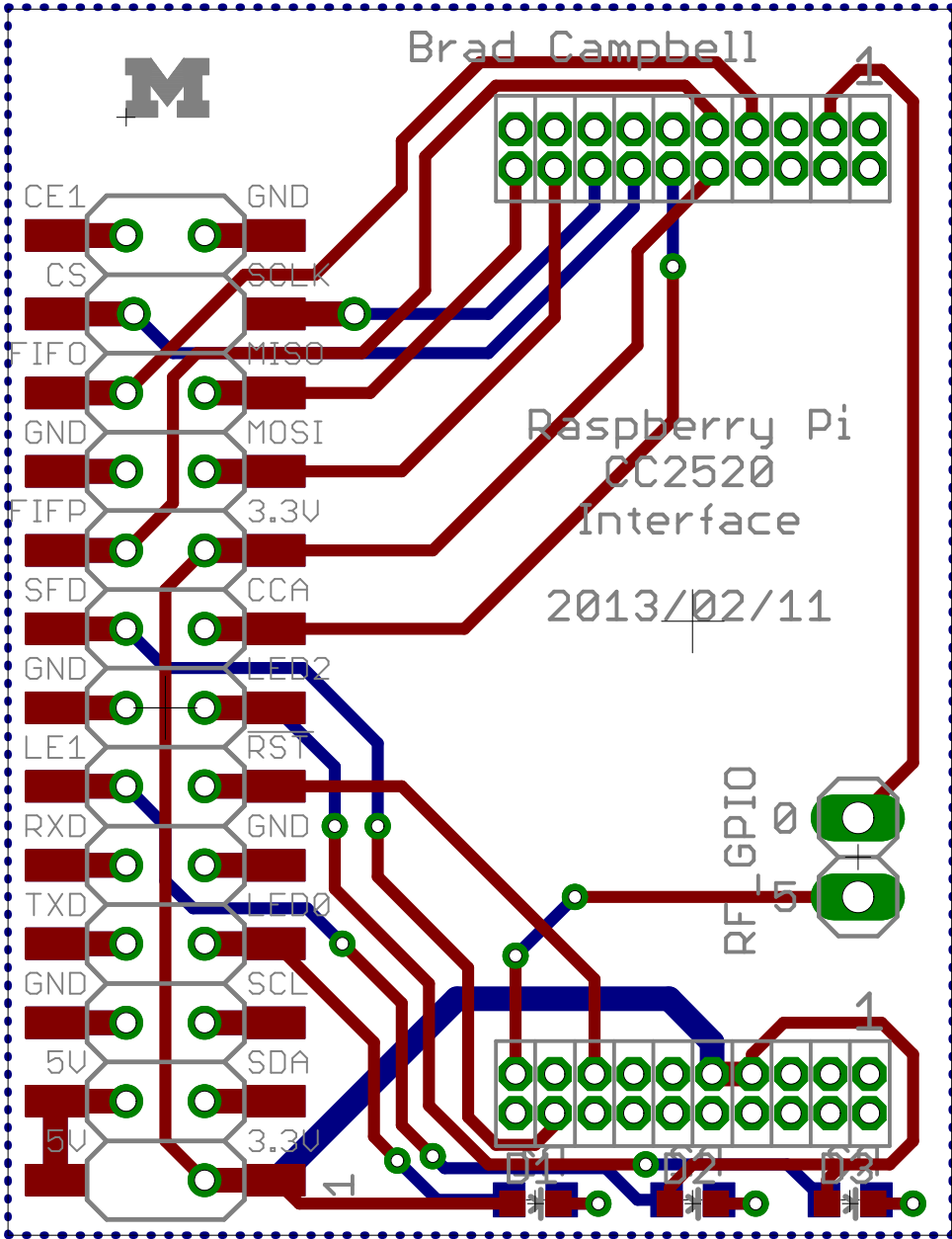


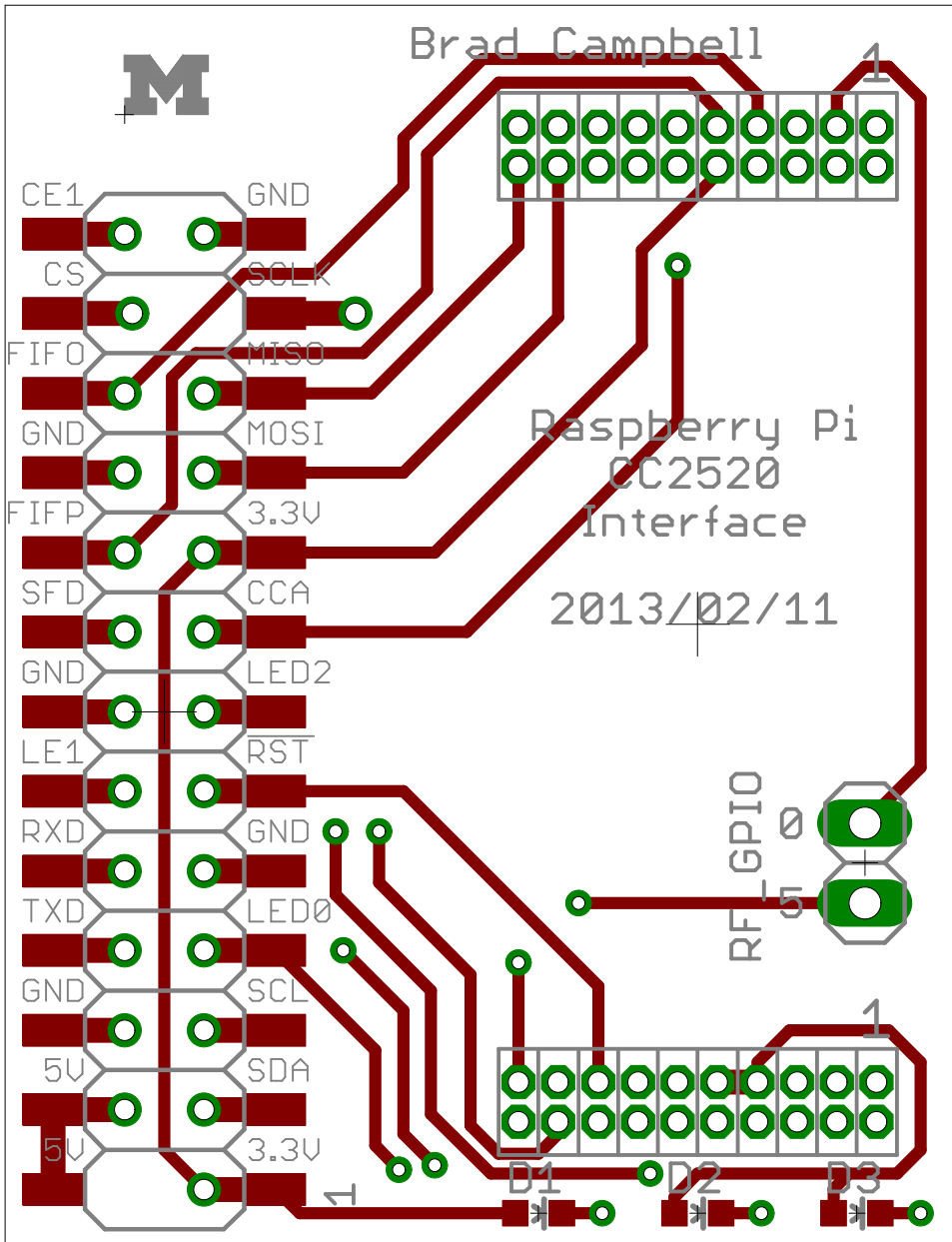
M >TITLE

REV:
>REV

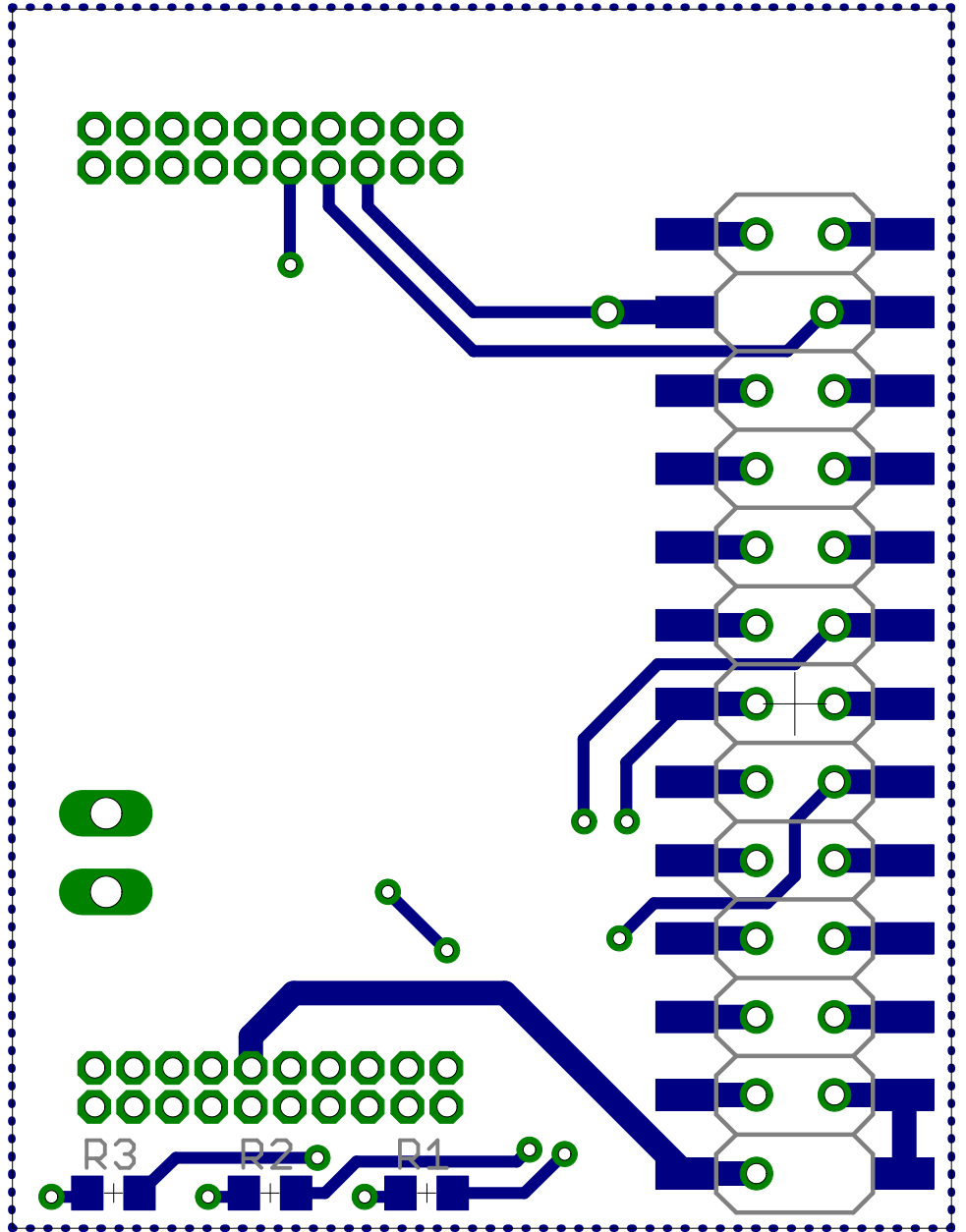
Date: 9/22/13 6:48 PM

Sheet: 1/1

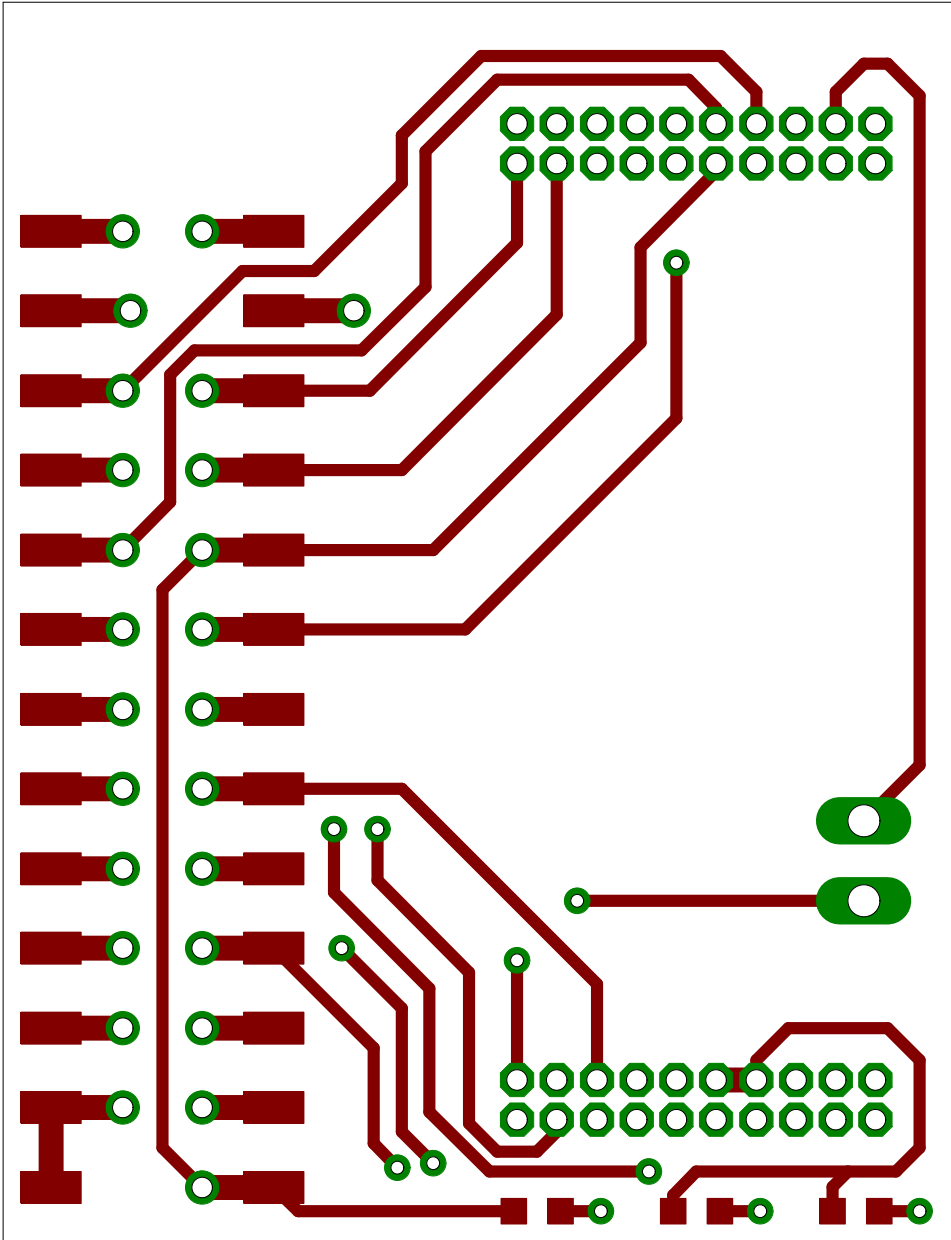




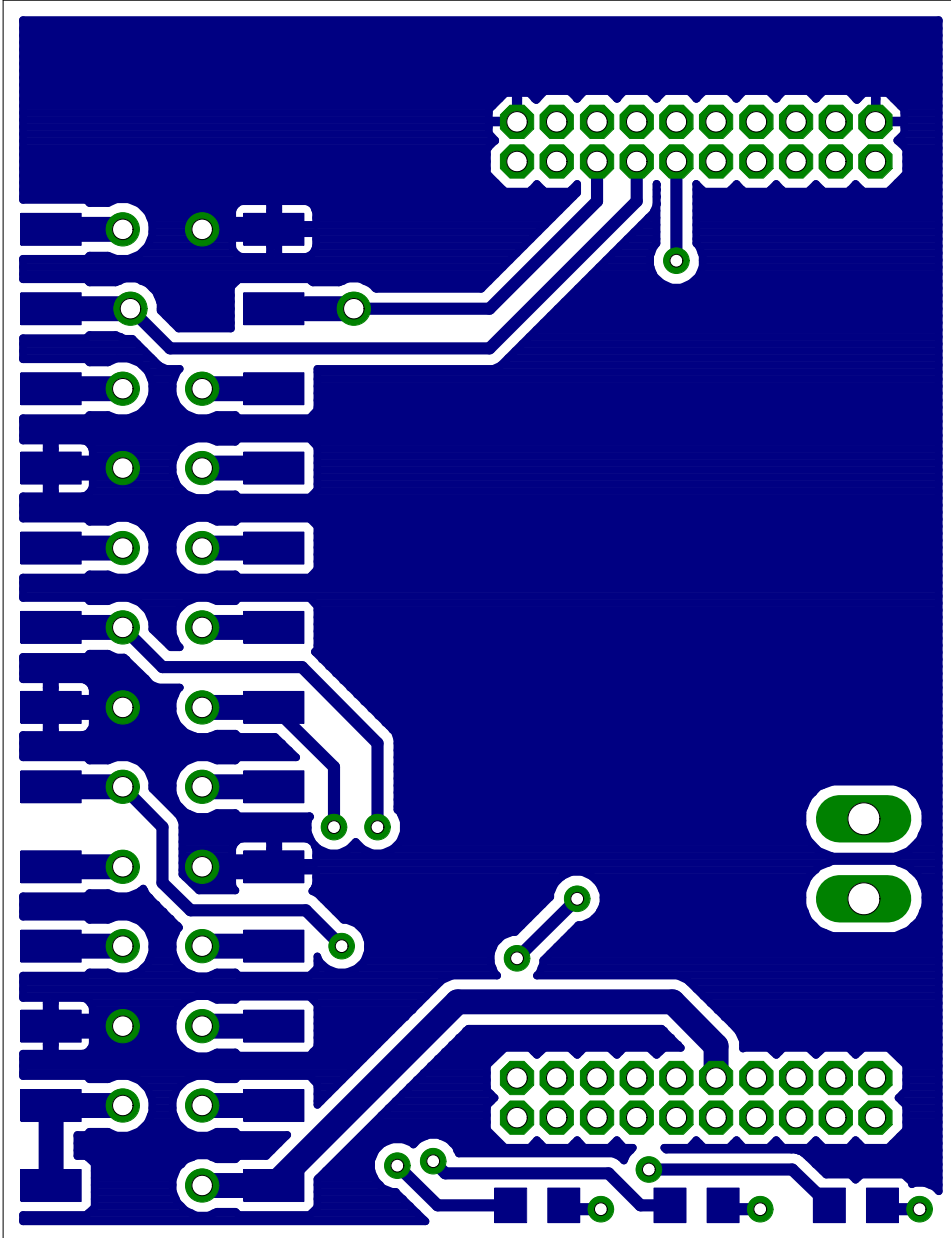
Bottom Layer

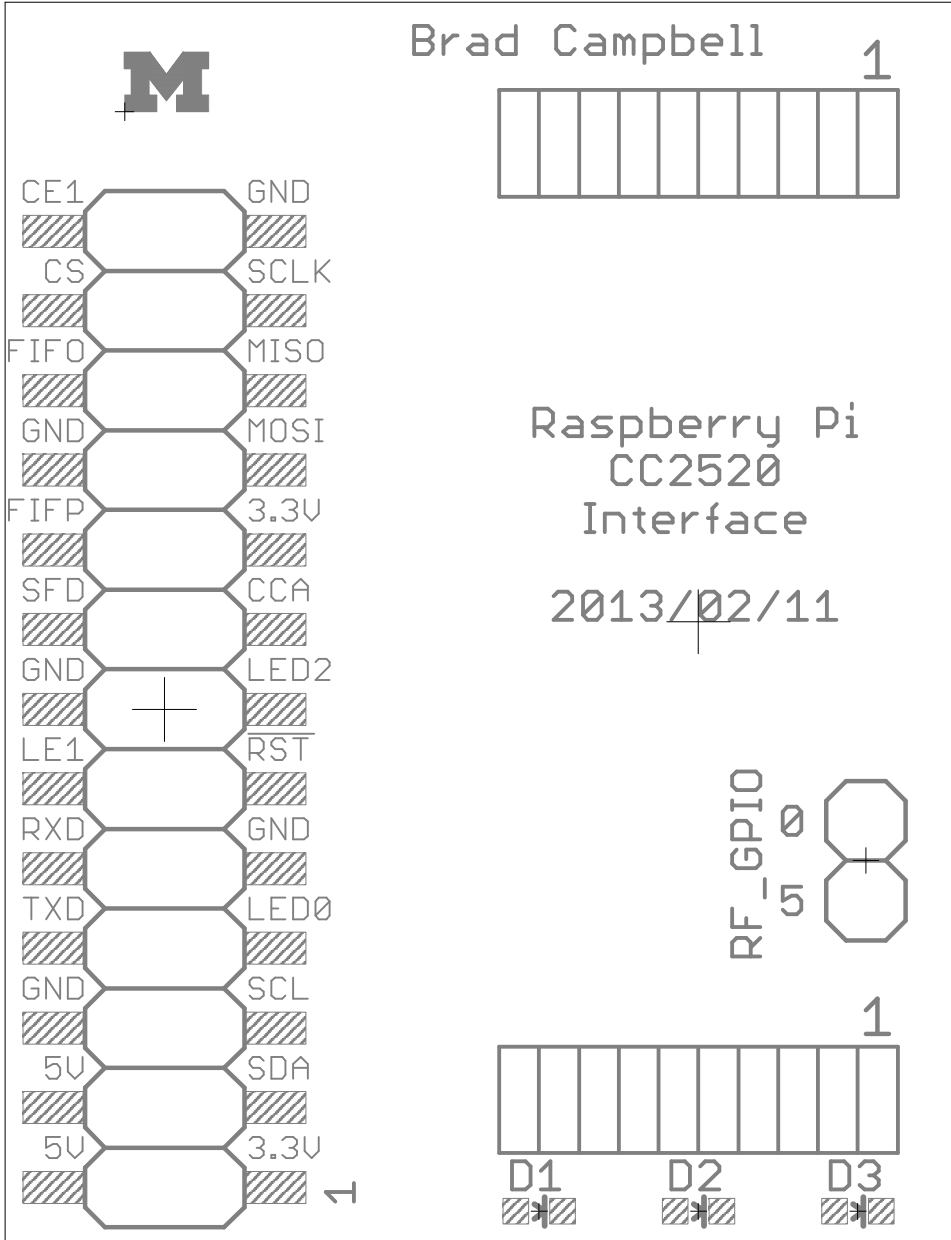


Top Copper Layer

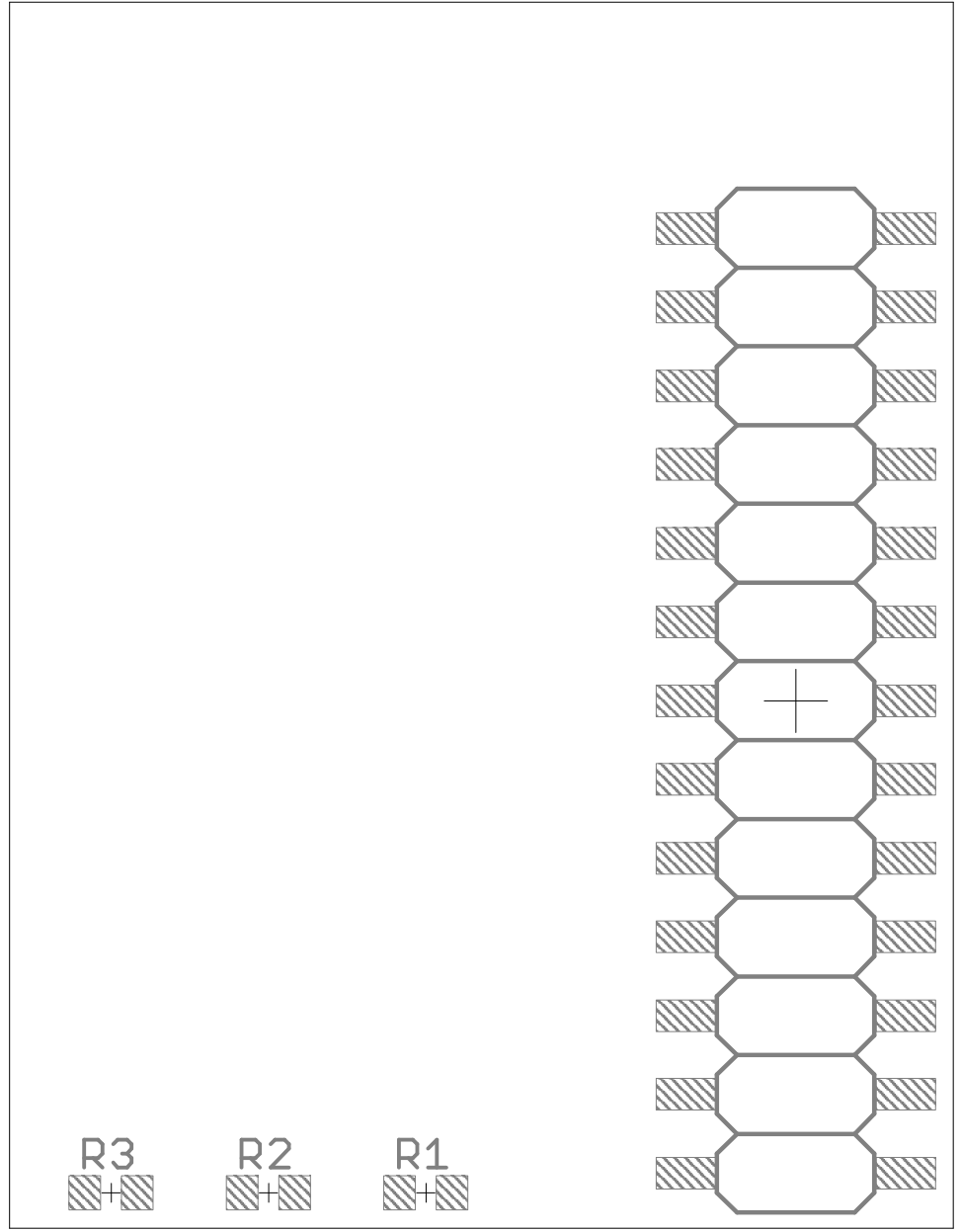


Bottom Copper Layer

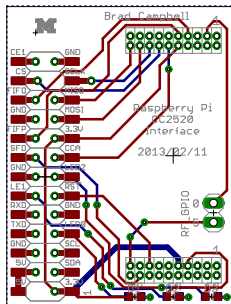




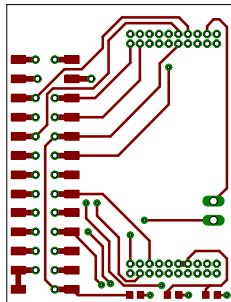
Bottom Paste Layer with Silkscreen



Top and Bottom Layers 1:1 Scale



Top Layer 1:1 Scale



Bottom Copper Layer 1:1 Scale

