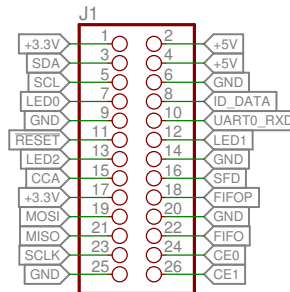
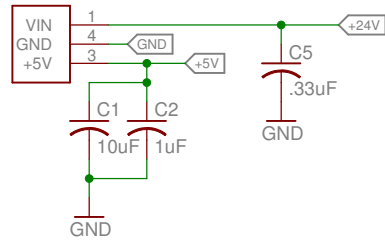
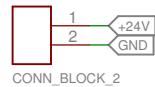
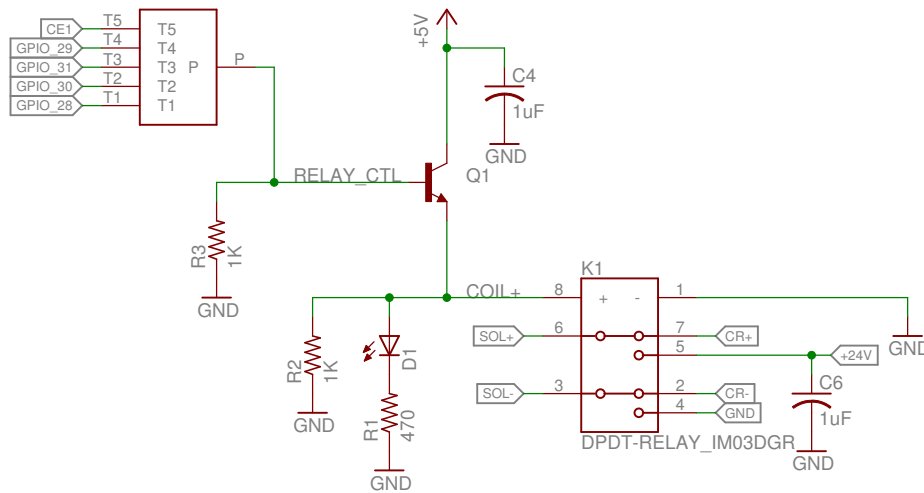
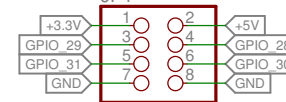




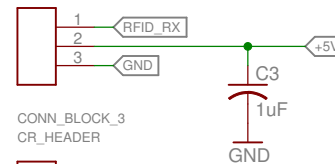
24VPOWER



JP1

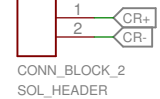


RFID\_HEADER



CONN\_BLOCK\_3

CR\_HEADER

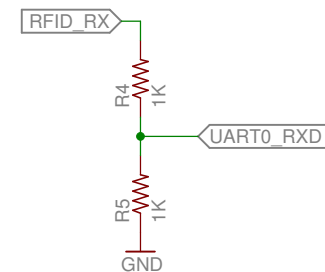


CONN\_BLOCK\_2

SOL\_HEADER



CONN\_BLOCK\_2



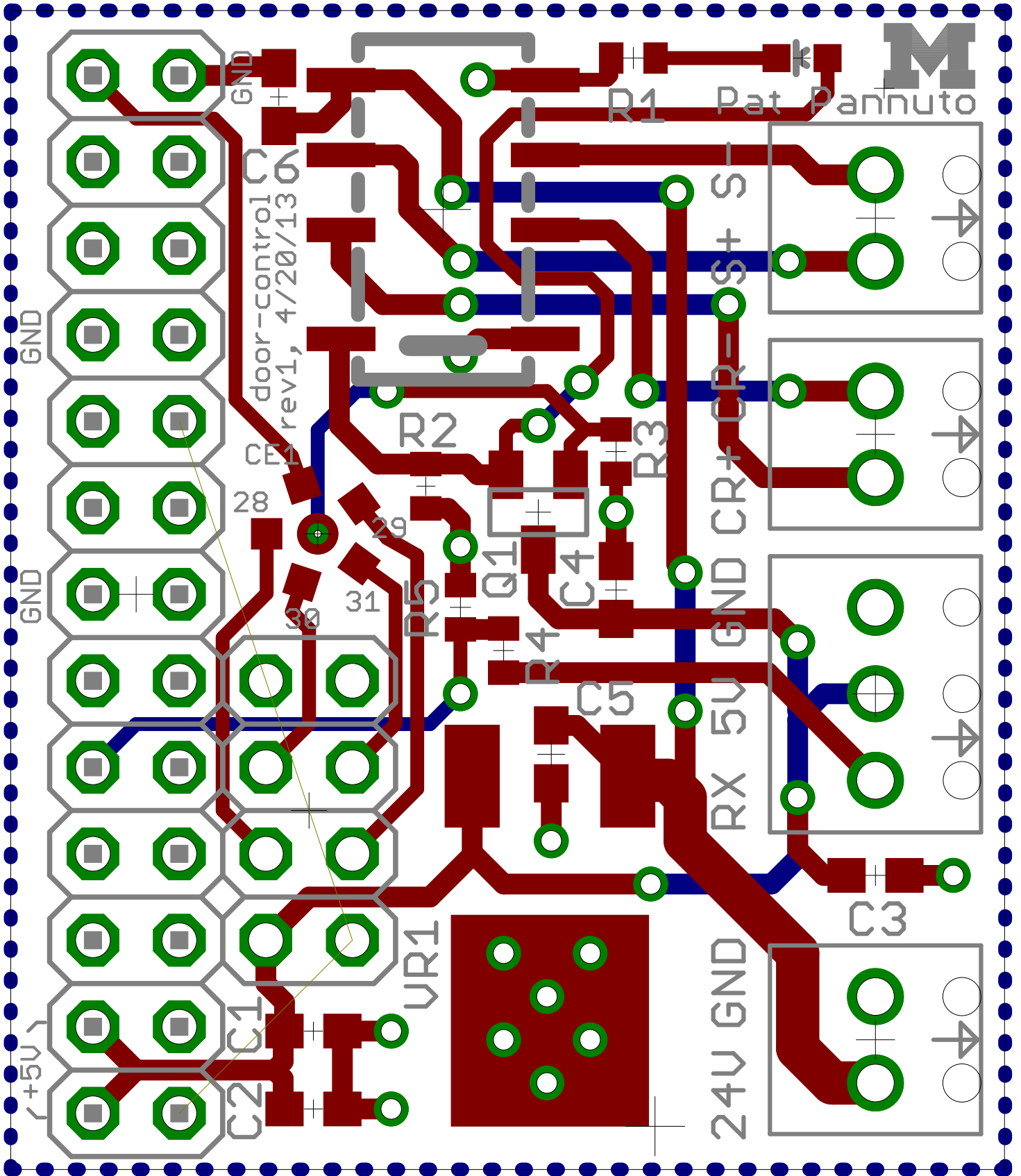
TITLE: door-control

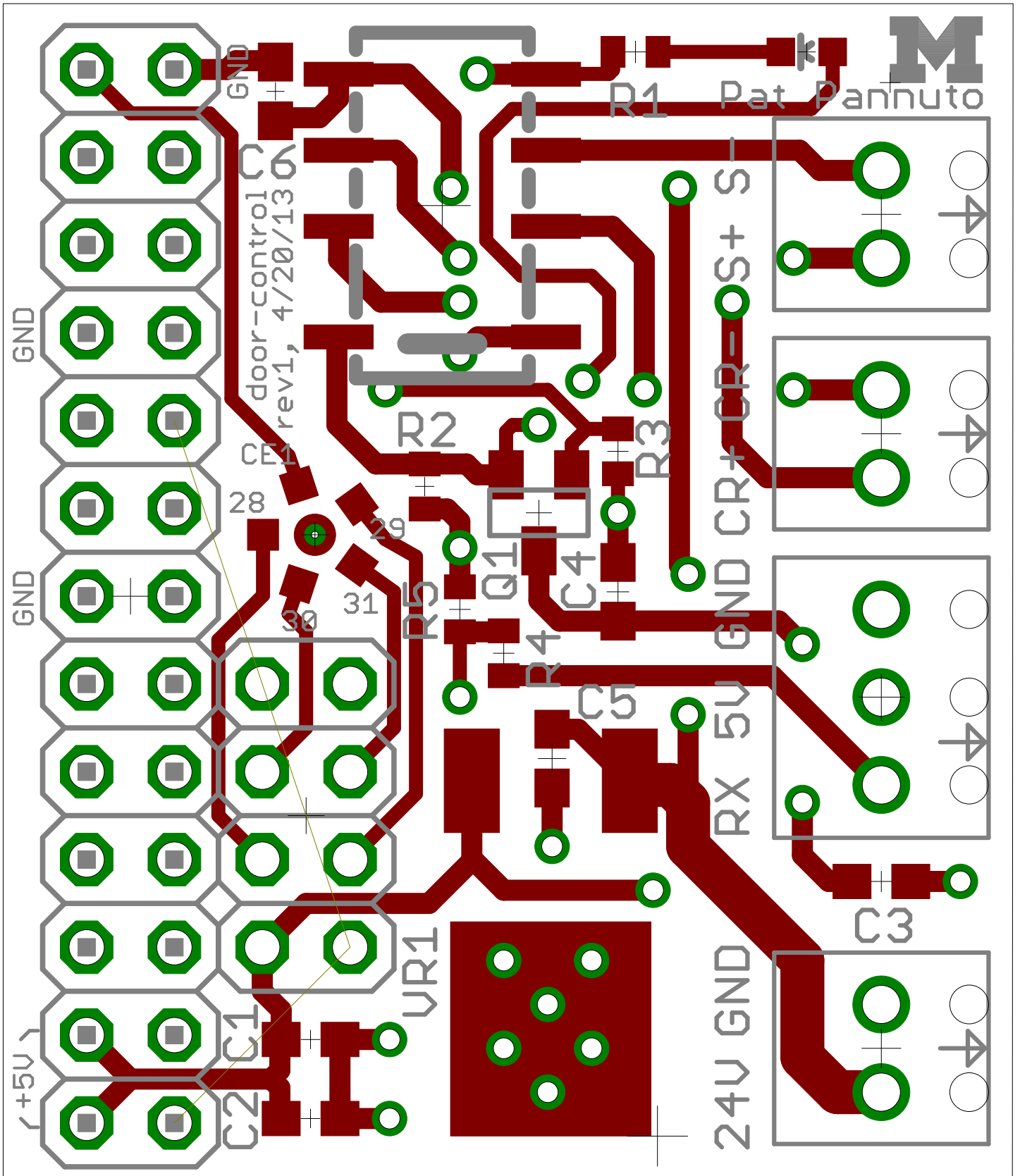
Document Number:

REV:

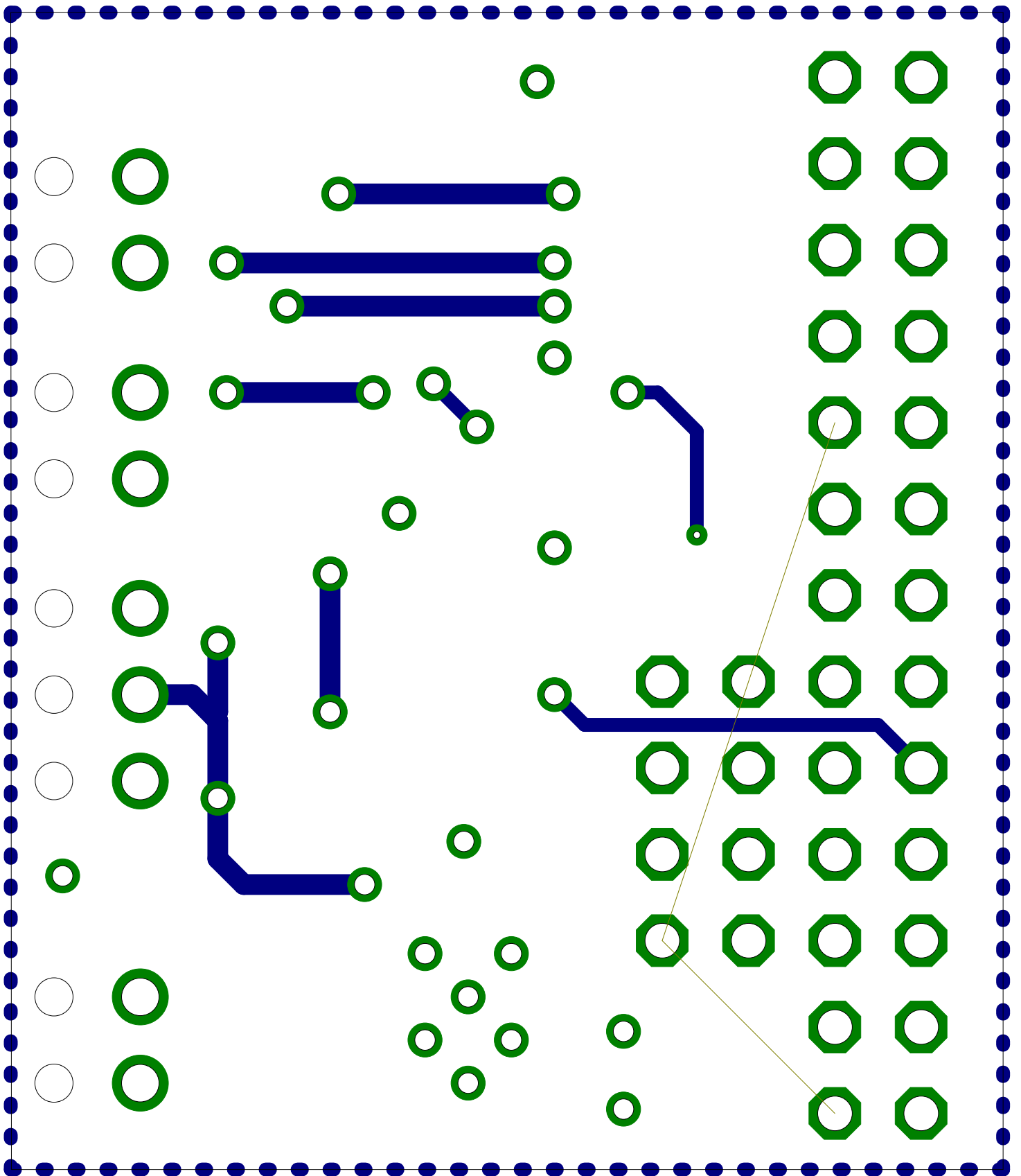
Date: 10/20/13 6:41 PM

Sheet: 1/1

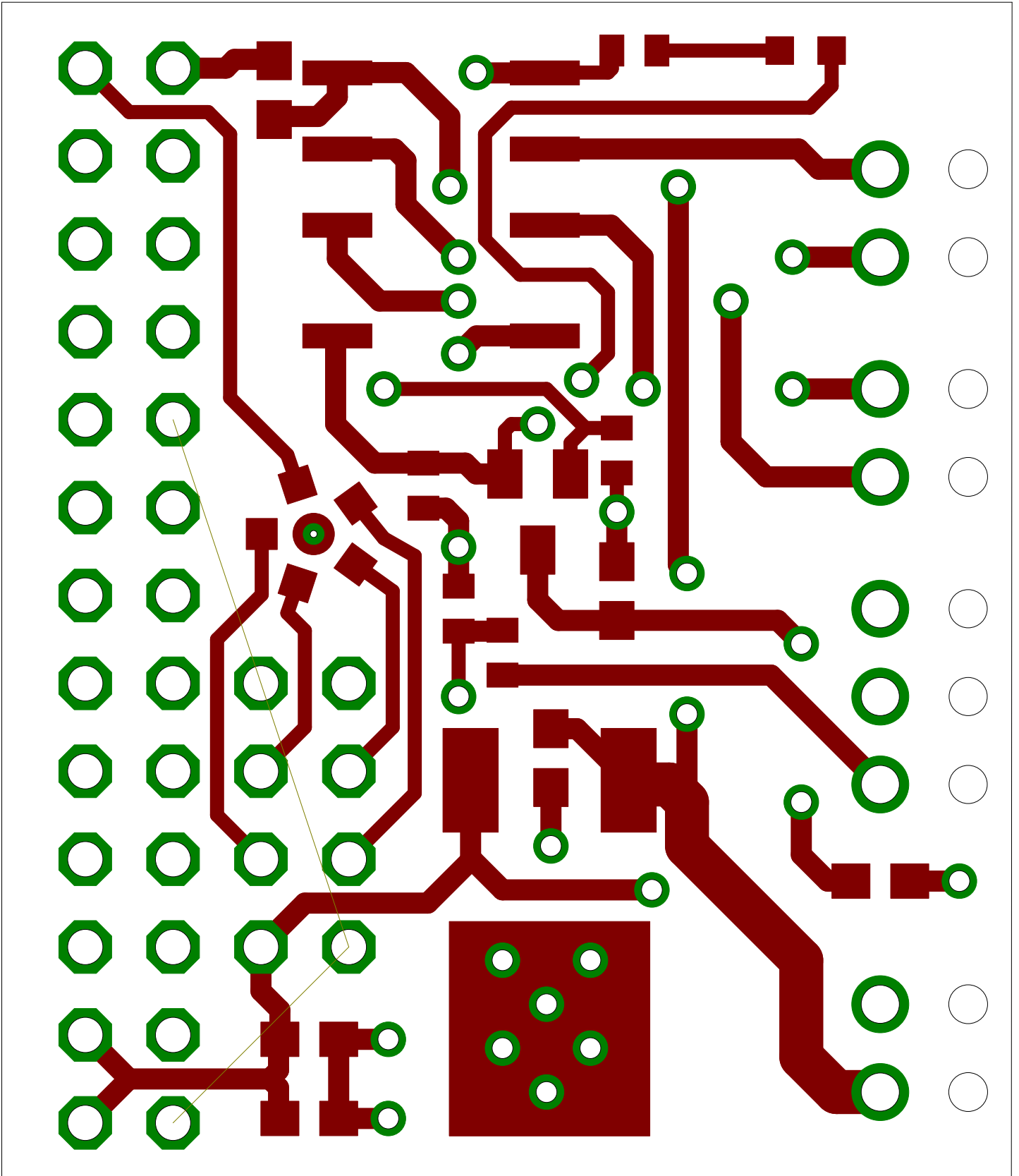




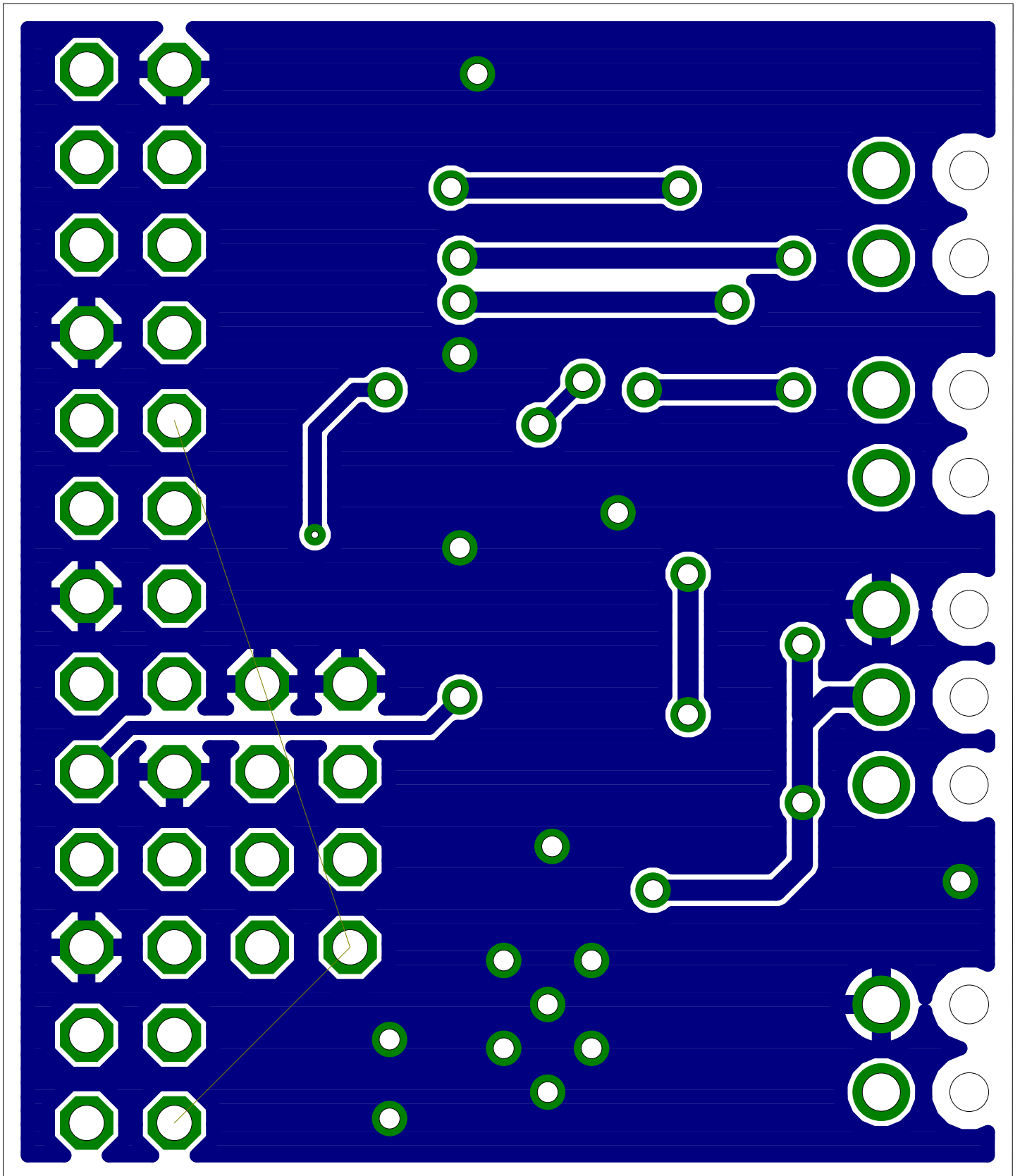
Bottom Layer



Top Copper Layer

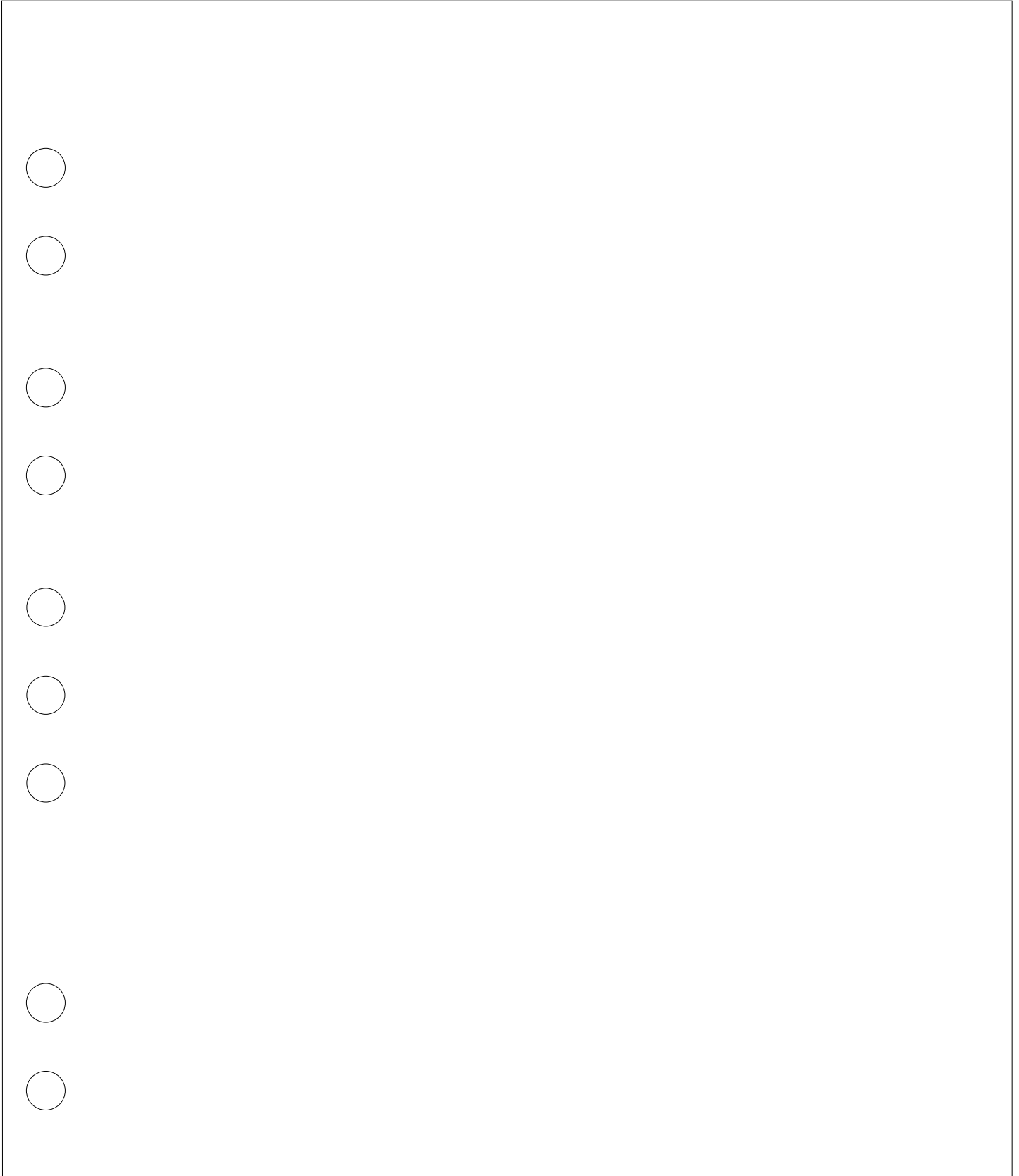


Bottom Copper Layer



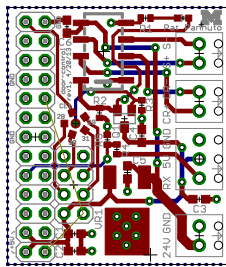


Bottom Paste Layer with Silkscreen

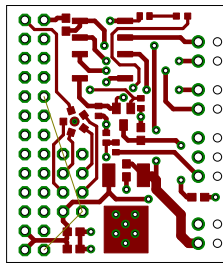




Top and Bottom Layers 1:1 Scale



Top Layer 1:1 Scale



Bottom Copper Layer 1:1 Scale

