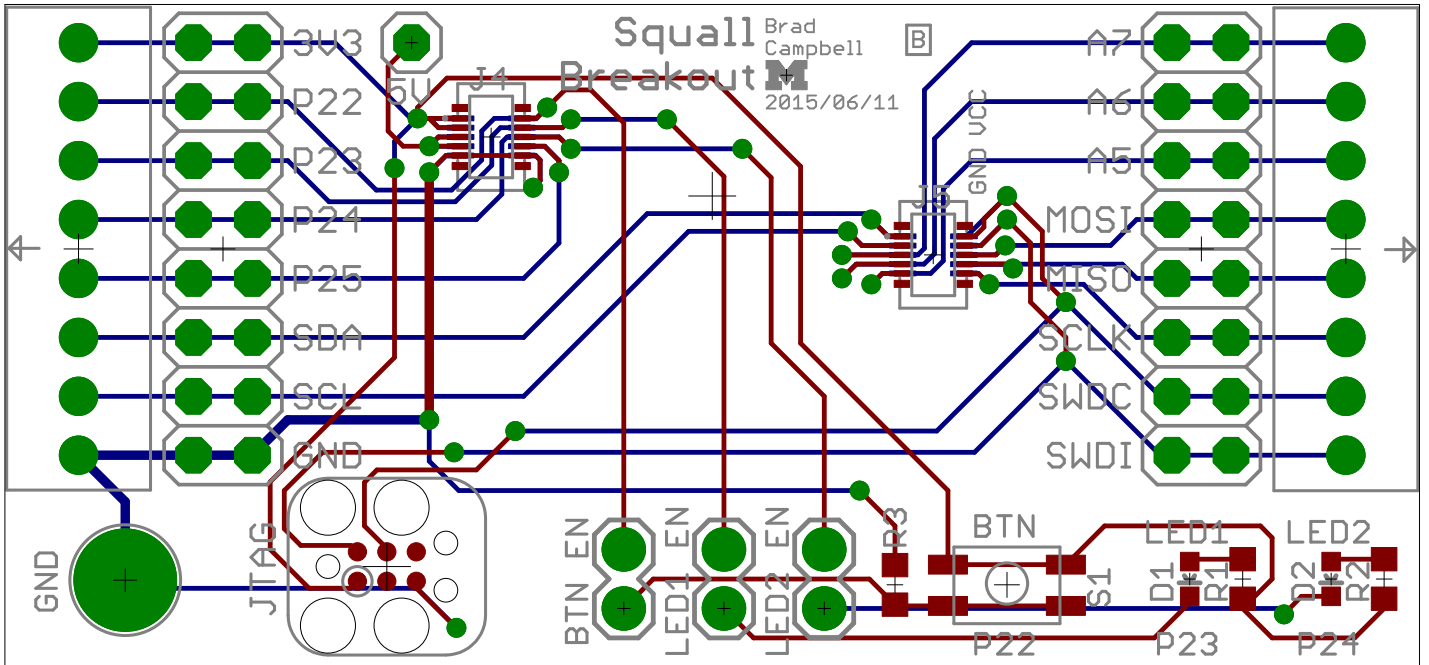
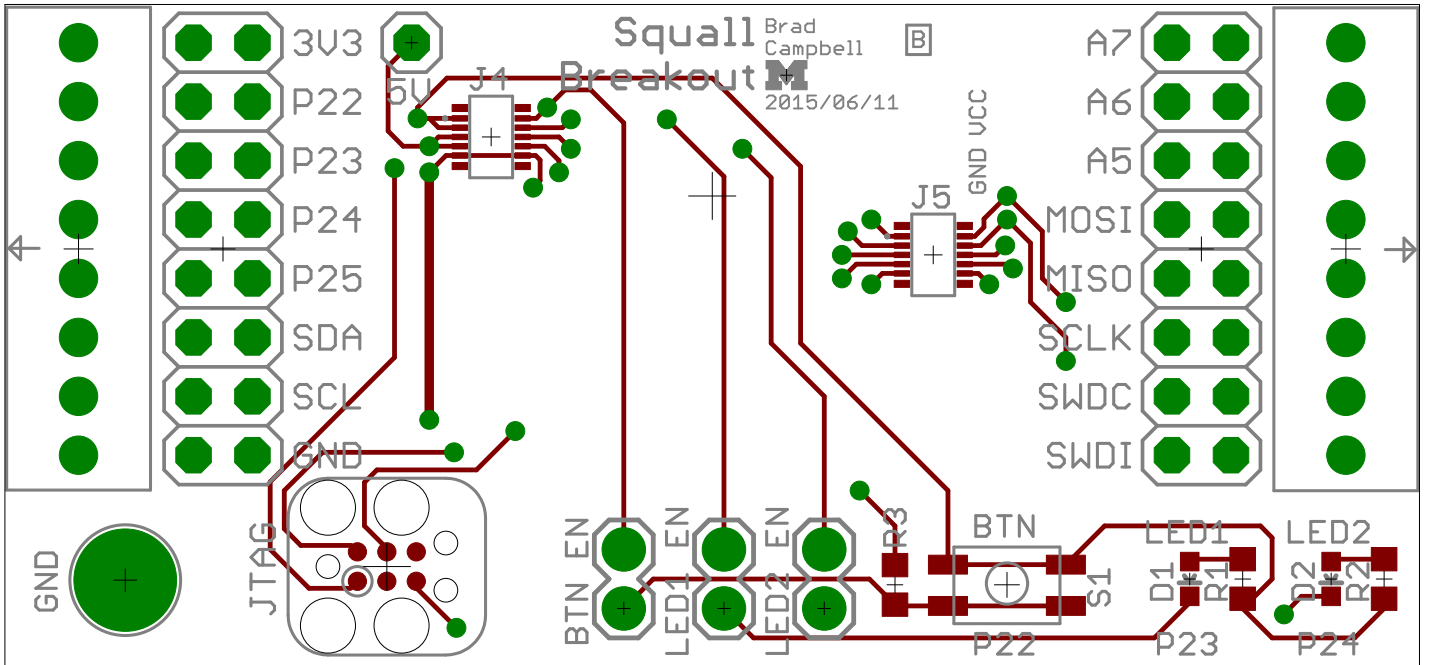


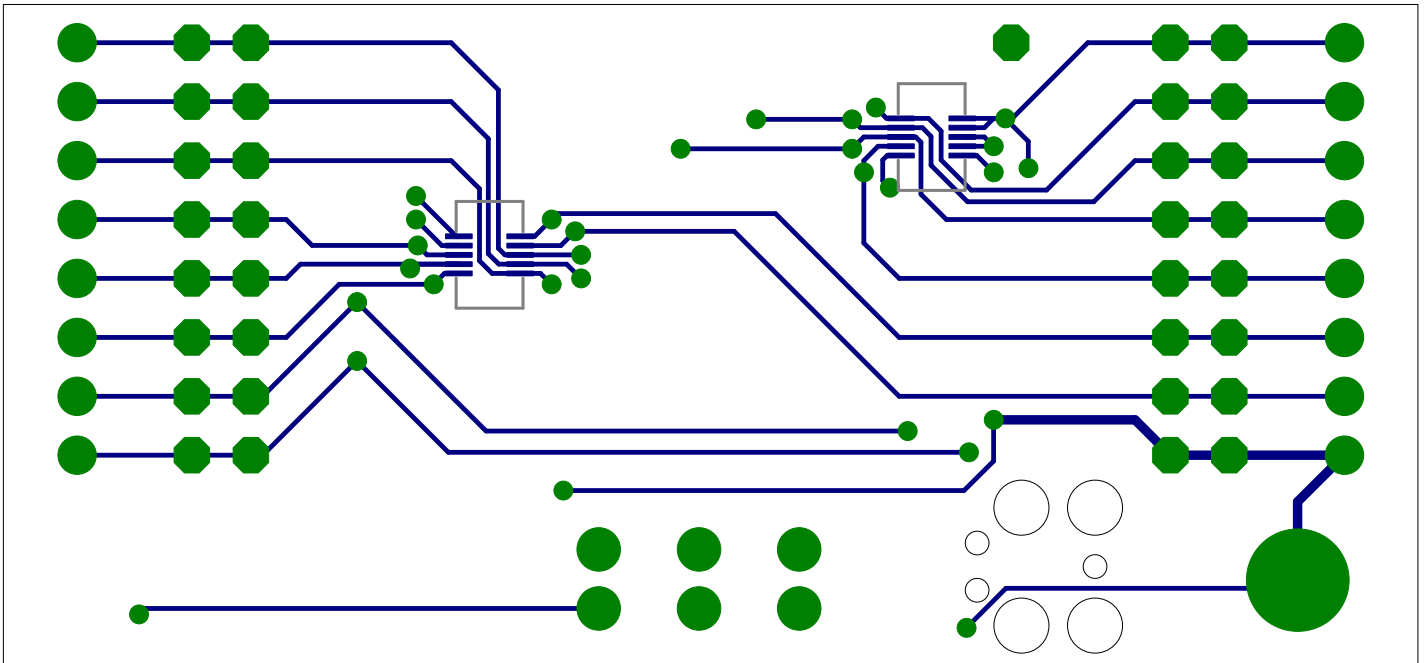
M	Squall Breakout		REV: A
	Author: Brad Campbell		
	Date: 6/11/15 3:07 AM	Sheet: 1/1	

Top and Bottom Layers

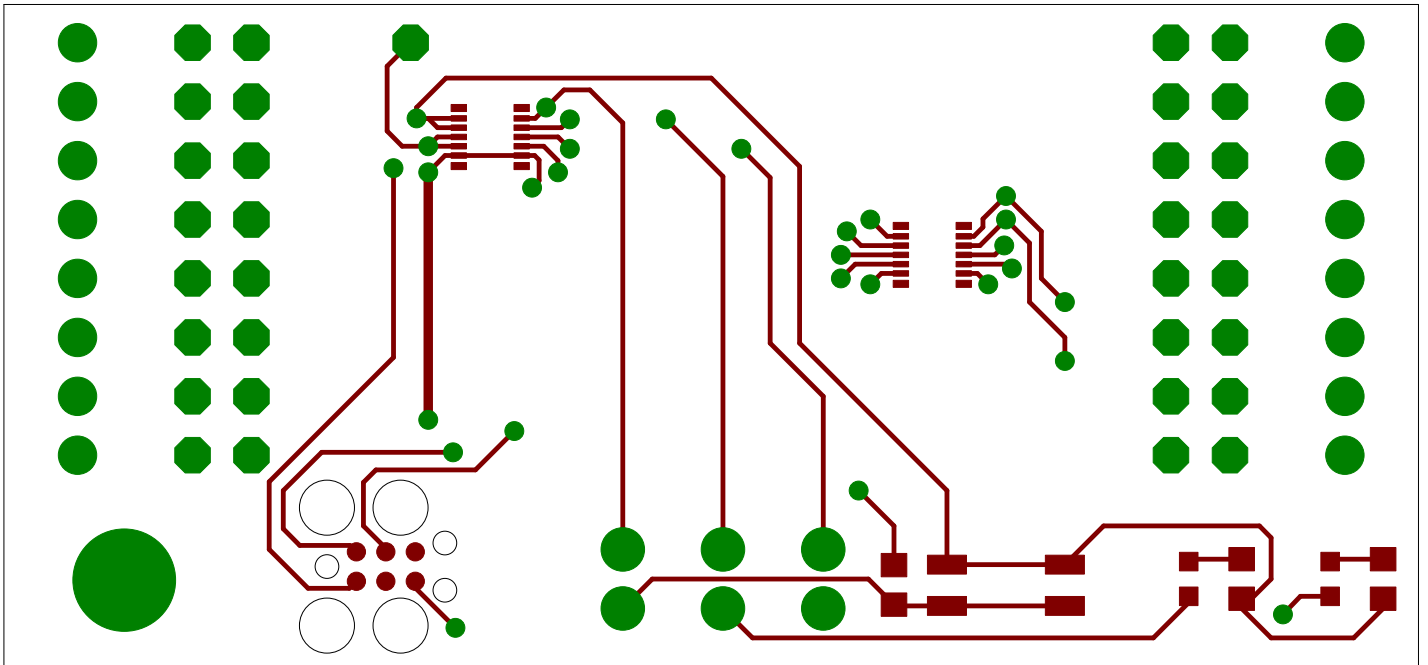




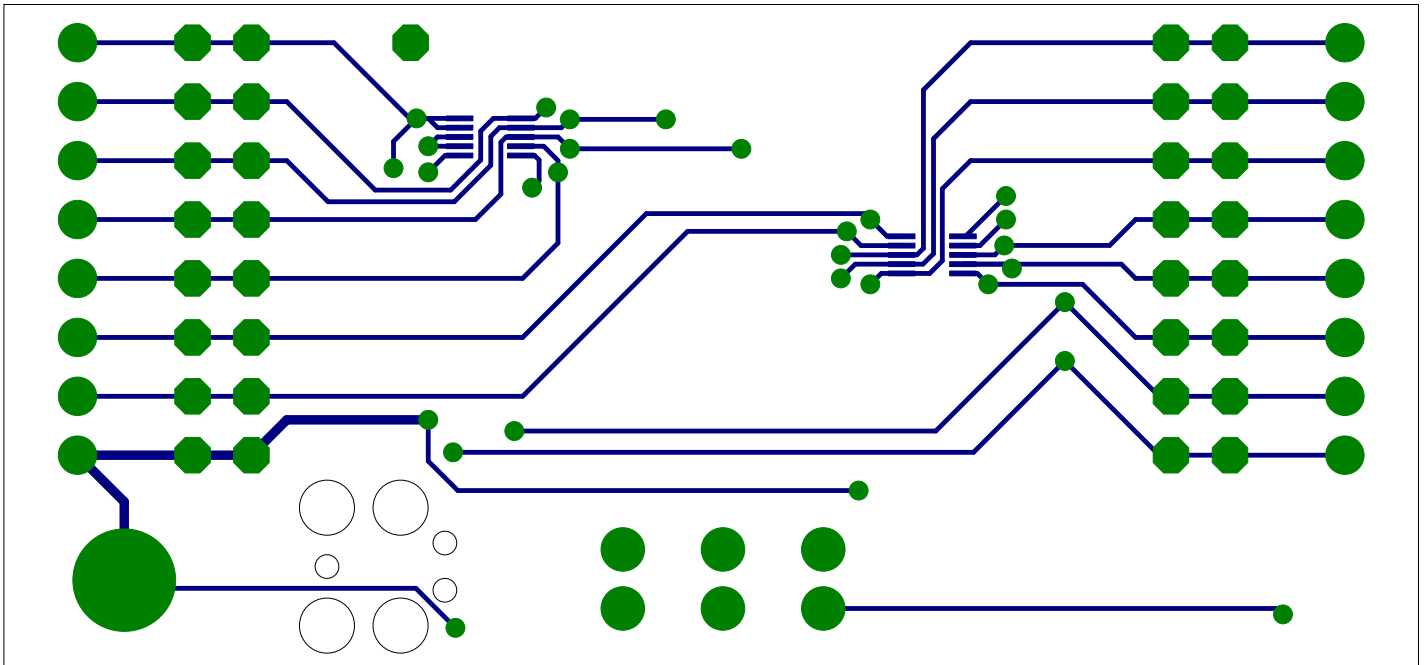
Bottom Layer

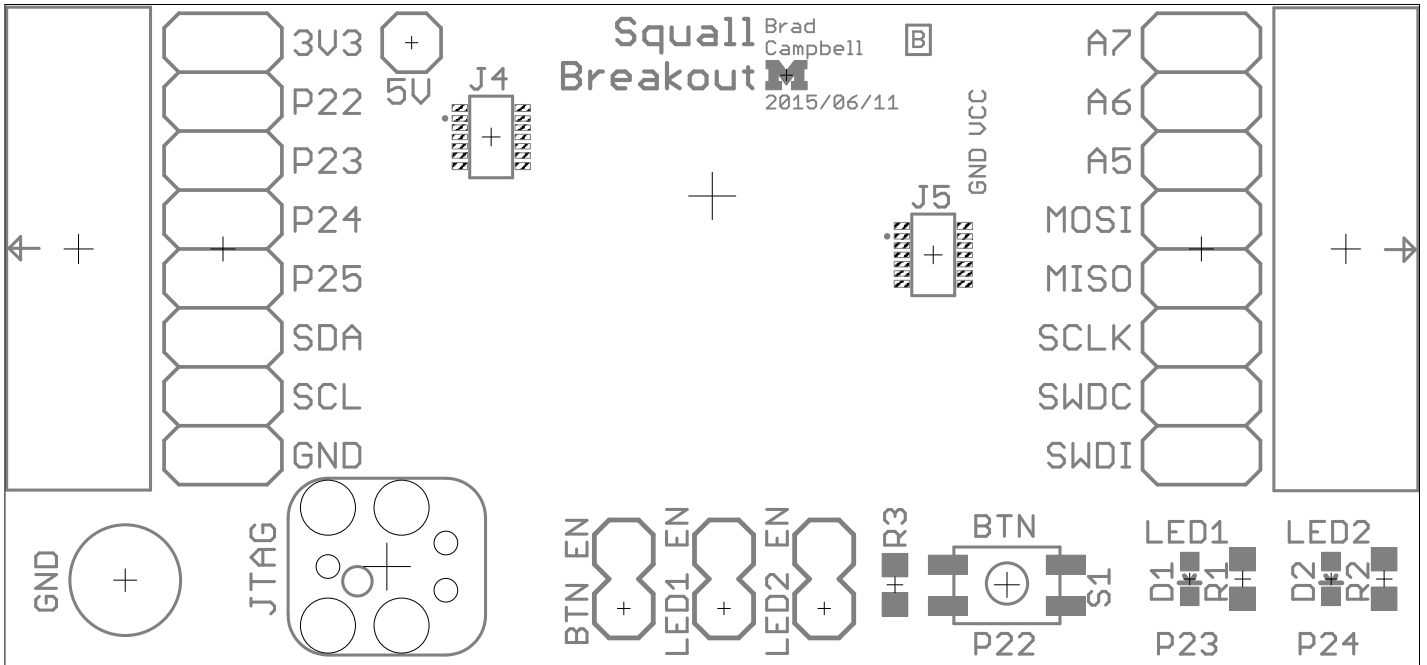


Top Copper Layer

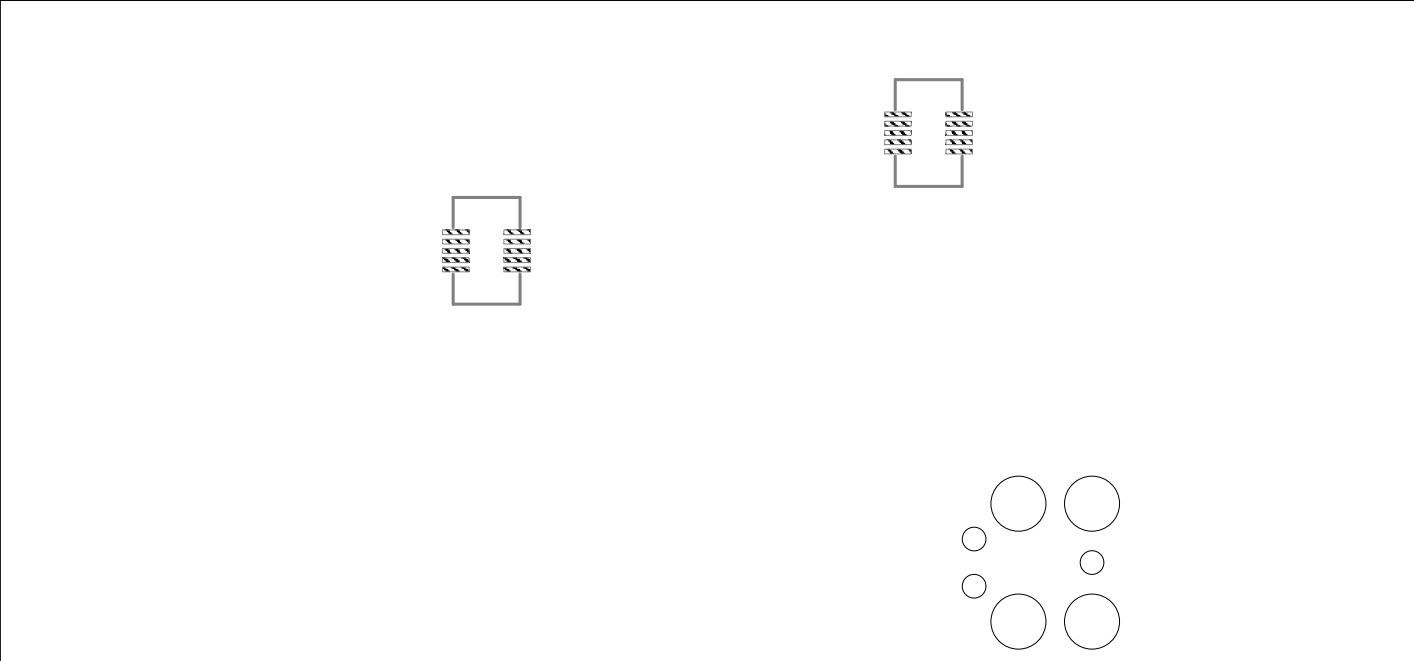


Bottom Copper Layer

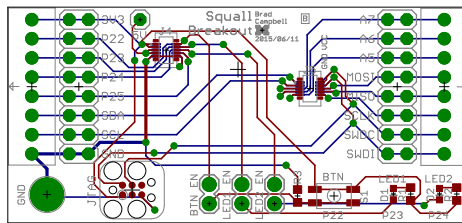




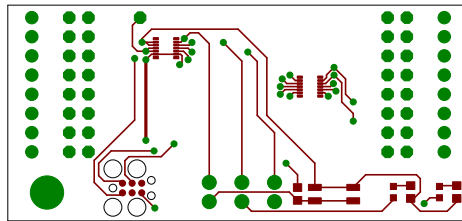
Bottom Paste Layer with Silkscreen



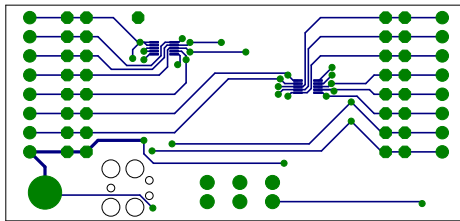
Top and Bottom Layers 1:1 Scale



Top Layer 1:1 Scale



Bottom Copper Layer 1:1 Scale



Sheet1

Qty	Value	Device	Package	Parts
2		LED0603	LED-0603	D1, D2
2	SQUALL_HEADER	SQUALL_HEADER	SQUALL_HEADER	J1
2		PINHD-2X8	2X08	J2, J3
2	HIROSE-DF40C-10DP-0.4V	HIROSE-DF40C-10DP-0.4V	2X5/SMD/0.4MM	J4, J5
1		PINHD-1X1	1X01	J6
2	SCREW-TERMINAL_8_0.100	SCREW-TERMINAL_8_0.100	CONN_BLOCK_8	J7, J8
3		JUMPER-2PTH	1X02	J9, J10, J11
2	470	R-US_R0603	R0603	R1, R2
1	10k	R-US_R0603	R0603	R3
1	EVQP2	EVQP2	EVQP2	S1
1	TEST_POINT_0.112IN	TEST_POINT_0.112IN	TESTPOINT_0.112IN	TP1

Sheet1

Description	DIGIKEY	MOUSER
LEDs		
Header for a sensor board on top of the Squall BLE tag board.	H11617CT-ND	
PIN HEADER	609-3364-ND	649-68602-116HLF
DF40 Series Header - 0.4MM Pitch	H11616CT-ND	798-DF40C10DP0.4V51
PIN HEADER	A107006-ND	
8x 0.100 in screw terminal block	277-1279-ND	651-1725711
Jumper	3M9447-ND	
RESISTOR, American symbol		
RESISTOR, American symbol		
SWITCH TACTILE SPST-NO 0.02A 15V	P11084SCT-ND	
Solder terminal, turreted		

NEWARK

20M2833

68X2585

71C4111

40F6015