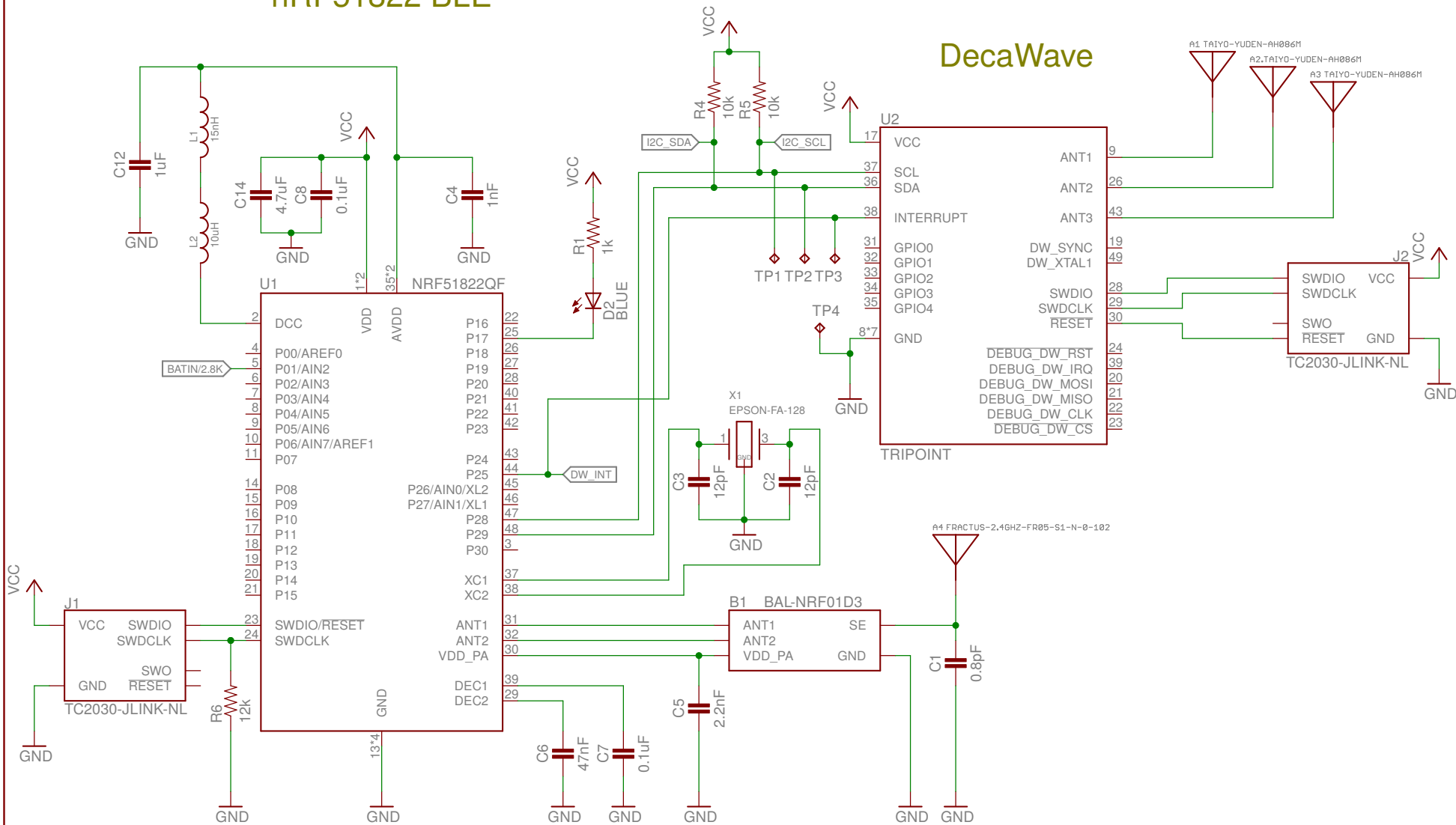




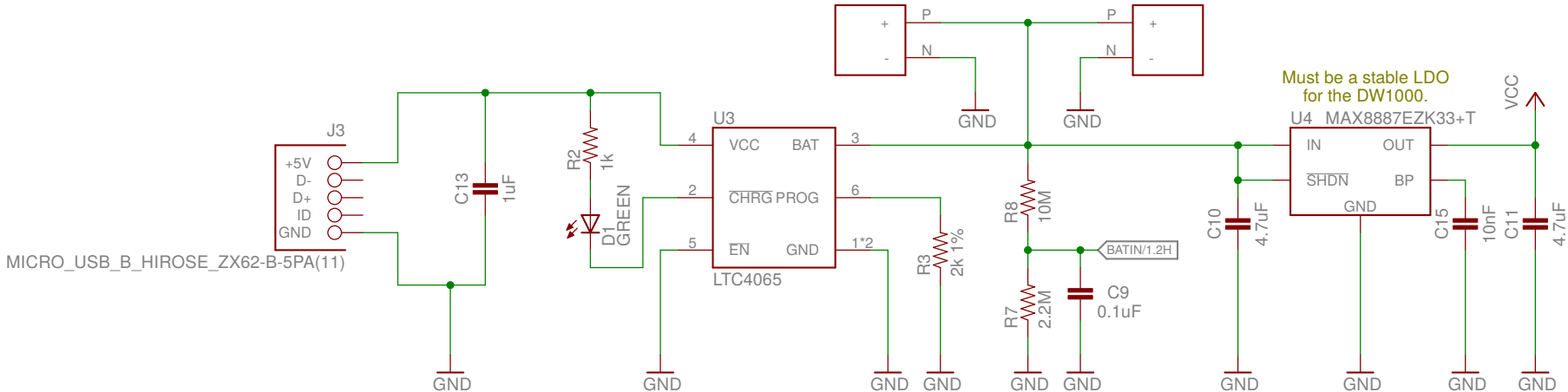
# nRF51822 BLE


# DecaWave



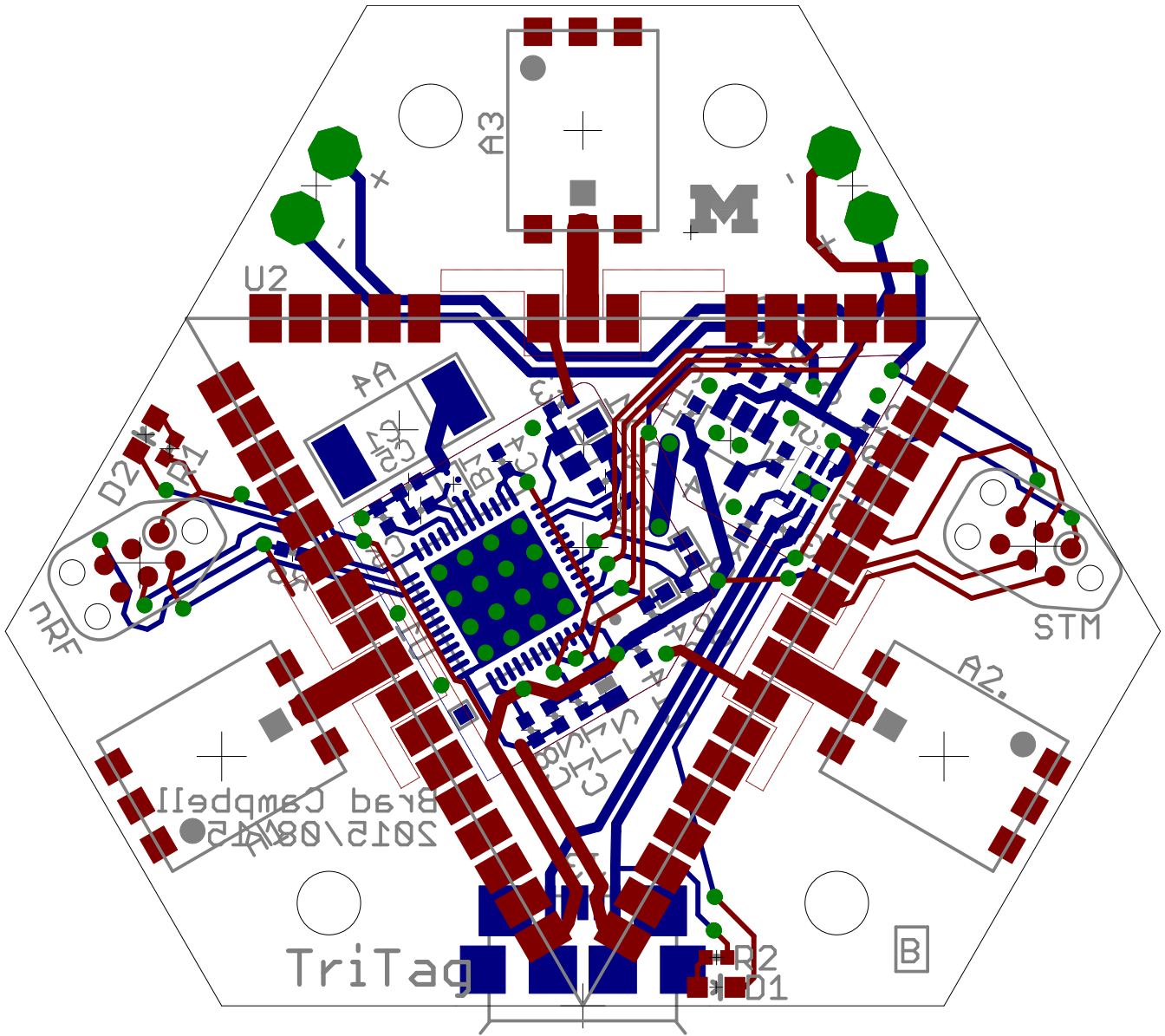
<b>M</b> TriTag	REV: A
	Author: Brad Campbell
	Date: 8/15/15 11:16 PM
Sheet: 1/2	

# Power Supply and Charging

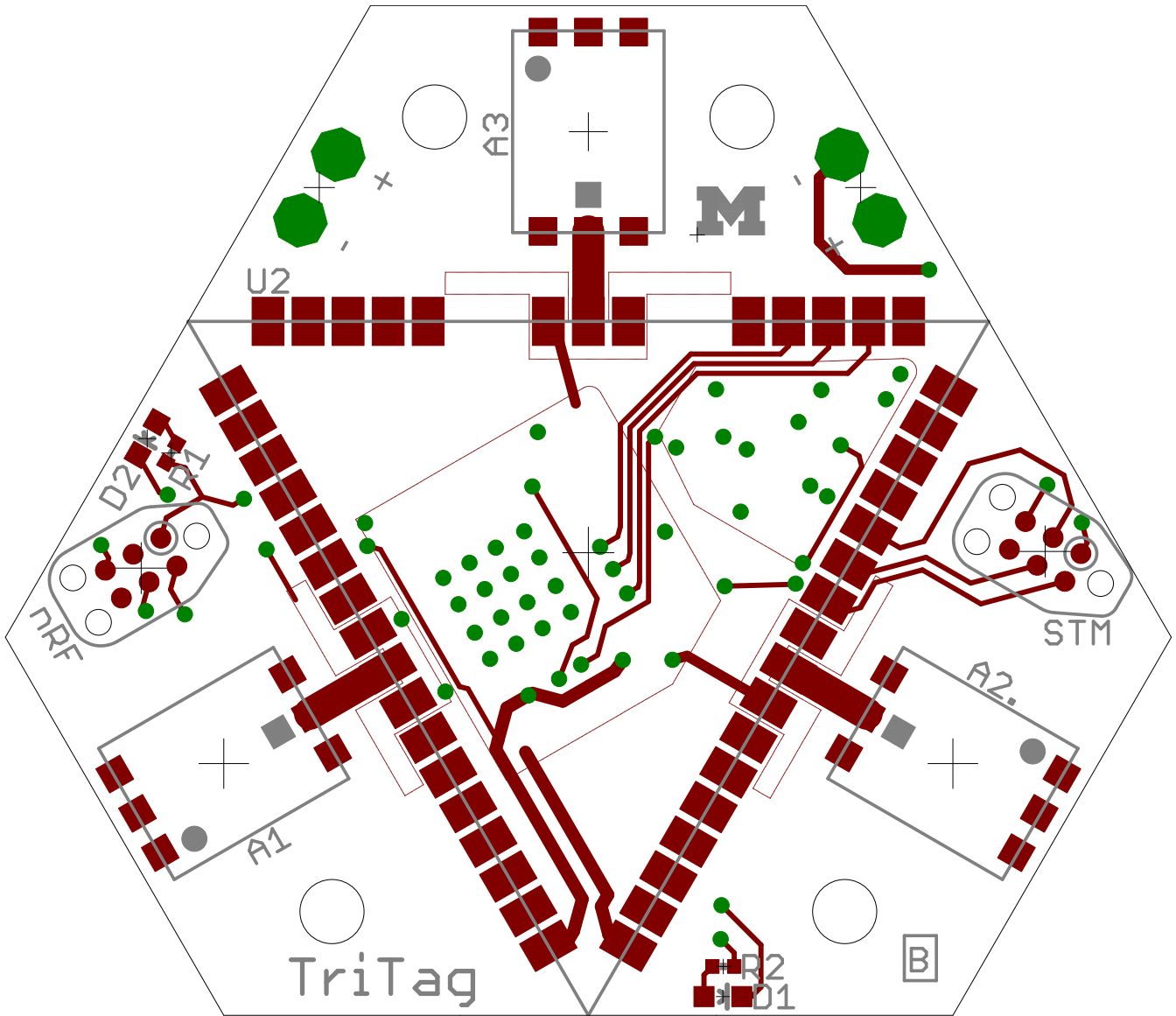


 <b>TriTag</b>	REV: A	
	Author: Brad Campbell	
	Date: 8/15/15 11:16 PM	Sheet: 2/2

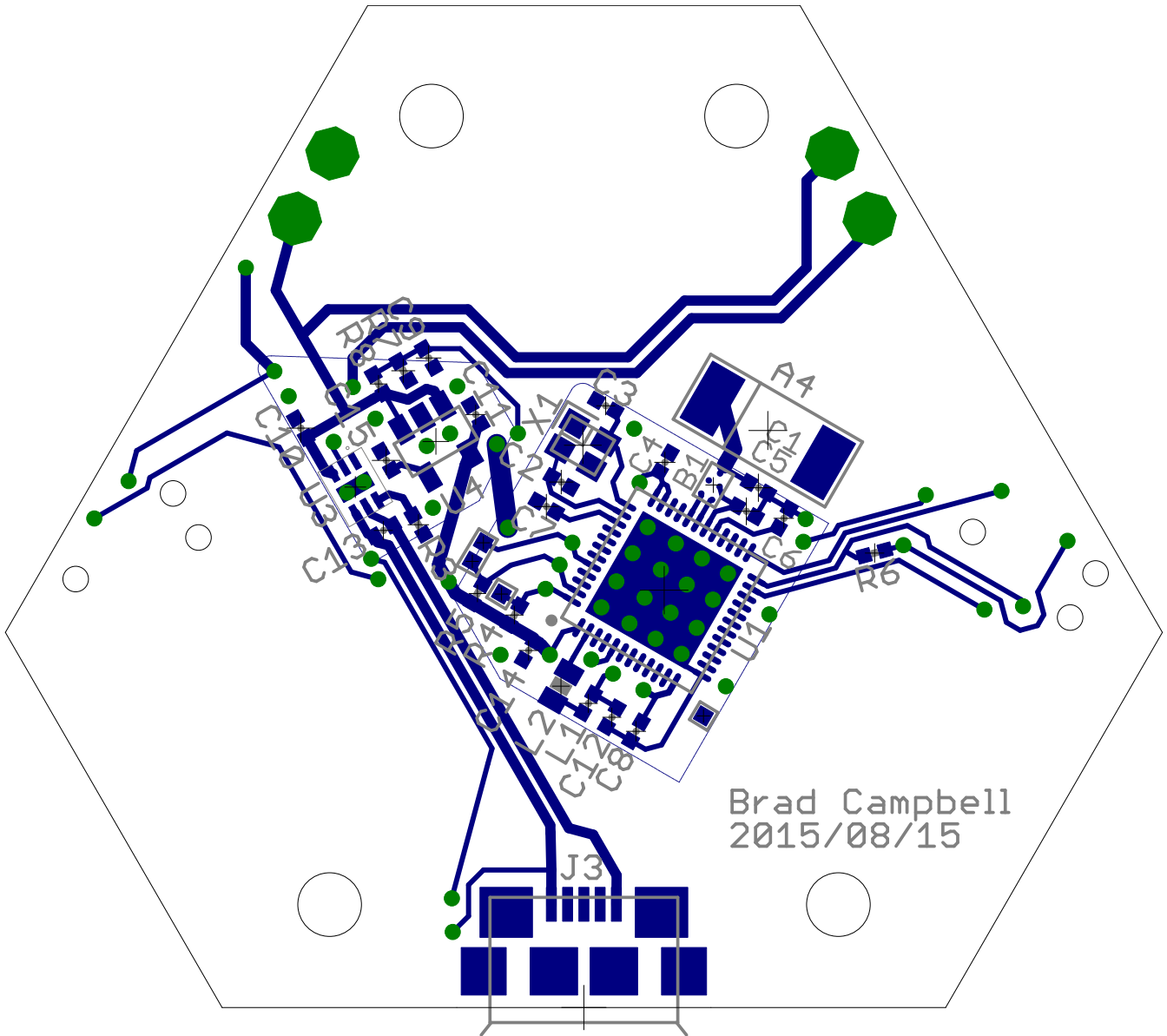
Top and Bottom Layers



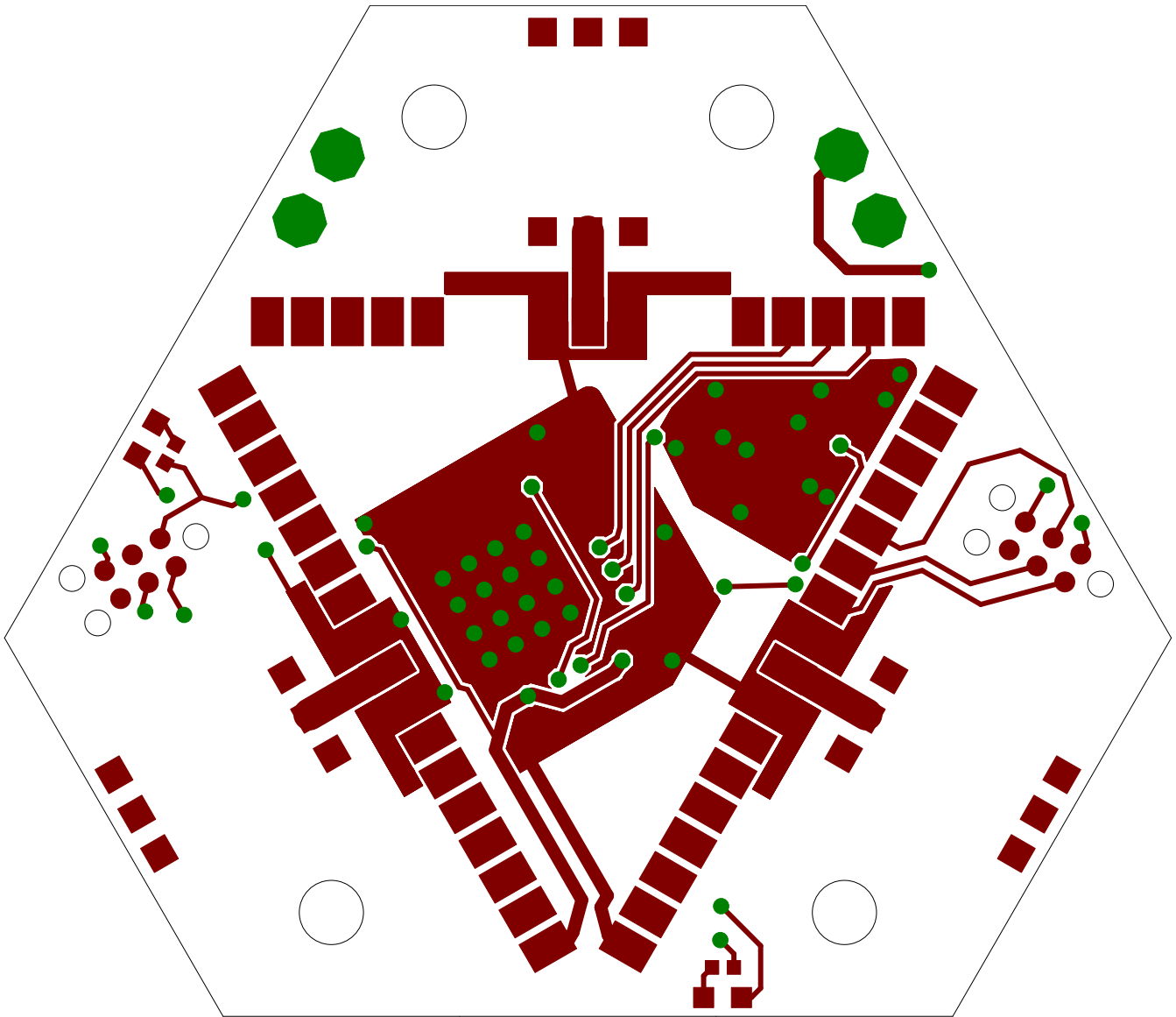
Top Layer



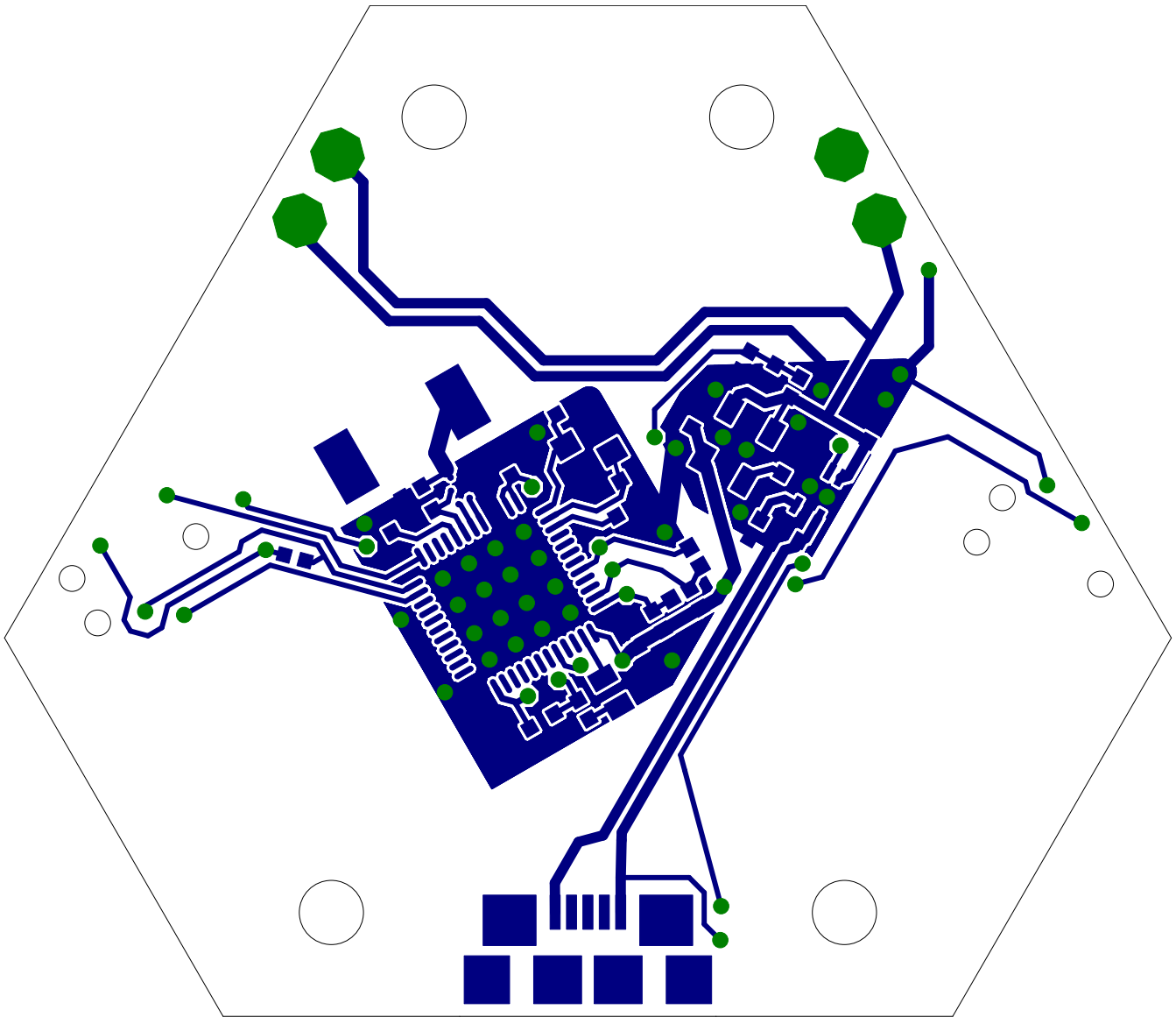
Bottom Layer



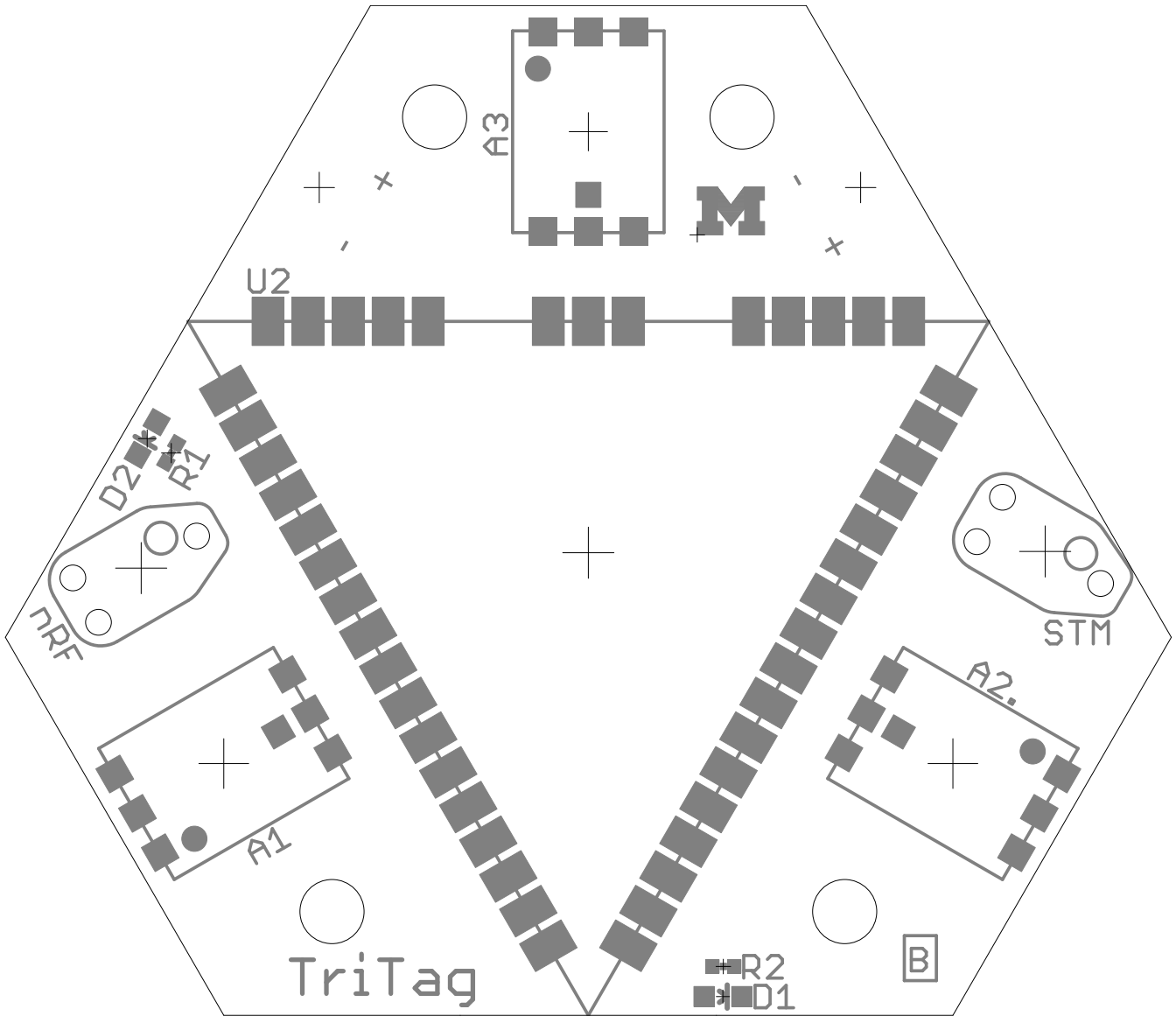
Top Copper Layer



Bottom Copper Layer

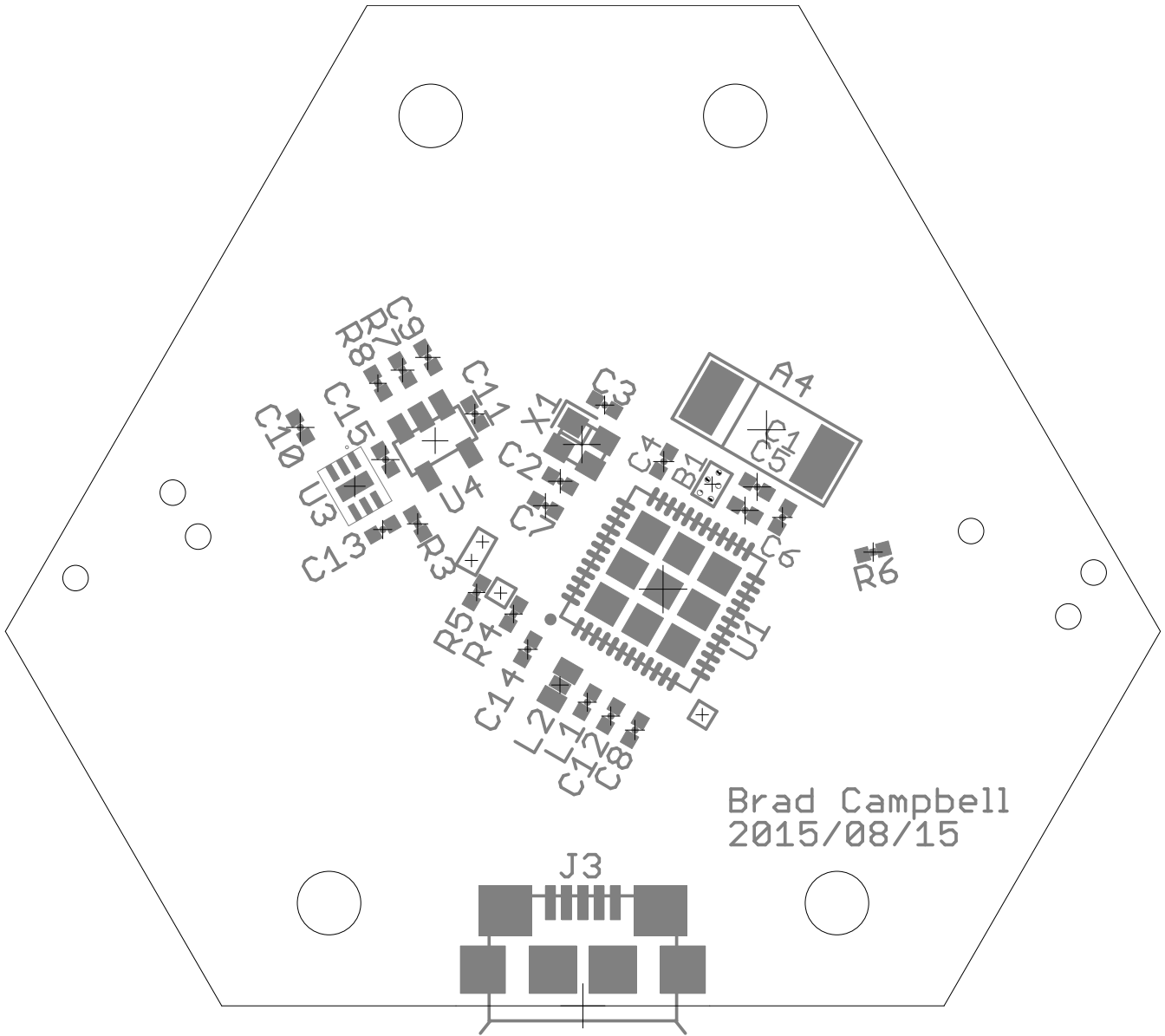


Top Paste Layer with Silkscreen

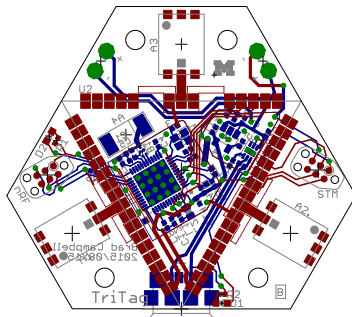




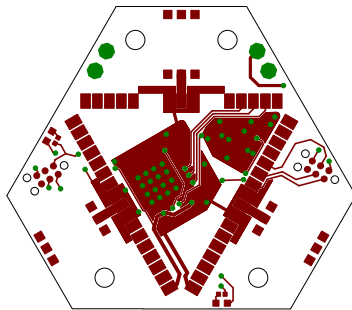
Bottom Paste Layer with Silkscreen



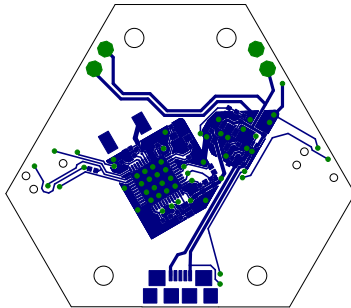
Top and Bottom Layers 1:1 Scale



Top Layer 1:1 Scale



Bottom Copper Layer 1:1 Scale



Sheet1

Qty	Value	Device
3	TAIYO-YUDEN-AH086M	TAIYO-YUDEN-AH086M
1	FRACTUS-2.4GHZ-FR05-S1-N-0-102	FRACTUS-2.4GHZ-FR05-S1-N-0-102
1	BAL-NRF01D3	BAL-NRF01D3
1	0.8pF	CAPACITOR
2	12pF	CAPACITOR
1	1nF	CAPACITOR
1	2.2nF	CAPACITOR
1	10nF	CAPACITOR
1	47nF	CAPACITOR
3	0.1uF	CAPACITOR
2	1uF	CAPACITOR
3	4.7uF	CAPACITOR
1	GREEN	LED0603
1	BLUE	LED0603
1	MICRO_USB_B_HIROSE_ZX62-B-5PA(11)	MICRO_USB_B_HIROSE_ZX62-B-5PA(11)
1	15nH	INDUCTOR0402
1	10uH	INDUCTOR0603
2	1k	RESISTOR0402_RES
1	2k 1%	RESISTOR0402_RES
2	10k	RESISTOR0402_RES
1	12k	RESISTOR0402_RES
1	2.2M	RESISTOR0402_RES
1	10M	RESISTOR0402_RES
1	NRF51822QF	NRF51822QF
1	TRIPOINT	TRIPOINT
1	LTC4065	LTC4065
1	MAX8887EZK33+T	MAX8887EZK33+T
1	16MHz	TXC-8Y

Sheet1

Package	Parts	Description
TAIYO-YUDEN-AH086M	A1, A2, A3	UWB Antenna - 3.1-8GHz
FRACTUS-ANTENNA-FR05-S1-N-0-102	A4	Fractus Compact Reach Xtend™ chip
BAL-NRF01D3	B1	50 ohm nominal input / conjugate matc
0402_CAP	C1	0402 Capacitor
0402_CAP	C2, C3	0402 Capacitor
0402_CAP	C4	0402 Capacitor
0402_CAP	C5	0402 Capacitor
0402_CAP	C15	0402 Capacitor
0402_CAP	C6	0402 Capacitor
0402_CAP	C7, C8, C9	0402 Capacitor
0402_CAP	C12, C13	0402 Capacitor
0402_CAP	C10, C11, C14	0402 Capacitor
LED-0603	D1	LEDs
LED-0603	D2	LEDs
USB_MICRO_B-HIROSE-ZX62-B-5PA(11)	J3	Connector Receptacle USB - micro B 2
0402_CAP	L1	INDUCTOR HI FREQ 15NH 5% 0402
0603_CAP	L2	INDUCTOR 10UH 50MA 0603
0402_RES	R1, R2	Resistor
0402_RES	R3	Resistor
0402_RES	R4, R5	Resistor
0402_RES	R6	Resistor
0402_RES	R7	Resistor
0402_RES	R8	Resistor
QFN-48-6MM	U1	Multiprotocol Bluetooth® 4.0 low energ 2
TRIPOINT	U2	UWB Ranging Module
DFN-6/2MM	U3	LION/LIPO Battery Charging IC Low ct
SOT-23-5	U4	IC REG LDO 3.3V 0.3A TSOT23-5
TXC-8Y	X1	CRYSTAL 16MHZ 8PF SMD

Sheet1

DIGIKEY	MOUSER	NEWARK RICHARDSON_RFPD
587-2204-1-ND		
) antenna is engineered specifically for Bluetooth,		FR05-S1-N-0102B
497-13637-1-ND	511-BAL-NRF01D3	
490-6269-1-ND		
490-6197-1-ND		
490-1303-1-ND		
490-5419-1-ND		
445-1260-1-ND		
445-1264-1-ND		
490-1318-1-ND		
445-4998-1-ND		
445-5947-1-ND		
160-1446-1-ND		
160-1837-1-ND		
H11634CT-ND	798-ZX62-B-5PA11	86P8793
587-1521-1-ND		
490-4025-1-ND		
RHM1.0KCECT-ND		
RHM2KCDCT-ND		
RHM10.0KCDCT-ND		
RHM12.0KCDCT-ND		
541-2.20MLCT-ND		
RHM10MBICT-ND		
1490-1042-1-ND	949-NRF51822-QFAB-R7	
LTC4065LEDC#TRMPBFCT-ND		
MAX8887EZK33+TCT-ND		
887-2003-1-ND		